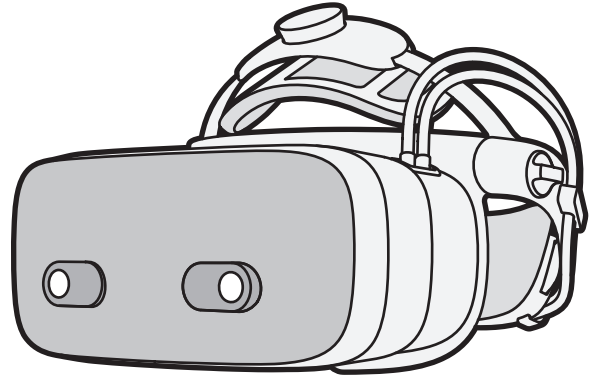
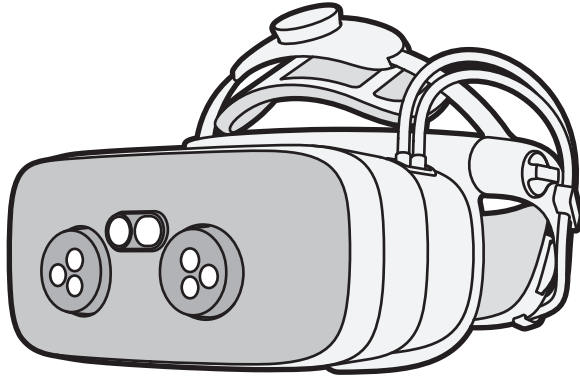




User guide

XR-3

VR-3



User guide

EN

Benutzerhandbuch

DE

Mode d'emploi

FR

Guía del usuario

ES

Manuale d'uso

IT

Käyttöohje

FI

Användarguide

SV

ユーザーガイド

JA

사용자 설명서

KO

使用指南

TW

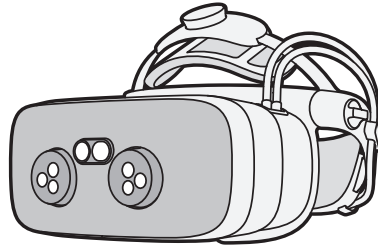
מדריך למשתמש

HE

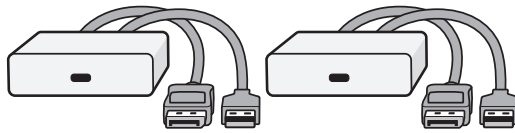
In the box

XR-3

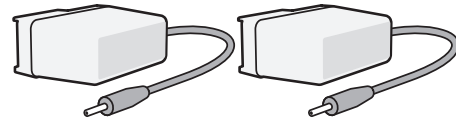
mixed reality headset



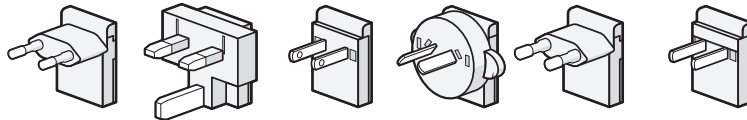
2 headset adapters



2 power supply units



6 power plugs, 2 of each



EURO

UK

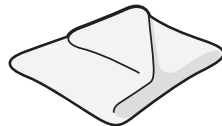
US

AUS

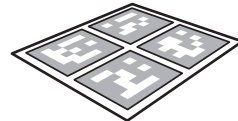
KOR

CHN

Cleaning cloth

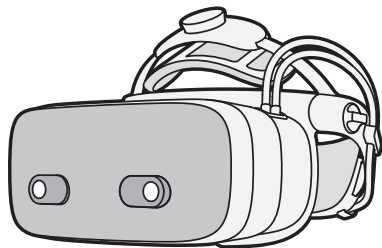


Varjo reference marker

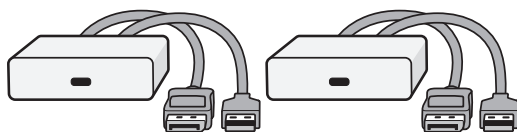


VR-3

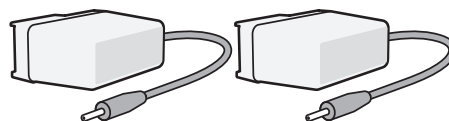
virtual reality headset



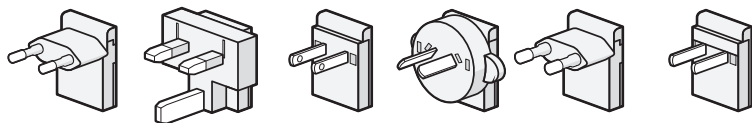
2 headset adapters



2 power supply units



6 power plugs, 2 of each



EURO

UK

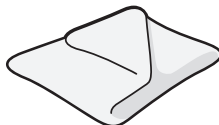
US

AUS

KOR

CHN

Cleaning cloth

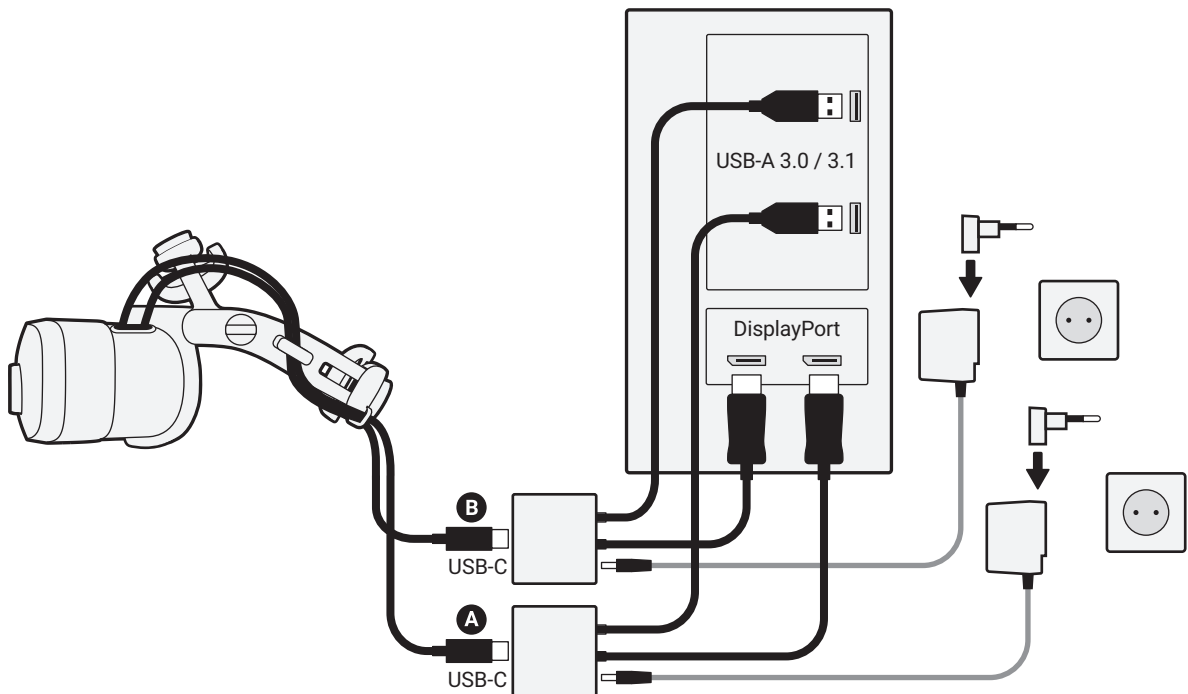


Connect the headset

Varjo headsets are compatible with Windows computers.

1. **A** and **B** : Connect each headset cable to a headset adapter.
2. Headset adapters: Connect each adapter to a DisplayPort port on the graphics card and to a USB-A 3.0 / 3.1 port on the motherboard.

For more detailed system requirements, see [varjo.com/start/system](https://www.varjo.com/start/system) .



Download Varjo Base

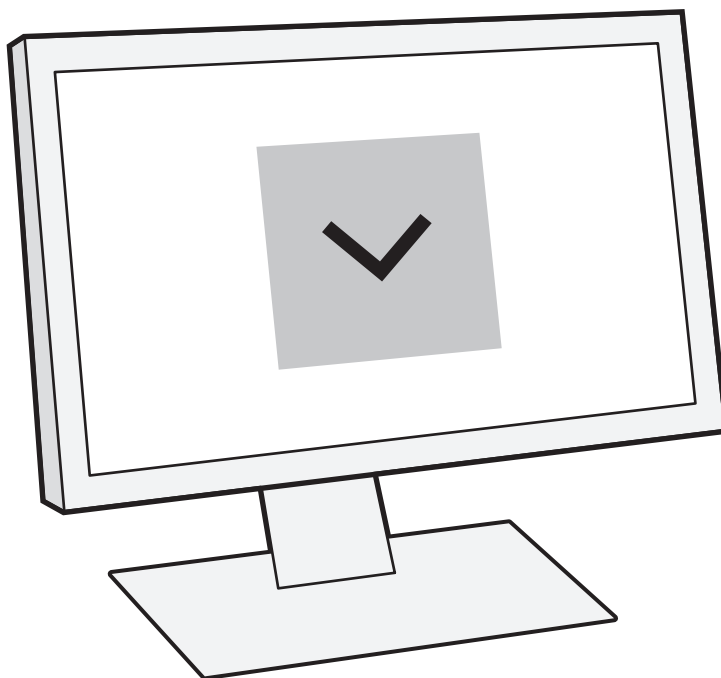
Varjo Base is the software used to run your headset on a Windows computer.

Download Varjo Base to get started.

1. Go to **varjo.com/start**.
2. Create a Varjo Account.
3. Download and start Varjo Base.
4. Follow the setup instructions.

You will need a valid subscription to use your headset.

Read more at **varjo.com/subscriptions**.



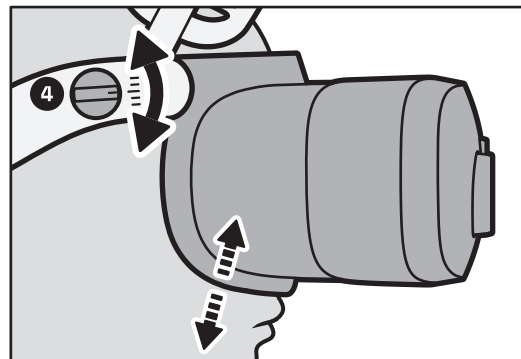
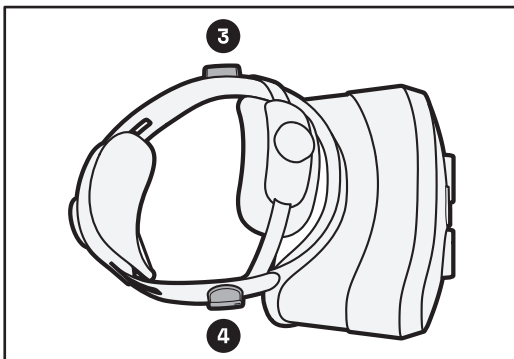
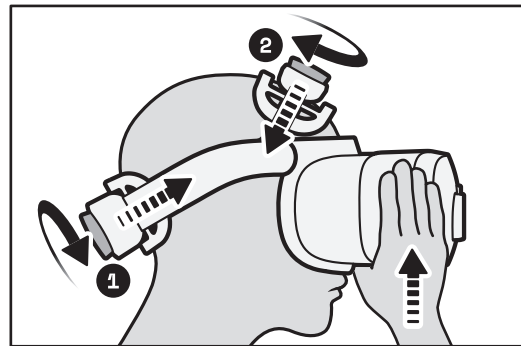
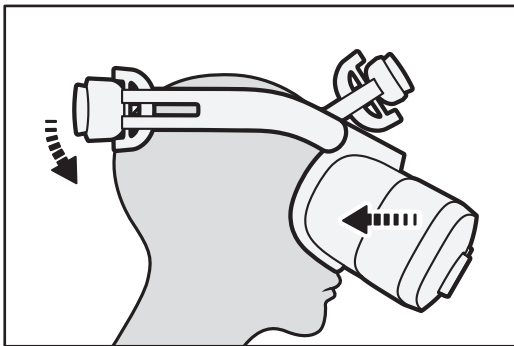
Put on the headset

To put on the headset, place the front of the headset on your face and pull the headband over the back of your head. You can wear most single-vision eyeglasses while using the headset.

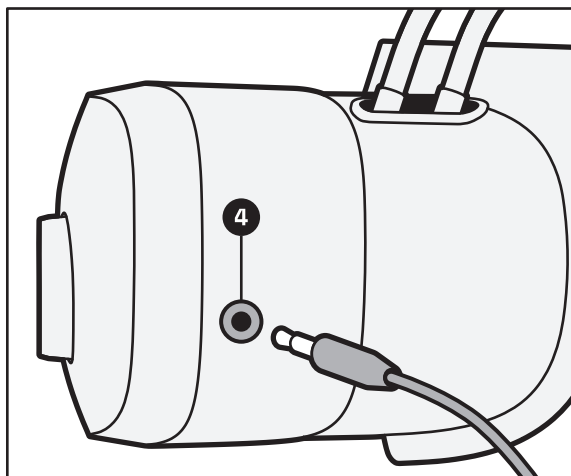
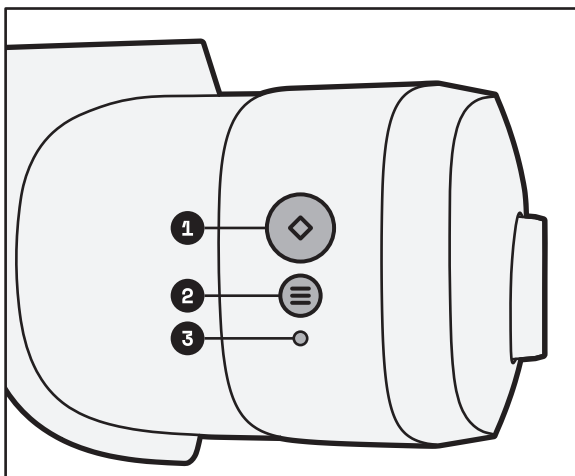
Adjust the fit and comfort of the headset when you put it on:

- ① : Rotate the back adjustment wheel to tighten the headband.
- ② : Rotate the front adjustment wheel to move the headset up or down on your head. Support the headset body with one hand while adjusting.
- ③ and ④ : Use the side knobs to adjust how the headset fits around your face.

The headset is correctly adjusted when it sits comfortably on your head and the image inside the headset is sharp.



Using the headset



1 Action button: interact with your applications

2 Menu button: open the Menu

3 LED status light

4 Headphone connector

| LED pattern | Headset status |
|------------------|------------------------|
| White (blinking) | Starting up |
| Green (solid) | Working normally |
| Green (pulsing) | Idle |
| Green (blinking) | Shutting down |
| Orange (solid) | Varjo Base not running |

Cleaning the headset

Clean the headset regularly, especially when sharing a headset with others.

Headset lenses: clean gently with optical lens wipes or a microfiber lens cloth.

Headset body, cushions, nose area, and areas surrounding the lenses: clean with non-abrasive antibacterial wipes.

You can purchase additional cushions from Varjo Store.

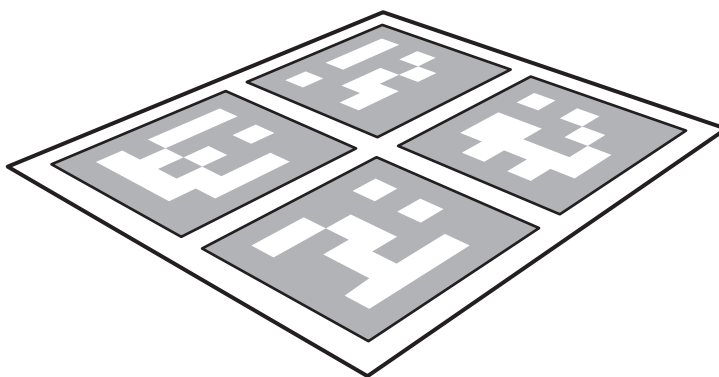


Using the Varjo reference marker

Use the Varjo reference marker to improve the accuracy of Varjo inside-out tracking.

Varjo inside-out tracking is available for the Varjo XR-3 mixed reality headset.

For more information, visit [varjo.com/start/get-to-know-your-headset](https://www.varjo.com/start/get-to-know-your-headset) .



Product and safety information

Intended use

The headset is intended to be used indoors and by adults only. If you do not use the headset as intended, it may cause the headset to malfunction.

High-risk use

Varjo software and/or products are not designed, engineered, or certified for control of any equipment or system, including aviation, industrial, commercial, military, or medical equipment or systems, in a way where such use or a malfunction of the software or products could with a meaningful probability lead to death or serious bodily injury of any person or animal, or to severe physical or environmental damage ("high-risk use"). VARJO STRONGLY ADVISES AGAINST USING THE SOFTWARE OR PRODUCTS FOR ANY HIGH-RISK USE. If you still decide to use the software and/or products for high-risk use, you do so at your own risk, assume all liability, and agree to take all reasonable precautions to minimize any risk and damage resulting from such high-risk use and/or failure of software and/or products in such high-risk use.

Product type label

The model name and serial number of the headset are printed on the type label located on the back support of the headband.

Health and safety warnings

To reduce the risk of personal injury, discomfort, or property damage, please ensure that all users of the headset carefully read the warnings below before using the headset.

Before using the headset

A comfortable mixed or virtual reality experience requires an unimpaired sense of motion and balance. Do not use the headset if you are sick, tired, sleepy, under the influence of alcohol or drugs, hungover, experiencing digestive problems, under emotional stress or anxiety, suffering from cold, flu, migraines, or headaches, or are not generally feeling well, as it may worsen your condition. Consult a doctor before using the headset if you have any conditions that impair your vision or mobility, are pregnant or elderly, have a heart or other serious medical condition, or suffer from seizures, migraines, or psychiatric conditions.

Safe environment

Varjo headsets produce an immersive mixed or virtual reality experience that may distract you and make it hard to see your actual surroundings.

- Remember that any virtual objects that you see do not exist in the real environment, and their size and location are not real. Do not attempt to sit or stand on virtual objects or use them for support. Be aware of any real-world objects that might be located behind virtual objects.
- Never use the headset in situations that require attention, such as while walking, bicycling, or driving. Do not use the headset while in a moving vehicle.
- Remember that while you are using the headset, you may be unaware of people entering the area.
- Before using the headset, clear the area of obstacles and hazards, people, furniture, and any other items that may prevent you from moving freely. Also, check that you have enough space above and around you so that you can extend your arms while using the headset.
- Do not use the headset near walls, stairs, balconies, windows, open doorways, low ceilings, ceiling fans, light fixtures, breakable items, open flames, heat sources, or any other items that you can collide with or knock down.
- Keep in mind the location of the cables and power cords so that you do not walk on, trip over, or pull on them while using the headset. Do not jerk, knot, or bend the cables or cords.
- Do not handle sharp or otherwise dangerous objects while using the headset.

Discomfort

When using the headset, some people may experience dry eyes, eye strain, eye or muscle twitching, involuntary movements, altered, blurred or double vision, or other visual abnormalities, dizziness, light headedness, disorientation, discomfort or pain in the head or eyes, headaches, impaired balance, impaired hand-eye coordination, excessive sweating, increased salivation, nausea, fatigue, loss of awareness, or seizures and other symptoms of motion sickness.

When you start to use the headset, keep your first sessions short and take regular breaks. If you feel discomfort, stop using the headset and continue only after the symptoms have ended. Do not drive, operate machinery, or engage in other visually or physically demanding activities until you have fully recovered from any symptoms. Consider consulting a doctor if you are not able to see virtual objects clearly and comfortably.

Overuse

Take regular breaks when using the headset. Prolonged use may impact your hand-eye coordination or balance and may cause other negative effects.

Repetitive stress injuries

Use the headset in a comfortable position. Do not use excessive force when gripping the headset or pressing the headset buttons. If you experience tingling, numbness, burning, stiffness, throbbing, or other discomfort, stop using the headset and rest until you have fully recovered from any symptoms. If you continue to experience these symptoms, consult a doctor.

Interference with medical devices

The headset may emit radio waves, which can affect the operation of nearby electronics, including cardiac pacemakers, hearing aids, and defibrillators. If you use a pacemaker or other implanted medical device, do not use the headset without first consulting a doctor or the manufacturer of your medical device. Maintain a safe distance between the headset and your medical devices and stop using the headset if you observe any interference with your medical device.

Hearing loss

Excessive exposure to loud sounds can cause hearing damage. When using headphones with the headset, start with the volume at a low level and increase the volume slowly if needed. Do not turn up the volume too high.

Seizures

Some people may experience severe dizziness, fainting, epileptic seizures, or blackouts triggered by light flashes, patterns, or exposure to infrared light sources of an eye tracker even though they have no history of these conditions. If you experience any of these symptoms, stop using the headset and consult a doctor. If you have a previous history with these symptoms, consult a doctor before using the headset. To reduce the likelihood of a seizure, do not use the headset if you are tired.

No eye protection

Varjo headsets do not provide eye protection against impact, debris, chemicals, UV light, other harmful lights, particles, projectiles, or other physical hazards.

Electrical shock

Do not try to disassemble, open, service, or modify the headset or power supply unit, as this can lead to electrical shock or other hazards and may damage the headset or the power supply unit. For PLUGGABLE EQUIPMENT, the socket-outlet shall be installed near the equipment and shall be easily accessible. Use the headset only with the power supply unit (Adapter Technology Co., Ltd. (ATS036T-W120V(Level VI)) INPUT Universal 100 ~ 240 Vac / 50 ~ 60 Hz, 1A, OUTPUT +12V / 0~3A and headset adapter included in the sales box. Using other power supply units may be dangerous.

CLASS 1 LASER PRODUCT

(Applicable only to the Varjo XR-3 mixed reality headset)

Damaged or broken device

Do not use the headset if any part is broken or damaged, the provided cables are torn, or any wires are exposed. Do not try to repair any part of the headset yourself. Repairs should be made only by an authorized service facility or Varjo.

Contagious conditions

To avoid the risk of transferring contagious conditions from one person to another, do not share the headset with persons with infections or diseases, particularly of the eyes, skin, or scalp.

Skin irritation

Stop using the headset if you experience swelling, itchiness, or other irritation. If the symptoms persist, consult a doctor.

Safety information

To prevent injury to yourself or others or damage to the headset, read this safety information before using the headset.

Wearing the headset

When you put on the headset for the first time, follow the instructions on how to position the headset correctly on your head. The headset is correctly adjusted when it sits comfortably on your head and the image inside the headset is sharp. There should be no pain or pressure on your head, and the cushion should feel comfortable on your face.

When you put on the headset, it will adjust the lenses automatically based on your interpupillary distance. This setting is on by default. We recommend that you keep the setting on. Switch off the setting if the automatic adjustment does not work for you, for example due to eyeglasses or any conditions that impair your vision. If you switch off the automatic adjustment, you may feel discomfort when using the headset.

Lighting

Use the headset in a well-lit environment to get the maximum performance from the cameras on the headset. Please be aware that reflective surfaces may interfere with positional tracking.

Care and maintenance

Handle the headset with care and keep it in a clean and dust-free place.

Sunlight and external light sources

Do not leave the headset in direct sunlight or strong ultraviolet light. Exposure to direct sunlight can damage the optics and display. Do not shine a laser or an external light source through the lenses.

Damage

- Do not drop or bend the headset or knock it against other objects, as this may affect the calibration of the camera lenses.
- Do not scratch the camera lenses.
- Lift the headset by holding the headset body or the headband.
- Do not lift the headset by holding the cushions or cables.
- Do not step on the cables.

Damage requiring service

Use only qualified personnel to service the headset. Contact an authorized service facility if:

- The headset has been exposed to liquid or dropped.
- The headset has been subjected to impact or is damaged.
- The headset overheats.
- The headset does not operate normally when you follow the operating instructions.

Cleaning

Unplug the headset from its power source before cleaning. Clean the headset body with non-abrasive anti-bacterial wipes. Do not use

soap, harsh chemicals, alcohol, cleaning solvents, liquid cleansers, or aerosols. Never use water to clean the headset. Clean the headset lenses and front plate gently with optical lens wipes or a microfiber lens cloth. Do not clean the lenses with any liquid or chemical cleansers. Clean the cushions with non-abrasive anti-bacterial wipes.

Device temperature

It is normal for the headset to feel warm to the touch while in use. The front-facing cameras and air ventilation surfaces in particular may get hot. Prolonged skin contact with a headset that is hot to the touch may cause skin discomfort or redness, or low temperature burns. If your headset feels hot to the touch or is uncomfortably warm, stop using it and allow the headset to cool down.

Accessories

Do not use the headset with any unauthorized or incompatible accessories or software. Using unauthorized accessories or software may cause performance issues or result in injury or damage. Check varjo.com/support for a list of compatible accessories or software.

Operating and storage environment

Placement

Use the headsets only in adequately ventilated areas.

- Do not cover the headset.
- Do not cover the ventilation holes on top or at the bottom of the headset.
- Do not place the headset near objects that could scratch the lenses.
- Do not expose the headset to open flames or lit smoking products.
- Do not place the headset near heat sources, hot areas, or extreme temperatures.
- Do not use the headset near water or other liquids.
- Do not use the headset after a dramatic change in temperature. When you move the headset between environments with very different temperatures and/or humidity ranges, condensation may form on or inside the headset. Allow enough time for the moisture to evaporate before using the headset.

Note: When you move the headset from low-temperature conditions into a warmer environment or vice versa, allow the headset to acclimate to room temperature before you turn it on. Use the headset at temperatures between 10°C to 27°C (50° to 80°F). Store the headset in its sales box at temperatures between 0°C to 40°C (32°F

to 104°F) to minimize unintentional damage.

Radio frequencies

| Component | Rating | Frequency | Peak Output Power |
|-----------|---------|----------------|-------------------|
| Headset | 12V, 3A | 2.402–2.48 GHz | 1 mW |

Recycling

The Directive 2012/19/EU on Waste Electrical and Electronic Equipment (WEEE), which entered into force on 13th February 2003, resulted in a major change in the treatment of electrical equipment at end-of-life. Check the local regulations for proper disposal of electronic products.



The crossed-out wheelee bin symbol on your headset, battery, reading materials, or packaging reminds you to take all electrical and electronic products, batteries, and used packaging materials to separate collection at the end of their working life. Do not dispose of these products as unsorted municipal waste; take them for recycling. For info on your nearest recycling point, check with your local waste authority.

CE European Union notice

Hereby, Varjo declares that the HS-5 and HS-6 headsets are in compliance with Directive 2014/53/EU. The full text of the EU declaration of conformity is available at the following internet address: varjo.com/compliance.

Note: This equipment has been tested and found to comply with the limits for Criterion C.

A direct ESD discharge of +/- 500V or more to the camera assembly can result in reduced functionality. The camera system may need to be restarted to restore full functionality.

FCC and ISED Information to the user

Note: This equipment has been tested and found to comply with the limits for a Class A digital device, pursuant to part 15 of the FCC Rules. These limits are designed to provide reasonable protection against harmful interference when the equipment is operated in a commercial environment. This equipment generates, uses, and can radiate radio frequency energy and, if not installed and used in accordance with the instruction manual, may cause harmful interference to radio communications. Operation of this equipment in a residential area is likely to cause harmful interference, in which

case the user will be required to correct the interference at their own expense.

This Class A digital apparatus complies with the Canadian standard ICES-003.



California Proposition 65

WARNING: Cancer - www.P65Warnings.ca.gov.

FCC and ISED Compliance statement

This device complies with part 15 of the FCC Rules and to RSS-247 of Innovation, Science and Economic Development Canada. Operation is subject to the following two conditions: (1) this device may not cause harmful interference, and (2) this device must accept any interference received, including interference that may cause undesired operation. Changes or modifications not expressly approved by the party responsible for compliance could void the user's authority to operate the equipment.

FCC and ISED Radiation Exposure statement

This equipment complies with FCC and Canadian radiation exposure limits set forth for an uncontrolled environment. These transmitters must not be co-located or operating in conjunction with any other antenna or transmitter.

RoHS compliance

This equipment is in compliance with Directive 2011/65/EU of the European Parliament and of the Council of 8 June 2011, on the restriction of the use of certain hazardous substances in electrical and electronic equipment (RoHS) and its amendments.

Japanese Radio Law Compliance

This device is granted pursuant to the Japanese Radio Law (電波法)

This device should not be modified (otherwise the granted designation number will become invalid)

Varjo Limited Business Warranty

VARJO PRODUCT IS INTENDED FOR BUSINESS USE AND IS NOT INTENDED TO BE SOLD TO CONSUMERS. THIS LIMITED BUSINESS WARRANTY GIVES YOU SPECIFIC LEGAL RIGHTS AND YOU MAY ALSO HAVE OTHER LEGAL RIGHTS WHICH VARY FROM STATE TO STATE AND COUNTRY TO COUNTRY.

1. Definitions

The following definitions apply to this Limited Warranty:

- “Varjo Product” means the Varjo headset and any accessories provided in the box at the time of the original purchase from an authorized retailer or Varjo (“Authorized Retailer”).
- “You” and “Your” refer to the original business user who bought the Varjo Product from an Authorized Retailer.
- “Warranty Period” is twelve (12) months from the date You purchased the Varjo Product from an Authorized Retailer.
- “Normal Use Conditions” means ordinary business use in accordance with the User Manual.
- “User Manual” means any and all use instructions, safety guidance and other documentation provided in the box or posted online by Varjo.

2. Coverage

Varjo warrants, exclusively to You, that during the Warranty Period the Varjo Product will function substantially in accordance with Varjo’s technical specifications under Normal Use Conditions. This Limited Warranty does not cover any software or other products required to use the Varjo Product which are not in the box at the time of the original purchase of the Varjo Product. Such products are subject to their own use or other terms, even if intended or labelled to be used together with the Varjo Product.

This Limited Warranty is valid and enforceable only if You purchased the new Varjo Product from an Authorized Retailer and the Varjo Product was sold to You in its original, sealed packaging. You may not assign or transfer this Limited Warranty to any third party, unless such restriction is prohibited by mandatory law.

If You return the Varjo Product during the Warranty Period and it satisfies the terms of this Limited Warranty, Varjo or its service partner will, at its sole discretion, repair or replace it.

Repair or replacement may involve the use of a functionally equivalent reconditioned Varjo Product and/or reconditioned parts, unless prohibited by law. When replacing the Varjo Product, Varjo may replace it with either the same model, or if not available, a model

which is nearest to the original model. Varjo or its service partner will at its own expense return the repaired or replacement Varjo Product to You. Any Varjo Product that You send to Varjo and that is replaced by Varjo becomes the property of Varjo.

If Varjo repairs or replaces the Varjo Product, the repaired or replaced Varjo Product shall continue to be warranted for the remaining time of the original Warranty Period or for three (3) months from the date of the repair or replacement, whichever is longer.

Repair or replacement of the Varjo Product is Your sole and exclusive remedy and Varjo’s sole obligation for any claims whatsoever or any losses resulting from the failure of the Varjo Product. If we determine, in our sole discretion, that none of the listed means is reasonable to fix the defect or malfunction, then we may refund to You the price You paid to purchase the Product.

This Limited Warranty is the final, complete and exclusive warranty offered by Varjo regarding the Varjo Product, and no other person or entity (including the Authorized Reseller) is authorized to make any other warranties or representations on behalf of Varjo. EXCEPT FOR THE EXPRESS LIMITED WARRANTIES PROVIDED IN THIS LIMITED WARRANTY, VARJO DISCLAIMS ALL OTHER EXPRESS AND IMPLIED WARRANTIES AND REPRESENTATIONS OF ANY KIND, INCLUDING ANY IMPLIED WARRANTY OF MERCHANTABILITY, AND FITNESS FOR A PARTICULAR PURPOSE. EXCEPT OTHERWISE PROVIDED IN THIS LIMITED WARRANTY, ALL VARJO PRODUCTS ARE PROVIDED “AS IS” AND “WITH ALL FAULTS”. If and to the extent that an implied warranty cannot be disclaimed, its duration is limited to the Warranty Period. If the mandatory law applicable to You does not allow limitations on how long an implied warranty lasts, this limitation may not apply to You.

In case you are not the original purchaser of the Varjo Product, this Limited Warranty does not apply to you. If the Warranty Period has expired, if the Varjo Product does not fulfill the conditions of this Limited Warranty or if You fail to make Your warranty claim in accordance with Section 5, this Limited Warranty does not apply. In case this Limited Warranty does not apply, Varjo may offer You out-of-warranty services against a fee and You may be responsible for any expenses related to the repair or replacement of Your Varjo Product.

3. How Can You Get Service?

If You have a problem with Your Varjo Product, please visit us at varjo.com/support to get assistance and contact information and to submit a claim form to obtain warranty service. If it is necessary for You to send Your Varjo Product in for service, we will provide You instructions on how to do this. You may be required to pay the

cost of shipping the Varjo Product to us. When we receive the Varjo Product, we will determine if there is a defect or malfunction covered by this Limited Warranty. If we find a defect or malfunction covered by this Limited Warranty, we will repair or replace the Varjo Product to provide You a Varjo Product that is substantially in accordance with Varjo's technical specifications under Normal Use Conditions and we will send the repaired Varjo Product or a replacement Varjo Product, if any, to You at our cost. We may not return the original Varjo Product to You. If You send us a Varjo Product without a valid proof of purchase, we will return the Varjo Product to You at Your cost, subject to prepayment, or, if such costs are not prepaid, we will keep the Varjo Product thirty (30) days waiting for Your pick-up before it is disposed of.

4. What is not covered?

This Limited Warranty does not cover and Varjo is not responsible for (i) used or resold Varjo Products; (ii) Varjo Products not purchased from Authorized Retailers; or (iii) any software (including but not limited to any software on the Varjo product and any PC software provided by Varjo).

Furthermore, this Limited Warranty does not cover and Varjo is not responsible for damage to the Varjo Product or loss of the Varjo Product or resulting from (i) an accident (e.g. accidental physical impact, exposure to liquid, food or other contaminants, etc.) or theft; (ii) use not in accordance with Normal Use Conditions or any other misuse (including but not limited to neglect, abuse or alteration); (iii) use with an unsuitable product not sold or licensed by Varjo; (iv) use with inadequate ventilation; (v) use by children; (vi) circumvention of our security mechanisms; (vii) reverse engineering; (viii) defects or damage from viruses or other software problems introduced into the Varjo Product; (ix) use of the Varjo Product in violation of any laws, regulations or ordinances in effect where the Varjo Product is used; (x) defects or damage caused by unauthorized repairs; (xi) Acts of God, including but not limited to lightning, flood, tornado, earthquake or hurricane; and/or (xii) cosmetic damages (e.g. scratches).

Additionally, this Limited Warranty does not cover and Varjo is not responsible for damage to the Varjo Product or loss of the Varjo Product resulting from normal wear and tear and normal depletion of consumable parts.

Finally, this Limited Warranty does not include any specific guarantees that the Varjo Product will be error-free or regarding uptime or continued availability, data security features of software or online accounts, or that any software, firmware or online sites will function uninterrupted or error-free. This Limited Warranty is void if the Varjo Product is returned with removed, damaged or tampered labels or any alterations (including the unauthorized removal of any

component or external cover). [This Limited Warranty does not cover data loss; it is Your responsibility to back up Your data, electronically or physically, on a regular basis if you wish to retain Your data. Any damages or costs related to data recovery, removal and installation are not recoverable under this Limited Warranty.]

5. Limitation of Liability

TO THE MAXIMUM EXTENT PERMITTED BY APPLICABLE LAW, NEITHER VARJO NOR ITS SUPPLIERS SHALL BE RESPONSIBLE FOR ANY INDIRECT, INCIDENTAL, CONSEQUENTIAL, PUNITIVE OR SPECIAL DAMAGES, INCLUDING BUT NOT LIMITED TO LOST PROFITS OR COMMERCIAL LOSS, BUSINESS INTERRUPTION, LOSS OF BUSINESS INFORMATION, LOSS OF DATA, LOSS OF PRIVACY, LOSS OF CONFIDENTIALITY, COST OF ANY REPLACEMENT GOODS OR SUBSTITUTE EQUIPMENT OR LOSS OF USE WHILE THE VARJO PRODUCT IS BEING REPLACED OR REPAIRED. TO THE MAXIMUM EXTENT PERMITTED BY APPLICABLE LAW, THE ENTIRE LIABILITY OF VARJO AND ITS SUPPLIERS UNDER THIS LIMITED WARRANTY SHALL BE LIMITED TO THE AMOUNT ACTUALLY PAID BY YOU FOR THE VARJO PRODUCT. THESE EXCLUSIONS APPLY EVEN IF A REMEDY FAILS OF ITS ESSENTIAL PURPOSE OR VARJO HAS BEEN ADVISED OF THE POSSIBILITY OF THESE DAMAGES, FOR ANY CLAIM ARISING FROM OR RELATED TO THIS LIMITED WARRANTY, REGARDLESS OF THE FORM OF ACTION, WHETHER IN CONTRACT, TORT (INCLUDING NEGLIGENCE), STRICT PRODUCT LIABILITY OR ANY OTHER CAUSE OF ACTION OR LEGAL OR EQUITABLE THEORY. Some states and countries do not allow the exclusion or limitation of incidental or consequential damages, so limitations or exclusions in this Limited Warranty may not apply to you.

No Varjo employee or representative or its affiliates or any third party is authorized to make any modification, extension or addition to the Limited Business Warranty or any part of these Terms.

6. General provisions

6.1 This Limited Warranty shall be subject to Finnish law, excluding its choice of law provisions. The UN Convention on Contracts for the International Sale of Goods shall not apply. Any dispute, controversy or claim arising out of this Limited Warranty shall be finally settled by arbitration in accordance with the Arbitration Rules of the Finland Chamber of Commerce. Seat of arbitration shall be Helsinki. The language of the arbitration shall be English.

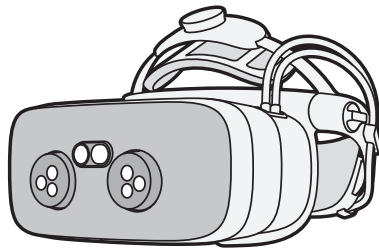
6.2 If any provision of this Limited Warranty is found to be illegal, invalid, or unenforceable under the laws of any jurisdiction, this will not affect the legality, validity, or enforceability of any other provision of the Limited Warranty.

Lieferumfang

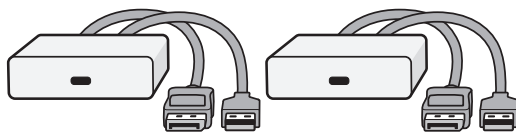
DE

XR-3

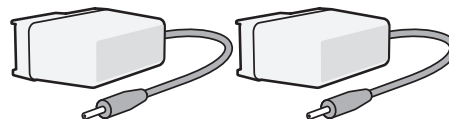
Mixed-Reality-Headset



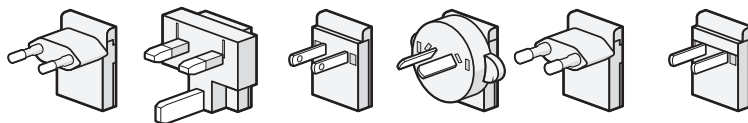
2 Headset-Adapter



2 Netzteile



6 Netzsteckeradapter (je 2 Stck.)



EURO

UK

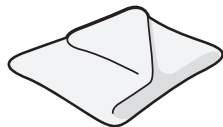
US

AUS

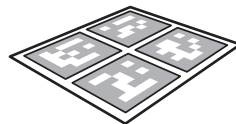
KOR

CHN

Reinigungstuch

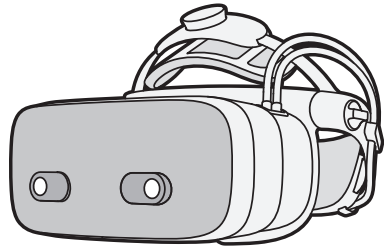


Varjo Referenzmarkierung

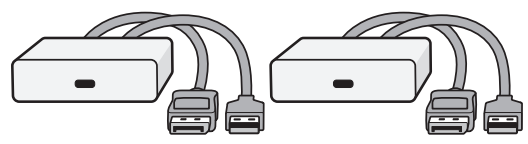


VR-3

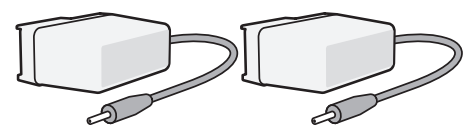
Virtual-Reality-Headset



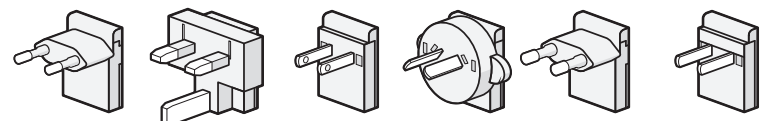
2 Headset-Adapter



2 Netzteile



6 Netzsteckeradapter (je 2 Stck.)



EURO

UK

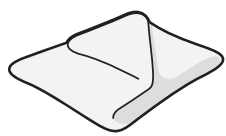
US

AUS

KOR

CHN

Reinigungstuch



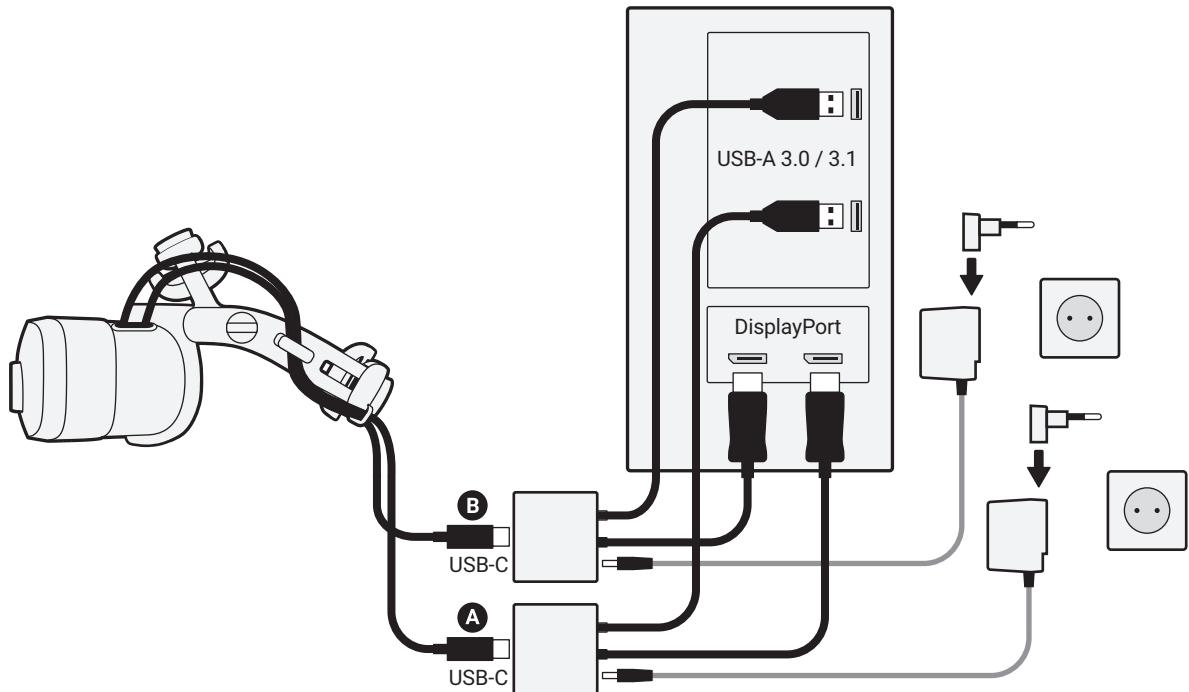
Anschließen des Headsets

Die Varjo Headsets sind mit Windows kompatibel.

DE

1. **A** und **B**: Verbinden Sie jedes Headset-Kabel mit einem Headset-Adapter.
2. Headset-Adapter: Verbinden Sie jeden Adapter mit einem DisplayPort der Grafikkarte und einem USB-A 3.0/3.1-Port des Motherboards.

Weitere detaillierte Systemvoraussetzungen finden Sie unter: [varjo.com/start/system](https://www.varjo.com/start/system) .



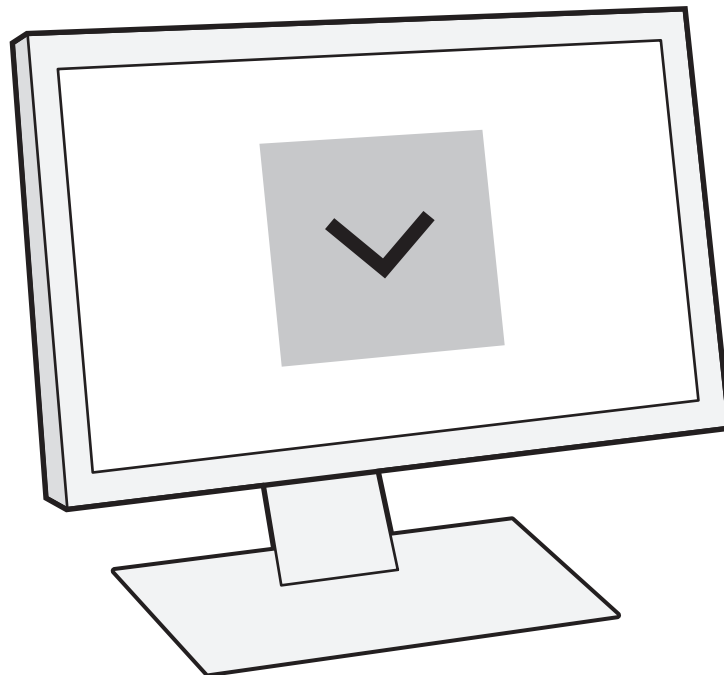
Herunterladen von Varjo Base

Varjo Base ist die Software, mit deren Hilfe das Headset auf einem Windows-Computer betrieben wird. Laden Sie zunächst Varjo Base herunter.

1. Rufen Sie **varjo.com/start** auf.
2. Erstellen Sie ein Varjo Konto.
3. Laden Sie Varjo Base herunter und starten Sie die Anwendung.
4. Folgen Sie den weiteren Anleitungen.

Sie benötigen für die Verwendung des Headsets ein gültiges Abonnement.

Weitere Informationen hierzu unter: **varjo.com/subscriptions** .



Aufsetzen des Headsets

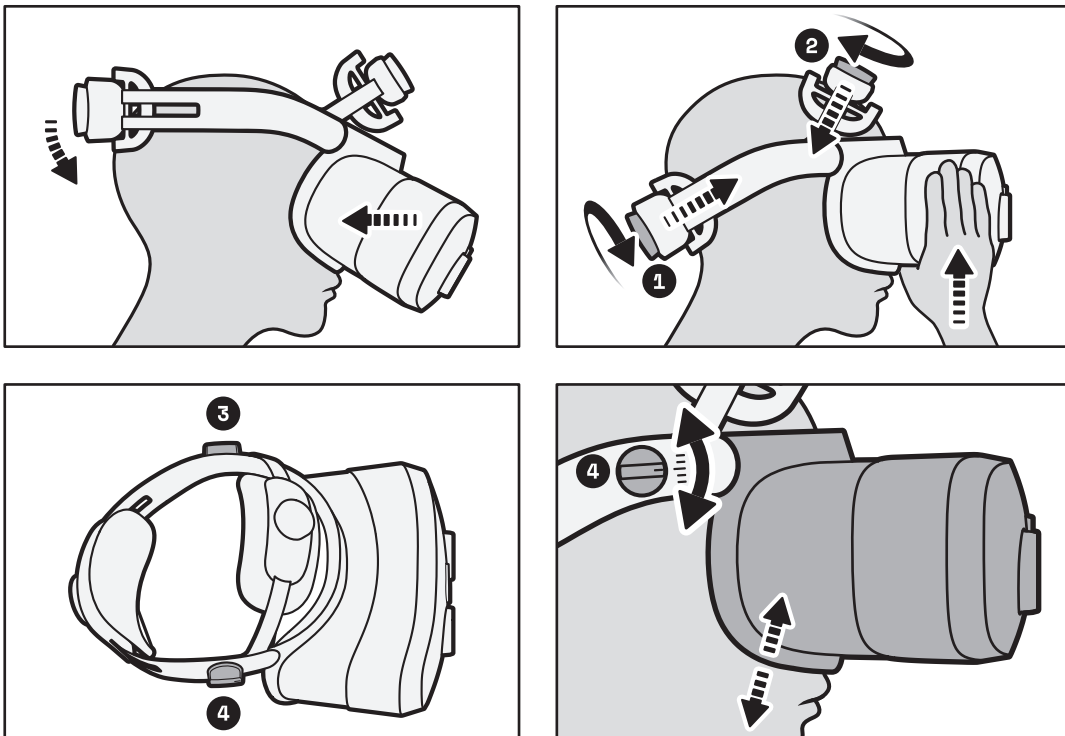
DE

Um das Headset aufzusetzen, platzieren Sie die Vorderseite des Headsets auf Ihrem Gesicht und ziehen das Halteband über die Rückseite Ihres Kopfs. Die meisten Einstärkenbrillen können zusammen mit dem Headset verwendet werden.

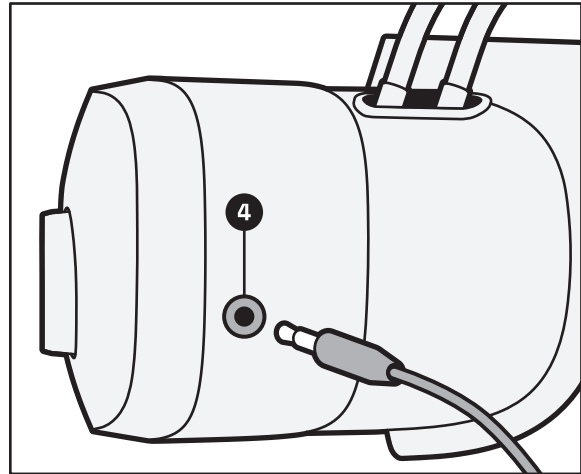
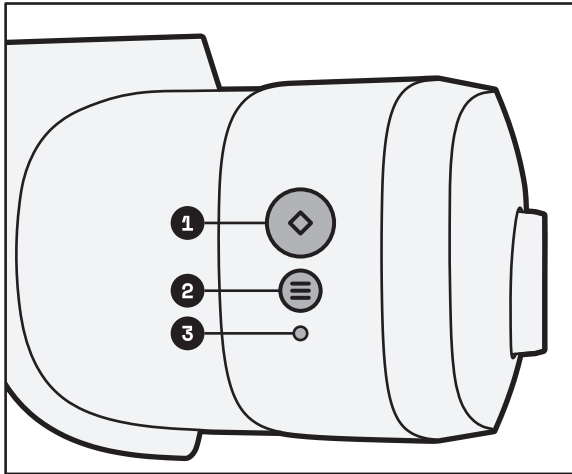
So stellen Sie das Headset passgerecht und bequem ein:

- 1**: Drehen Sie am hinteren Rad, um das Halteband festzuziehen.
- 2**: Drehen Sie am vorderen Rad, um die Höhe des Headsets nach oben oder unten zu verstellen. Halten Sie das Headset mit einer Hand fest, während Sie diese Einstellungen vornehmen.
- 3** und **4**: Verwenden Sie die seitlichen Einstellknöpfe, um den Sitz des Headsets am Gesicht anzupassen.

Das Headset ist richtig eingestellt, wenn es sich bequem tragen lässt und das angezeigte Bild scharf ist.



Verwenden des Headsets



DE

- ❶ Aktions-Taste: Steuern der Anwendungen
- ❷ Menü-Taste: Öffnen des Menüs
- ❸ LED-Statusanzeige

- ❹ Kopfhöreranschluss

| LED-Anzeige | Headset-Status |
|----------------------|------------------------|
| Weiß (blinkt) | Wird gestartet |
| Grün (durchgehend) | Normale Funktion |
| Grün (pulsierend) | Ruhezustand |
| Grün (blinkt) | Wird heruntergefahren |
| Orange (durchgehend) | Varjo Base nicht aktiv |

Reinigen des Headsets

Reinigen Sie das Headset regelmäßig, insbesondere, wenn Sie es mit anderen Personen teilen.

DE

Reinigen Sie die Headset-Linsen mit speziellen Brillenreinigungstüchern oder einem Mikrofasertuch.

Reinigen Sie das Headset-Gehäuse, die Polsterungen, die Nasenauflage und den Bereich um die Linsen herum mit weichen antibakteriellen Tüchern.

Zusätzliche Polsterungen sind im Varjo Store erhältlich.



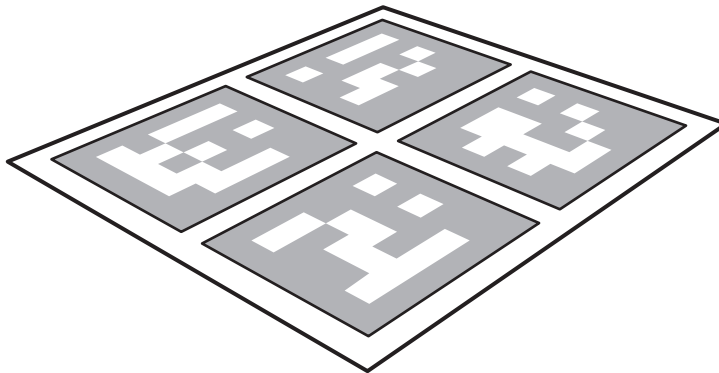
Verwenden der Varjo Referenzmarkierung

Mithilfe der Varjo Referenzmarkierung lässt sich das Inside-Out-Tracking des Varjo Headsets verbessern.

Das Varjo Inside-Out-Tracking ist für das Varjo XR-3 Mixed-Reality-Headset verfügbar.

Weitere Informationen dazu finden Sie unter: [varjo.com/start/get-to-know-your-headset](https://www.varjo.com/start/get-to-know-your-headset) .

DE



Produkt- und Sicherheitsinformationen

DE

Verwendungszweck

Das Headset ist nur für die Verwendung in Innenräumen und nur für Erwachsene vorgesehen. Bei nicht ordnungsgemäßer Verwendung kann es zu Fehlfunktionen des Headsets kommen.

Risikobehaftete Verwendung

Die Varjo Software und/oder Produkte sind nicht für Einsatz und Steuerung von Ausrüstungen oder Systemen, wie zum Beispiel in Luftfahrt-, Industrie-, Handels-, Militär- oder Medizin-Anwendungen und -Systemen, entwickelt, vorgesehen oder zertifiziert, wo eine falsche Verwendung oder Fehlfunktionen dieser Software und/oder Produkte zu schweren Verletzungen oder Tod von Menschen und Tieren sowie erheblichen physischen oder umweltbezogenen Schäden verursachen können („risikobehaftete Verwendung“). VARJO RÄT NACHDRÜCKLICH DAVON AB, DIE SOFTWARE UND/ODER DIE PRODUKTE FÜR RISIKOBEHAFTETE VERWENDUNGEN EINZUSETZEN. Wenn Sie dennoch entscheiden sollten, die Software und/oder Produkte für risikobehaftete Verwendungen einzusetzen, tun Sie dies auf eigenes Risiko und eigene Verantwortung und erklären sich einverstanden, entsprechende Vorsichtsmaßnahmen zu treffen, um jegliches Risiko und jegliche Schäden in Folge der risikobehafteten Verwendung und/oder einer Fehlfunktion der Software und/oder Produkte zu minimieren.

Produktkennzeichnung

Den Modellnamen und die Seriennummer des Headsets finden Sie auf dem Typenschild auf der Rückseite des Haltebands.

Gesundheit- und Sicherheitshinweise

Um das Risiko von Personenschäden, Unwohlsein oder Sachschäden zu minimieren, tragen Sie bitte dafür Sorge, dass alle Benutzer des Headsets vor der Nutzung die unten angeführten Warnhinweise lesen.



Vor der Verwendung des Headsets

Für ein zufriedenstellendes Mixed- oder Virtual-Reality-Erlebnis werden unbeeinträchtigte Bewegungs- und Gleichgewichtssinne benötigt. Verwenden Sie das Headset bitte nicht, wenn Sie

unter Übelkeit leiden, müde, schläfrig oder betrunken sind, unter dem Einfluss von Drogen oder deren Nachwirkungen stehen, an Verdauungs- oder emotionalen Problemen leiden, erkältet oder an Grippe erkrankt sind, unter Migräne oder Kopfschmerzen leiden oder sich generell unwohl fühlen, da sich dadurch Ihr Zustand verschlechtern könnte. Bitte konsultieren Sie vor dem Verwenden des Headsets einen Arzt, wenn Sie Probleme mit dem Sehvermögen oder der Mobilität haben, schwanger oder gebrechlich sind, einen Herzfehler oder andere schwerwiegende Gesundheitsprobleme haben oder unter Anfällen, Migräne oder psychischen Problemen leiden.



Sichere Gestaltung der Umgebung

Die Varjo Headsets bieten Ihnen ein Mixed- oder Virtual-Reality-Erlebnis, das Sie ablenken und dafür sorgen kann, dass Sie Ihre eigentliche Umgebung nicht korrekt wahrnehmen.

- Denken Sie bitte daran, dass alle virtuellen Objekte, die Sie sehen, nicht in der realen Umgebung existieren und ihre Größe und Position nicht real sind. Versuchen Sie nicht, sich auf virtuelle Objekte zu setzen, zu stellen oder zu stützen. Beachten Sie bitte, dass sich hinter den virtuellen Objekten reale Objekte verbergen können.
- Verwenden Sie das Headset niemals in Situationen, die Ihre volle Aufmerksamkeit verlangen, wie zum Beispiel im Gehen, beim Fahrradfahren oder beim Führen von Fahrzeugen. Verwenden Sie das Headset nicht in fahrenden Fahrzeugen.
- Denken Sie daran, dass Sie beim Verwenden des Headsets unter Umständen nicht bemerken, wenn andere Personen in den Einsatzbereich eintreten.
- Bitte sorgen Sie vor dem Verwenden des Headsets dafür, dass in dem gewählten Einsatzbereich keine Hindernisse, Menschen, Möbel oder anderen potentiell gefährlichen Dinge im Wege stehen. Sorgen Sie bitte zudem dafür, dass Ihnen in dem gewählten Einsatzbereich ausreichend Platz zur Verfügung steht, um die Arme auszustrecken, wenn Sie das Headset verwenden.
- Verwenden Sie das Headset nicht in der Nähe von Wänden, Treppen, Balkonen, Fenstern, offenen Türen, niedrigen Decken, Deckenventilatoren, Lampen, zerbrechlichen Gegenständen, offenen Flammen, Wärmequellen oder anderen Gegenständen, mit denen Sie zusammenstoßen oder die Sie umstoßen könnten.
- Achten Sie beim Verwenden des Headsets auf Strom- und andere Verbindungskabel, damit Sie nicht über diese stolpern oder auf sie treten oder sie aus ihrer Verbindung lösen. Die Strom- und anderen Verbindungskabel dürfen nicht Zugkräften ausgesetzt, verknotet oder geknickt werden.
- Hantieren Sie beim Verwenden des Headsets nicht mit scharfen oder anderen potenziell gefährlichen Gegenständen.

Unwohlsein

Bei der Verwendung des Headsets können einige Menschen unter folgenden Symptomen leiden: trockene Augen, gereizte Augen, Augen- oder Muskelzuckungen, unbeabsichtigte Bewegungen, veränderte, verschwommene oder verdoppelte Sicht und andere Abweichungen vom normalen Sehvermögen, Schwindel, Benommenheit, Orientierungslosigkeit, Augen- oder Kopfschmerzen, eingeschränkter Gleichgewichtssinn, Kopfschmerzen, eingeschränkte Auge-Hand-Koordination, übermäßiges Schwitzen, übermäßige Speichelbildung, Übelkeit, Müdigkeit, Bewusstlosigkeit, Anfälle oder andere Formen von Reisekrankheit.

Bei der anfänglichen Verwendung des Headsets sollten Sie die einzelnen Sitzungen kurz halten und regelmäßige Pausen einlegen. Wenn Sie sich beim Verwenden des Headsets unwohl fühlen, beenden Sie die Sitzung und fahren erst dann wieder fort, wenn diese Symptome abgeklungen sind. Sie sollten erst dann wieder ein Fahrzeug führen, Maschinen betreiben oder andere visuelle oder physisch anspruchsvolle Tätigkeiten aufnehmen, wenn die Symptome vollständig abgeklungen sind. Wenn Sie die virtuellen Objekte nicht deutlich und ohne Unwohlsein zu verspüren sehen können, sollten Sie einen Arzt konsultieren.

Übermäßige Verwendung

Legen Sie bei der Verwendung des Headsets regelmäßige Pausen ein. Eine übermäßige Verwendung kann zu Einschränkungen der Auge-Hand-Koordination oder des Gleichgewichts führen oder andere negative Effekte zur Folge haben.

Verletzungen durch wiederholte Belastung

Verwenden Sie das Headset in einer bequemen Haltung. Üben Sie keine übermäßige Kraft beim Halten des Headsets oder Drücken der Tasten des Headsets aus. Wenn Sie Kribbeln, Taubheitsgefühl, Brennen, Steifigkeit, Pulsieren oder andere Formen des Unwohlseins verspüren, sollten Sie die Verwendung des Headsets unterbrechen, bis sich diese Symptome wieder gelegt haben. Wenn diese Symptome anhalten, konsultieren Sie bitte einen Arzt.

Störung medizinischer Geräte

Das Headset kann Funkwellen freisetzen, welche die Funktion anderer elektrischer Geräte in der Nähe beeinträchtigen können. Hierzu zählen auch Herzschrittmacher, Hörgeräte und Defibrillatoren. Wenn Sie einen Herzschrittmacher oder andere implantierte

medizinische Geräte verwenden, konsultieren Sie bitte vor der Verwendung des Headsets erst einen Arzt oder den Hersteller des medizinischen Geräts. Sorgen Sie bitte für einen angemessenen Abstand zwischen dem Headset und Ihren medizinischen Geräten und beenden Sie die Verwendung des Headsets, wenn Sie Störungen Ihrer medizinischen Geräte bemerken.

Hörverlust

Übermäßiger Lautstärke ausgesetzt zu sein, kann zu Hörschäden führen. Wenn das Headset zusammen mit Kopfhörnern verwendet wird, sollte die anfängliche Lautstärke möglichst leise eingestellt sein und später angepasst werden. Vermeiden Sie es, die Lautstärke zu hoch einzustellen.

Anfälle

Manche Menschen können auch ohne vorherige bekannte Krankengeschichte unter heftigem Schwindel, Ohnmachtsanfällen, epileptischen Anfällen oder Blackouts leiden, wenn sie Lichtblitzen, bestimmten visuellen Mustern oder dem Infrarot-Licht des Eye-Trackers ausgesetzt werden. Wenn Sie entsprechende Symptome bemerken, sollten Sie die Verwendung des Headsets beenden und einen Arzt konsultieren. Wenn Sie entsprechende Symptome zuvor schon einmal erlebt haben, sollten Sie vor der ersten Verwendung des Headsets einen Arzt konsultieren. Um die Wahrscheinlichkeit von Anfällen zu minimieren, sollten Sie das Headset nicht verwenden, wenn Sie müde sind.

Kein Augenschutz

Die Varjo Headsets bieten keinen Schutz der Augen vor Fremdkörpern, Staub, Chemikalien, UV-Licht und anderen gefährlichen Lichtquellen, Partikeln, Projektilen oder anderen physikalischen Gefahren.

Gefahr durch elektrische Spannung

Versuchen Sie nicht, das Headset oder das Netzteil zu demontieren, zu öffnen oder zu modifizieren, da dies zu Stromschlägen oder anderen Gefahren führen und zudem Schäden am Headset oder dem Netzteil verursachen kann. Bei ZUBEHÖR MIT ANSCHLUSSMÖGLICHKEITEN sollte sich die Steckdose in der Nähe des Zubehörs befinden und gut zugänglich sein. Nutzen Sie das Headset nur mit dem mitgelieferten Netzteil (Adapter Technology Co. Ltd., ATS036T-W120V, Level VI, EINGANG universal 100 ~ 240 V Wechselspannung / 50 ~ 60 Hz, 1 A, AUSGANG +12V / 0~3 A) und dem mitgeliefertem Headset-Adapter. Die Verwendung anderer Netzteile stellt ein Gefahrenrisiko dar.

LASERPRODUKT KLASSE 1

(Gilt nur für das Varjo XR-3 Mixed-Reality-Headset.)

! Schäden am Gerät

Bei jeglichen Schäden am Headset sowie gebrochenen oder herausstehenden Kabeln darf das Gerät nicht verwendet werden. Versuchen Sie nicht, Schäden am Headset selbst zu reparieren. Reparaturen dürfen nur von autorisierten Dienstleistern oder Varjo durchgeführt werden.

! Infektionsgefahr

Um das Risiko von Infektionsübertragungen von Person zu Person zu minimieren, sollten Sie das Headset nicht mit Personen teilen, die unter ansteckenden Krankheiten leiden, insbesondere an Augen, Haut und Kopf.

! Hautirritationen

Beenden Sie die Verwendung des Headsets, wenn Sie Schwellungen, Reizungen oder andere Hautirritationen bemerken. Wenn die Symptome anhalten, sollten Sie einen Arzt konsultieren.

Sicherheitsinformationen

Um das Risiko von Personenschäden und Sachschäden am Headset zu minimieren, lesen Sie bitte vor der Nutzung die Sicherheitsinformationen.

Tragen des Headsets

Wenn Sie das Headset zum ersten Mal anlegen, beachten Sie bitte die Anleitungen zur korrekten Positionierung des Headsets auf dem Kopf. Das Headset ist richtig eingestellt, wenn es sich bequem tragen lässt und das angezeigte Bild scharf ist. Dabei sollten sie keine Schmerzen und keinen Druck verspüren und die Polsterung sollte bequem auf dem Gesicht anliegen.

Wenn Sie das Headset angelegt haben, werden die Linsen automatisch anhand des Abstands zwischen Ihren Pupillen eingestellt. Diese Einstellung ist standardmäßig aktiviert. Wir empfehlen, diese Einstellung beizubehalten. Deaktivieren Sie diese Einstellung, wenn die automatische Abstandsanpassung bei Ihnen nicht funktioniert, z. B., weil Sie eine Brille tragen oder ein aufgrund anderer Umstände eingeschränktes Sehvermögen haben. Wenn Sie die automatische Abstandsanpassung deaktivieren, besteht die Möglichkeit, dass Sie beim Verwenden des Headsets Unwohlsein verspüren.

Lichtverhältnisse

Verwenden Sie das Headset in einer gut beleuchteten Umgebung, um die bestmögliche Leistung der Headset-Kameras zu gewährleisten. Bitte denken Sie daran, dass reflektierende Oberflächen das Positionstracking stören können.

Pflege und Wartung

Verwenden Sie das Headset mit Umsicht und bewahren Sie es an einem sauberen und staubfreien Ort auf.

Sonnenlicht und externe Lichtquellen

Setzen Sie das Headset nicht direktem Sonnenlicht oder starkem ultravioletten Licht aus. Die optischen Komponenten und das Display können beschädigt werden, wenn sie direktem Sonnenlicht ausgesetzt werden. Richten Sie keine Laserstrahlen oder andere externe Lichtquellen auf die Linsen.

! Schadensvermeidung

- Das Headset darf nicht fallengelassen, gebogen oder gegen andere Objekte gestoßen werden, weil dadurch die Kalibrierung der Kameralinse beeinträchtigt werden könnte.
- Vermeiden Sie Kratzer auf der Kameralinse.
- Halten Sie das Headset am Gehäuse oder am Halteband, wenn Sie es hochheben möchten.
- Heben Sie das Headset nicht an Polsterung oder den Kabel hoch.
- Vermeiden Sie es, auf die Kabel zu treten.

! Reparaturbedürftige Schäden

Nur qualifiziertes Personal darf Reparaturen am Headset vornehmen. Kontaktieren Sie in folgenden Fällen einen autorisierten Reparaturdienst:

- Das Headset ist mit Flüssigkeit in Kontakt gekommen oder wurde fallengelassen.
- Das Headset wurde durch physische Krafteinwirkung oder andere Ursachen beschädigt.
- Das Headset überhitzt.
- Das Headset funktioniert auch nach Befolgen der Bedienungsanleitungen nicht ordnungsgemäß.

Reinigen

Trennen Sie das Headset vor dem Reinigen von der Stromquelle. Reinigen Sie das Headset-Gehäuse mit weichen antibakteriellen Tüchern. Verwenden Sie keine Seife, aggressiven Chemikalien, Alkohol, Reinigungslösungen, Flüssigreiniger oder Aerosole.

Verwenden Sie niemals Wasser zum Reinigen des Headsets. Reinigen Sie die Headset-Linsen und die Vorderseite mit speziellen Brillenreinigungstüchern oder einem Mikrofasertuch. Reinigen Sie die Headset-Linsen nicht mit flüssigen oder chemischen Reinigern. Reinigen Sie die Polsterung mit weichen antibakteriellen Tüchern.

Gerätetemperatur

Während des Betriebs ist es normal, dass sich das Headset warm anfühlt. Insbesondere die vorderen Kameras und Lüftungsoberflächen können heiß werden. Der Hautkontakt mit einem warmen Headset über einen längeren Zeitraum kann zu Hautreizungen, Rötungen und geringfügigen Verbrennungen führen. Wenn das Headset sich heiß oder unangenehm warm anfühlt, sollten Sie die Verwendung unterbrechen und es abkühlen lassen.

Zubehör

Verwenden Sie das Headset nicht zusammen mit Zubehör oder Software, die nicht autorisiert oder nicht kompatibel sind. Die Verwendung von Zubehör oder Software, die nicht autorisiert oder nicht kompatibel sind, kann zu Leistungseinschränkungen, Verletzungen und Schäden führen. Unter varjo.com/support finden Sie eine Liste mit kompatibelem Zubehör und kompatibler Software.

Betriebs- und Lagerumgebung

Anwendungshinweise

Verwenden Sie das Headset nur in gut belüfteten Bereichen.

- Decken Sie das Headset nicht ab.
- Decken Sie die oberen und unteren Lüftungsöffnungen des Headsets nicht ab.
- Legen Sie das Headset nicht in der Nähe von Objekten ab, die die Linse zerkratzen könnten.
- Setzen Sie das Headset nicht offenem Feuer oder Rauch aus.
- Bewahren Sie das Headset nicht in der Nähe von Wärmequellen, heißen Bereichen oder Bereichen mit extremen Temperaturen auf.
- Verwenden Sie das Headset nicht in der Nähe von Wasser oder Flüssigkeiten.
- Verwenden Sie das Headset nicht nach einer drastischen Temperaturveränderung. Wenn das Headset zwischen Bereichen mit großen Unterschieden in der Temperatur oder Luftfeuchtigkeit bewegt wird, kann es am oder im Headset zur Bildung von Kondensation kommen. Warten Sie in diesem Fall vor der Verwendung des Headsets ab, bis die Feuchtigkeit verdunstet ist.

Hinweis: Wenn das Headset von kalten Bereichen in warme Bereiche

(und umgekehrt) bewegt wird, lassen Sie das Headset sich bitte an die Raumtemperatur akklimatisieren, bevor Sie es einschalten. Verwenden Sie das Headset bei Temperaturen von 10 °C bis 27 °C (50 °F bis 80 °F). Bewahren Sie das Headset bei Temperaturen zwischen 0 °C bis 40 °C (32 °F bis 104 °F) auf, um es vor Schäden zu schützen.

Funkfrequenzen

| Komponente | Nennwert | Frequenz | Max. Ausgabeleistung |
|------------|-----------|----------------|----------------------|
| Headset | 12 V, 3 A | 2,402–2,48 GHz | 1 mW |

Recycling

Gemäß der am 13. Februar 2003 in Kraft getretenen EU-Richtlinie 2012/19/EU zur Vermeidung von Abfällen von Elektro- und Elektronikgeräten und der Reduzierung solcher Abfälle durch Wiederverwendung, Recycling und andere Formen der Verwertung hat sich der Umgang mit zu entsorgenden Elektro- und Elektronikgeräten grundlegend geändert. Machen Sie sich bitte mit den lokalen Richtlinien zur Entsorgung elektronischer Produkte vertraut.



Das Symbol mit der durchgestrichenen Mülltonne auf dem Headset, dem Akku, der Begleitdokumentation oder dem Verpackungsmaterial weist Sie darauf hin, dass alle elektrischen und Elektronikprodukte, Batterien/Akkus und Verpackungsmaterialien nach dem Gebrauch bestimmungsgemäß getrennt entsorgt werden müssen. Entsorgen Sie diese Produkte nicht mit dem Hausmüll, sondern führen Sie sie dem kommunalen Recyclingsystem zu. Wo Sie die nächste Recycling-Möglichkeit finden, erfahren Sie von der örtlichen für Abfälle zuständigen Behörde.

CE EU-Erklärung

Varjo erklärt hiermit, dass die Headsets HS-5 und HS-6 der EU-Richtlinie 2014/53/EU entsprechen. Den vollständigen Text der EU-Konformitätserklärung finden Sie unter: varjo.com/compliance.

Hinweis: In entsprechenden Tests wurde festgestellt, dass dieses Gerät die Vorgaben im Rahmen des Kriteriums C erfüllt.

Eine direkte elektrostatische Entladung von +/- 500V oder mehr kann die Kamerafunktionalität beeinträchtigen. Um die Funktionalität des Kamerasystems wiederherzustellen, muss das System gegebenenfalls neu gestartet werden.

Hinweis: In entsprechenden Tests wurde festgestellt, dass dieses Gerät die Vorgaben für digitale Geräte der Klasse A gemäß Teil 15 der FCC-Regeln erfüllt. Diese Vorgaben dienen dem angemessenen Schutz vor gefährlichen Störungen beim Betrieb des Geräts in kommerziellen Anwendungen. Dieses Gerät erzeugt, verwendet und gibt Funkstrahlung ab. Wenn dieses Gerät nicht gemäß dem Benutzerhandbuch installiert und verwendet wird, kann es zu schädlichen Störungen von Funkverbindungen kommen. Bei Betrieb dieses Geräts in Wohnumgebungen kann es unter Umständen zu schädlichen Störungen kommen. In diesem Fall ist der Benutzer dafür verantwortlich, diese Störungen auf eigene Kosten zu beheben.

Dieses digitale Gerät der Klasse A entspricht den Bestimmungen der kanadischen Norm ICES-003.



California Proposition 65

WARNUNG: Krebswarnung – www.P65Warnings.ca.gov.

FCC und ISED Canada: Erklärung zur Konformität mit der Norm

Dieses digitale Klasse-A-Gerät entspricht den Bestimmungen von Teil 15 der FCC-Regeln und RSS-247 von ISED Canada. Die Betriebsfreigabe ist abhängig von folgenden zwei Voraussetzungen:

- (1) dieses Gerät verursacht keine Störungen und
- (2) dieses Gerät darf nicht anfällig für Störungen sein; dazu zählen auch Störungen, die zu Fehlfunktionen führen könnten.

Änderungen oder Modifikationen, die nicht ausdrücklich von der für Konformität zuständigen Instanz freigegeben wurden, können zu einem Erlöschen der Betriebserlaubnis für das Gerät führen.

FCC und ISED Canada: Erklärung zur Aussetzung gegenüber Strahlung

Dieses Gerät entspricht den Grenzwerten zur Aussetzung gegenüber Strahlung der FCC- und kanadischen Regeln in nicht kontrollierten Umgebungen. Diese Übertragungsgeräte dürfen nicht an einem Ort mit und/oder zusammen mit anderen Antennen oder Übertragungsgeräten betrieben werden.

RoHS-Richtlinie

Dieses Gerät entspricht der EU-Richtlinie 2011/65/EU vom 8. Juni 2011 bezüglich der Beschränkung der Verwendung bestimmter gefährlicher Stoffe in Elektro- und Elektronikgeräten (RoHS) und ihren Zusätzen.

Begrenzte Gewährleistungsgarantie von Varjo Limited

DIESES VARJO PRODUKT IST FÜR DIE KOMMERZIELLE NUTZUNG KONZIPIERT UND NICHT FÜR DEN VERKAUF AN ENDVERBRAUCHER VORGESEHEN. DIESE BEGRENZTE GEWÄHRLEISTUNGSGARANTIE RÄUMT IHNEN SPEZIELLE RECHTE EIN. ZUDEM KÖNNEN IHNEN JE NACH LAND UND BUNDESSTAAT WEITERE RECHTE ZUSTEHEN.

1. Definitionen

Für diese begrenzte Garantie gelten folgende Definitionen:

- „Varjo Produkt“ bezieht sich auf das Varjo Headset und das mitgelieferte Zubehör zum Zeitpunkt des Kaufs von einem autorisierten Händler oder von Varjo („autorisierter Händler“).
- „Sie/Ihr/Ihnen“ bezieht sich auf den ursprünglichen Käufer, der das Varjo Produkt von einem autorisierten Händler erworben hat.
- Die „Garantiedauer“ beträgt zwölf (12) Monate ab dem Datum, an dem Sie das Varjo Produkt von einem autorisierten Händler erworben haben.
- „Normale Nutzungsbedingungen“ bezeichnet die normale kommerzielle Nutzung gemäß dem Benutzerhandbuch.
- „Benutzerhandbuch“ bezeichnet jegliche Anleitungen, Sicherheitshinweise und andere Dokumentation, die von Varjo im Lieferumfang bereitgestellt oder online veröffentlicht wurden.

2. Geltungsumfang

Varjo gewährt Ihnen während der Garantiedauer eine exklusive Garantie darauf, dass das Varjo Produkt bei Nutzung im Rahmen der normalen Nutzungsbedingungen gemäß den technischen Spezifikationen von Varjo ordnungsgemäß funktionieren wird. Diese begrenzte Garantie bezieht sich nicht auf Software oder andere Produkte, die zur Nutzung des Varjo Produkts benötigt werden und nicht zum Zeitpunkt des ersten Kaufs des Varjo Produkts mitgeliefert wurden. Solche Produkte unterliegen eigenen oder anderen Nutzungsbedingungen, selbst dann, wenn sie zur Nutzung mit dem Varjo Produkt vorgesehen oder als solches ausgezeichnet sind.

Diese begrenzte Garantie für das Varjo Produkt kommt nur zur Anwendung, wenn das neue Varjo Produkt von einem autorisierten Händler in verschlossener Originalpackung erworben wurde. Diese begrenzte Garantie kann nicht Drittparteien zugewiesen oder an sie übertragen werden, sofern solche Einschränkungen nicht gesetzlich verboten sind.

Wenn Sie das Varjo Produkt während der Garantiedauer zurückgeben und die Bedingungen dieser begrenzten Garantie erfüllt sind, können Varjo oder seine Servicepartner Ihnen nach eigenem Ermessen eine Reparatur oder einen Austausch des Produkts anbieten.

Reparatur oder Austausch können die Verwendung von funktionsgleichen, überholten Varjo Produkten und/oder von funktionsgleichen, überholten Teilen umfassen, sofern ein solches Vorgehen nicht gesetzlich verboten ist. Bei einem Austausch des Varjo Produkts kann Varjo dieses entweder durch das gleiche Modell ersetzen, oder durch ein Modell, das dem Originalmodell am nächsten kommt, wenn das gleiche Modell nicht verfügbar sein sollte. Varjo oder seine Servicepartner lassen Ihnen das reparierte oder ausgetauschte Varjo Produkt auf eigene Kosten zukommen. Jedes Varjo Produkt, das Sie Varjo haben zukommen lassen und das von Varjo ersetzt wird, wird damit zum Eigentum von Varjo.

Falls Varjo eine Reparatur oder den Austausch eines Varjo Produkts vornimmt, hat die Garantie des Varjo Produkts bis zum Ende der ursprünglichen Garantiedauer Bestand oder gilt für drei (3) Monate ab dem Zeitpunkt der Reparatur oder des Austausches, je nachdem, welcher Zeitraum länger ist.

Die Reparatur oder der Austausch des Varjo Produkts sind Ihr einziger Anspruch und Varjos einzige Verpflichtung in Fällen, wo durch Fehlfunktion des Varjo Produkts Verluste entstanden sein sollten. Sollten wir nach eigenem Ermessen feststellen, dass keine der angeführten Maßnahmen geeignet ist, den Defekt oder die Fehlfunktion zu beheben, können wir eine Erstattung des Produkkaufpreises in Aussicht stellen.

Die begrenzte Garantie ist die endgültige, vollständige und exklusive Garantie, die Varjo für das Varjo Produkt anbietet. Keine andere Person oder Körperschaft (inklusive der autorisierten Händler) ist autorisiert, darüber hinausgehende Garantien oder Verpflichtungserklärungen im Namen von Varjo abzugeben. MIT AUSNAHME DER AUSDRÜCKLICHEN IN DIESER BEGRENZTEN GARANTIE EINGERÄUMTEN GARANTIEN SCHLIESST VARJO ALLE ANDEREN DIREKTEN UND IMPLIZIERTEN GARANTIEN UND VERPFLICHTUNGEN AUS, DARUNTER AUCH IMPLIZIERTE

GARANTIEN BEZÜGLICH DER MARKTGÄNGIGKEIT ODER DER EIGNUNG DES PRODUKTS FÜR BESTIMMTE ZWECKE. SOFERN IN DIESER BEGRENZTEN GARANTIE NICHT ANDERS EINGERÄUMT, WERDEN ALLE VARJO PRODUKTE „WIE BESEHEN“ UND „MIT ALLEN MÄNGELN“ ZUR VERFÜGUNG GESTELLT. Falls der Ausschluss einer implizierten Garantie nicht zulässig ist, entspricht die Dauer hierfür der Garantiedauer. Wenn für Sie gültiges Recht keine Einschränkung der Gewährdauer für implizierte Garantien erlaubt, gilt diese Einschränkung nicht für Sie.

Wenn Sie nicht der ursprüngliche Käufer/die ursprüngliche Käuferin des Varjo Produkts sind, gilt diese begrenzte Garantie nicht für Sie. Wenn die Garantiedauer abgelaufen ist und das Varjo Produkt die Bedingungen dieser begrenzten Garantie nicht erfüllt oder wenn Sie Ihren Anspruch nicht gemäß Abschnitt 5 dieser begrenzten Garantie äußern, kommt diese begrenzte Garantie nicht zur Anwendung. Wenn diese begrenzte Garantie nicht zur Anwendung kommt, kann Varjo Ihnen garantiefreie und kostenpflichtige Services anbieten, wobei Sie jegliche Kosten im Zusammenhang mit Reparatur und Austausch des Varjo Produkts selbst tragen müssen.

3. Anfordern von Service

Wenn ein Problem mit Ihrem Varjo Produkt vorliegt, können Sie unter [varjo.com/support](https://www.varjo.com/support) Informationen und Hilfe erhalten sowie ein Antragsformular für eine Garantieleistung einreichen. Wenn Sie ein Varjo Produkt zur Wartung oder Reparatur einsenden müssen, erhalten Sie von uns Anleitungen zur Handhabung. Unter Umständen obliegt es Ihnen, die Kosten für die Einsendung des Varjo Produkts zu übernehmen. Sobald wir das Varjo Produkt erhalten haben, ermitteln wir, ob die festgestellten Defekte oder Fehlfunktionen von der begrenzten Garantie abgedeckt sind. Wenn wir Defekte oder Fehlfunktionen ermitteln, die von der begrenzten Garantie abgedeckt sind, werden wir das Varjo Produkt reparieren oder austauschen, damit Ihnen ein Varjo Produkt zur Verfügung steht, das den technischen Varjo Spezifikationen unter normalen Nutzungsbedingungen entspricht, und Ihnen auf unsere Kosten das reparierte Varjo Produkt oder ein anderes entsprechendes Varjo Produkt als Ersatz zukommen lassen. Das ursprüngliche Varjo Produkt verbleibt im Zweifelsfall bei uns. Wenn Sie uns ein Varjo Produkt ohne gültigen Kaufnachweis zusenden, senden wir Ihnen gegen eine Vorauszahlung das Varjo Produkt auf Ihre Kosten zurück. Wenn eine solche Vorauszahlung nicht geleistet wurde, verbleibt das Produkt für dreißig (30) Tage bei uns, bis sie es wieder entgegennehmen; andernfalls wird es nach diesem Zeitraum entsorgt.

4. Was ist nicht im Geltungsumfang enthalten?

Im Geltungsumfang der begrenzten Garantie sind folgende Punkte, für die Varjo entsprechend keine Verantwortung übernimmt, nicht enthalten: (i) gebrauchte und wiederverkaufte Varjo Produkte; (ii) Varjo Produkte, die nicht von autorisierten Händlern gekauft wurden; (iii) jegliche Software (darunter auch, aber nicht ausschließlich auf dem Varjo Produkt installierte Software und von Varjo bereitgestellte PC-Software).

Im Geltungsumfang der begrenzten Garantie sind zudem folgende Punkte, für die Varjo entsprechend keine Verantwortung übernimmt, mit Bezug auf Schaden an und Verlust des Varjo Produkts in folgenden Fällen nicht enthalten: (i) Unfälle (z. B. unbeabsichtigte physische Krafteinwirkung, Kontakt mit Flüssigkeit, Nahrungsmitteln oder anderen Substanzen, etc.) oder Diebstahl; (ii) Nutzung, die nicht den normalen Nutzungsbedingungen entspricht oder andere Formen von Fehlgebrauch (darunter auch, aber nicht ausschließlich grobe, fahrlässige oder abgeänderte Nutzung); (iii) Nutzung mit einem ungeeigneten Produkt, das nicht von Varjo verkauft oder lizenziert wurde; (iv) Nutzung bei unzureichender Belüftung; (v) Nutzung durch Kinder; (vi) Nutzung bei Umgehung von Sicherheitsmaßnahmen; (vii) Nutzung bei veränderter Gerätemechanik; (viii) Defekte oder Schäden am Varjo Gerät durch Viren oder andere Softwareprobleme; (ix) Nutzung des Varjo Geräts entgegen der Gesetze, Richtlinien oder Vorgaben in dem Bereich, wo das Varjo Gerät verwendet wird; (x) Defekte oder Schäden in Folge nicht autorisierter Reparaturen; (xi) höhere Gewalt, darunter auch, aber nicht ausschließlich Gewitter, Fluten, Stürme, Erdbeben oder Hurrikane; und/oder (xii) Schäden kosmetischer Art (z. B. Kratzer).

Im Geltungsumfang der begrenzten Garantie sind weiterhin Punkte, für die Varjo entsprechend keine Verantwortung übernimmt, mit Bezug auf Schaden an und Verlust des Varjo Produkts in folgenden Fällen nicht enthalten, wenn diese sich auf normale Verbrauchsspuren und Abnutzung der Verbrauchsteile des Geräts beziehen.

Abschließend wird erklärt, dass diese begrenzte Garantie keine spezifischen Garantien umfasst, die implizieren, dass das Varjo Produkt fehlerfrei ist in Bezug auf Betriebszeit oder durchgängiger Verfügbarkeit und Datensicherheit im Zusammenhang mit der Software oder Online-Konten oder dass jegliche Software, Firmware oder Online-Seiten ununterbrochen oder fehlerfrei zur Verfügung stehen. Diese begrenzte Garantie verfällt, wenn bei der Rückgabe des Varjo Geräts die Typenschilder entfernt, beschädigt oder manipuliert wurden oder das Gerät auf andere Weise verändert wurde (dazu zählt auch das nicht autorisierte Entfernen von Komponenten oder der äußeren Abdeckung.) [Diese begrenzte Garantie deckt keine Datenverluste ab; es liegt in Ihrer Verantwortung, Ihre Daten

regelmäßig elektronisch oder physisch zu sichern, um den Schutz Ihrer Daten zu gewährleisten. Im Geltungsumfang der begrenzten Garantie sind keine Schäden oder Kosten im Zusammenhang mit der Wiederherstellung, Entfernung oder Installation von Daten enthalten.]

5. Haftungsbeschränkung

SOWEIT NACH GELTENDEM RECHT ZULÄSSIG, SIND WEDER VARJO NOCH SEINE ZULIEFERER FÜR INDIREKTE, ZUFÄLLIGE, FOLGE-, STRAF- ODER SONDERSCHÄDEN VERANTWORTLICH, DARUNTER AUCH, ABER NICHT AUSSCHLIESSLICH ENTGANGENE GEWINNE ODER KOMMERZIELLE VERLUSTE, BETRIEBSUNTERBRECHUNGEN, VERLUSTE VON GESCHÄFTSINFORMATIONEN, DATENVERLUSTE, VERLUSTE DER PRIVATSPHÄRE, VERLUSTE VERTRAULICHER INFORMATIONEN, KOSTEN FÜR ERSATZPRODUKTE ODER -AUSSTATTUNG ODER NUTZUNGS-AUSFALL WÄHREND DES AUSTAUSCHS ODER DER REPARATUR DES VARJO PRODUKTS. SOWEIT NACH GELTENDEM RECHT ZULÄSSIG, IST IM RAHMEN DIESER BEGRENZTEN GARANTIE DIE GESAMTE HAFTUNG VON VARJO UND SEINEN ZULIEFERERN AUF DEN VON IHNEN TATSÄCHLICH FÜR DAS VARJO PRODUKT BEZAHLTEN BETRAG BEGRENZT. DIESE AUSSCHLÜSSE GELTEN AUCH DANN FÜR JEGLICHE ANSPRÜCHE, DIE SICH AUS DIESER BEGRENZTEN GEWÄHRLEISTUNG ERGEBEN ODER MIT DIESER IN ZUSAMMENHANG STEHEN, WENN MASSNAHMEN IHREN WESENTLICHEN ZWECK VERFEHLT HABEN ODER VARJO AUF DIE MÖGLICHKEIT DIESER SCHÄDEN HINGEWIESEN WURDE, UNABHÄNGIG VON DER GRUNDLAGE, OB AUS VERTRAG, UNERLAUBTER HANDLUNG (EINSCHLIESSLICH FAHRLÄSSIGKEIT), REINER PRODUKTHAFTUNG ODER AUF ANDERER RECHTSGRUNDLAGE ODER RECHTLICHEN THEORIEN BASIEREND. In einigen Staaten und Ländern ist der Ausschluss oder die Einschränkung von zufälligen oder Folgeschäden nicht zulässig, sodass solche Begrenzungen oder Ausschlüsse in dieser begrenzten Garantie möglicherweise nicht auf Sie zutreffen.

Kein Angestellter oder Vertreter von Varjo, seinen Partnerunternehmen oder Dritten ist befugt, Änderungen, Erweiterungen oder Ergänzungen der begrenzten Gewährleistungsgarantie oder eines Teils dieser Bedingungen vorzunehmen.

6. Allgemeine Bestimmungen

6.1 Diese begrenzte Garantie unterliegt finnischem Recht, wobei Bestimmungen der Rechtswahl davon ausgeschlossen sind. Das UN-Kaufrecht findet keine Anwendung. Alle Streitfälle, Konflikte oder Ansprüche, die sich aus dieser begrenzten Garantie ergeben, werden durch ein Schiedsverfahren gemäß der Schiedsgerichtsordnung der finnischen Handelskammer endgültig

entschieden. Gerichtsstandort ist Helsinki. Die Sprache des Streitverfahrens ist Englisch.

6.2 Wenn sich eine Bestimmung dieser begrenzten Garantie als illegal, ungültig oder nach den Gesetzen einer beliebigen Gerichtsbarkeit als nicht durchsetzbar erweist, beeinträchtigt dies nicht die Rechtmäßigkeit, Gültigkeit oder Durchsetzbarkeit der anderen Bestimmungen dieser begrenzten Garantie.

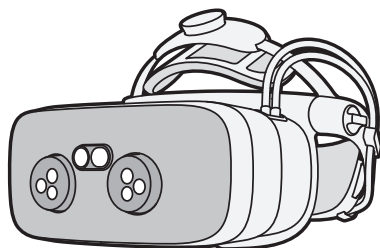
das reparierte Varjo Produkt oder ein anderes entsprechendes Varjo Produkt als Ersatz zukommen lassen. Das ursprüngliche Varjo Produkt verbleibt im Zweifelsfall bei uns. Wenn Sie uns ein Varjo Produkt ohne gültigen Kaufnachweis zusenden, senden wir Ihnen gegen eine Vorauszahlung das Varjo Produkt auf Ihre Kosten zurück. Wenn eine solche Vorauszahlung nicht geleistet wurde, verbleibt das Produkt für dreißig (30) Tage bei uns, bis sie es wieder entgegennehmen; andernfalls wird es nach diesem Zeitraum entsorgt.

Dans la boîte

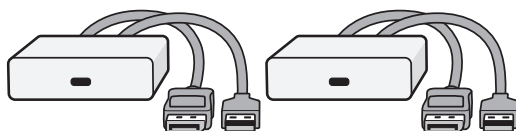
XR-3

FR

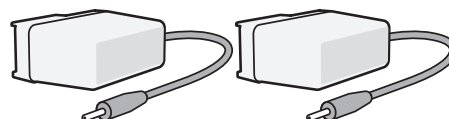
casque de réalité mixte



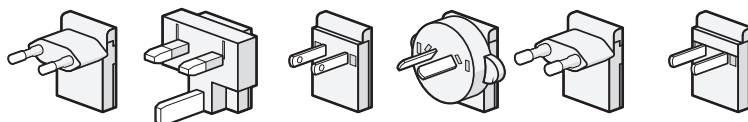
2 adaptateurs du casque



2 blocs d'alimentation



6 prises, 2 de chaque



EURO

UK

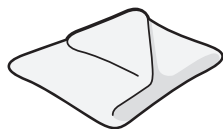
US

US

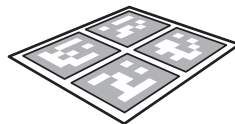
KOR

CHN

Chiffon de nettoyage

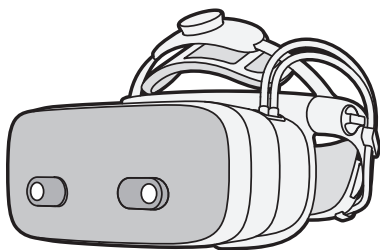


Marqueur de référence Varjo

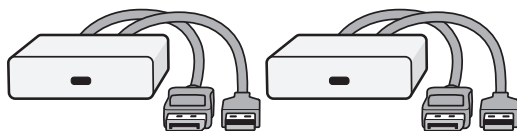


VR-3

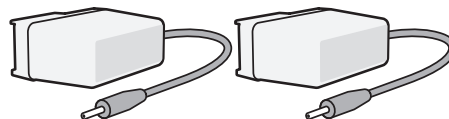
casque de réalité virtuelle



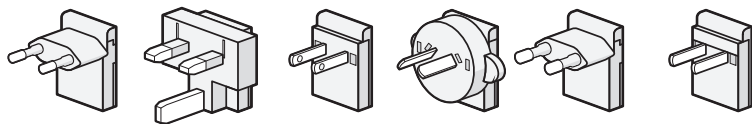
2 adaptateurs du casque



2 blocs d'alimentation



6 prises, 2 de chaque



EURO

UK

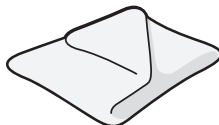
US

US

KOR

CHN

Chiffon de nettoyage



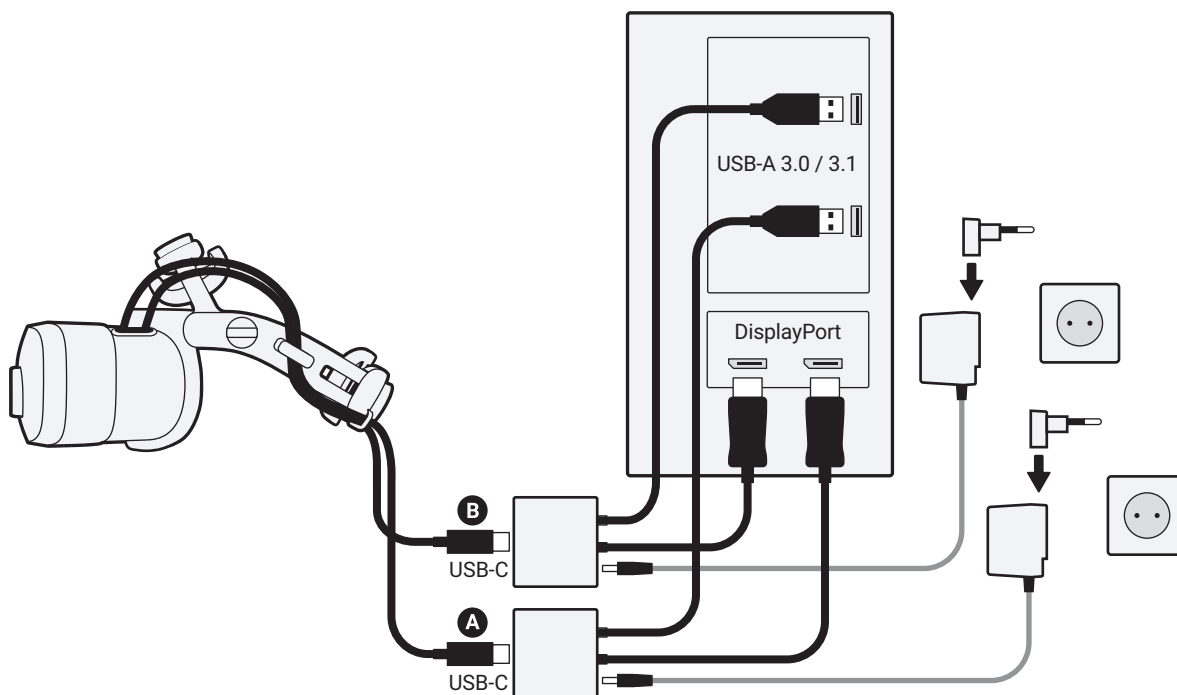
Connectez le casque

Les casques de Varjo sont compatibles avec les ordinateurs sous Windows.

1. **A** et **B** : Brancher chaque casque à un adaptateur de casque.
2. Adaptateurs de casque : Connecter chaque adaptateur à un port DisplayPort sur la carte graphique et à un port USB-A 3.0/3.1 sur la carte mère.

FR

Pour plus de détails sur la configuration requise, voir [varjo.com/start/system](https://www.varjo.com/start/system).



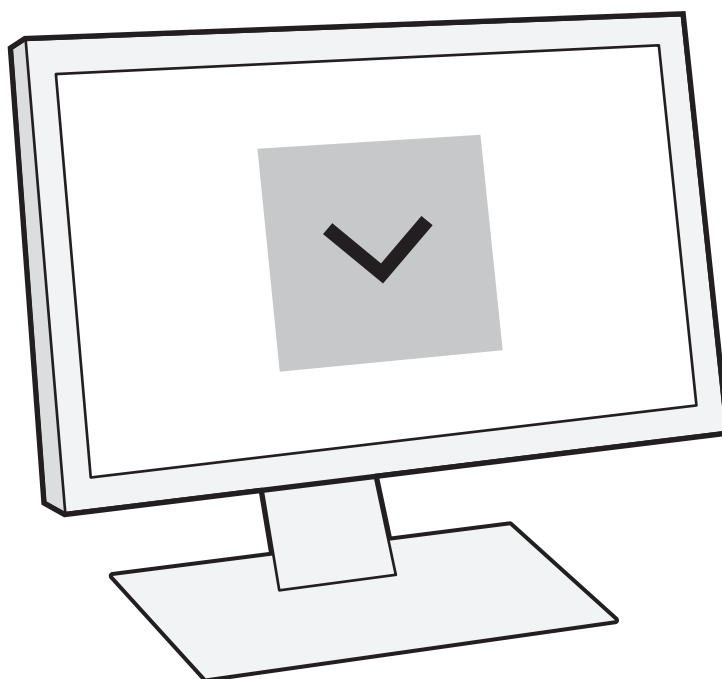
Téléchargez Varjo Base

Varjo Base est le logiciel qui permet d'utiliser votre casque sur un ordinateur sous Windows. Téléchargez Varjo Base pour commencer.

1. Allez sur **varjo.com/start**.
2. Créez un compte Varjo.
3. Téléchargez et lancez Varjo Base.
4. Suivez les instructions d'installation.

Vous aurez besoin d'un abonnement valide pour utiliser votre casque. Pour plus de renseignements, **varjo.com/subscriptions**.

FR



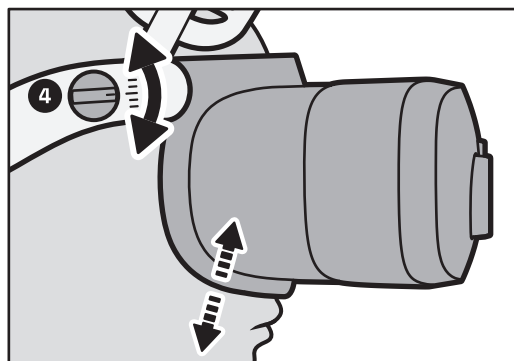
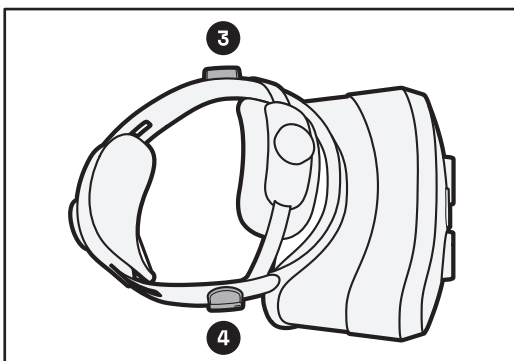
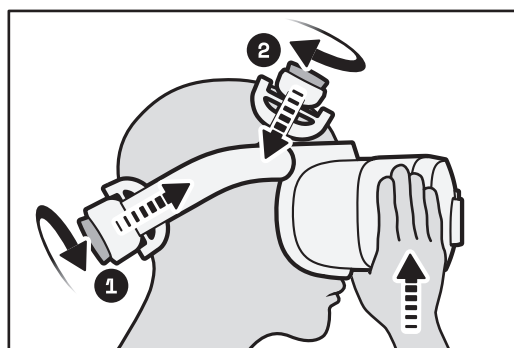
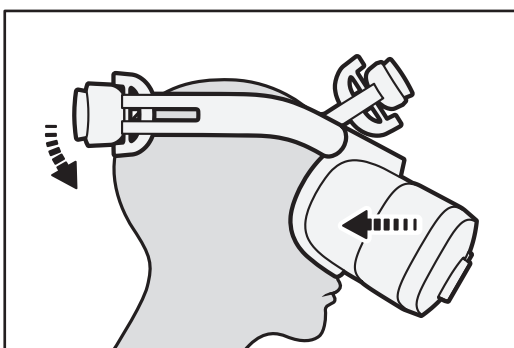
Mettez le casque

Pour mettre le casque, placez l'avant du casque sur votre visage et glissez le bandeau sur l'arrière de votre crâne. Vous pouvez porter la plupart des lunettes à simple foyer avec le casque.

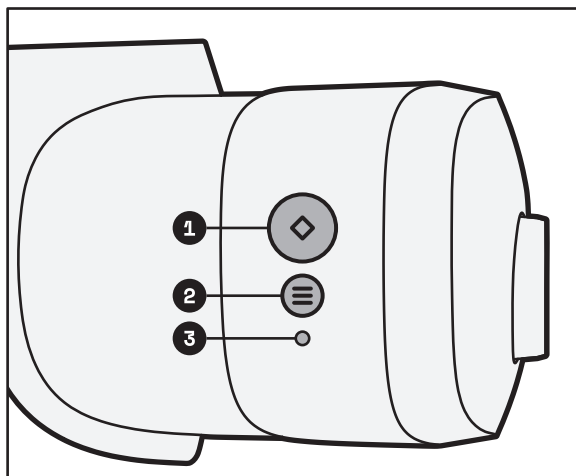
Ajustez le casque confortablement pour l'utiliser :

- ❶ : Faites tourner la molette de réglage derrière pour serrer ou desserrer le bandeau.
- ❷ : Pivoter la molette de réglage avant pour monter ou descendre le casque sur votre tête. Soutenez le casque d'une main pendant le réglage.
- ❸ et ❹ : Utilisez les molettes latérales pour ajuster le casque sur votre visage.

Le casque est correctement ajusté lorsqu'il est calé sur votre tête et lorsque l'image est nette.



Utiliser le casque

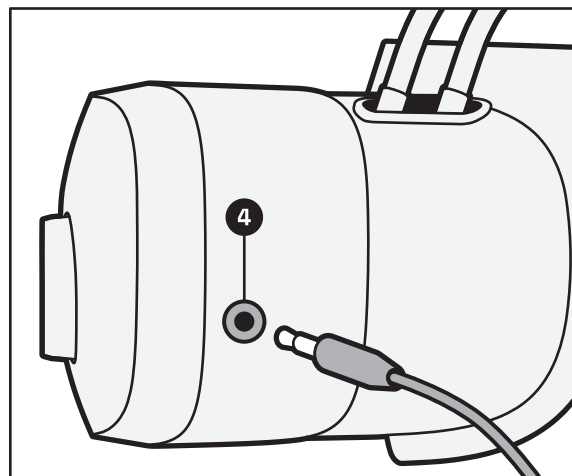


❶ Touche d'action : interagir avec vos applications

❷ Touche menu : ouvrir le menu

❸ LED d'état

| Motif de la LED | État du casque |
|--------------------------|----------------------------|
| Blanc (clignotement) | Démarrage |
| Vert (fixe) | Fonctionnement normal |
| Vert (clignotement lent) | Repos |
| Vert (clignotement) | Extinction |
| Orange (fixe) | Varjo Base n'est pas actif |



❹ Connecteur de casque

Nettoyer le casque

Nettoyez régulièrement le casque, surtout pour le partager avec d'autres utilisateurs.

Lentilles du casque : nettoyer doucement avec des lingettes optiques ou un chiffon en microfibras.

Casques, coussinets, nez et zones autour des lentilles : nettoyer avec des lingettes antibactériennes non abrasives.

FR

Vous pouvez acheter des coussinets supplémentaires dans le Varjo Store.



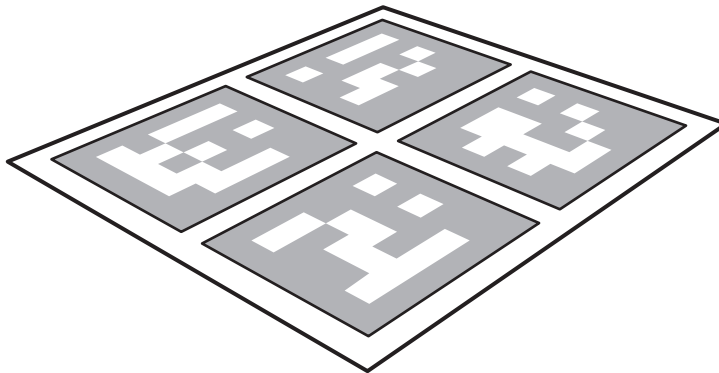
Utilisation du marqueur de référence Varjo

Servez-vous du repère de référence Varjo pour améliorer la précision du suivi inside-out Varjo.

Le suivi inside-out Varjo est disponible pour le casque de réalité mixte Varjo XR-3.

Pour plus de renseignements, rendez-vous sur varjo.com/start/get-to-know-your-headset .

FR



Produit et sécurité

Utilisation prévue

Le casque est destiné à une utilisation en intérieur, par des adultes. Si vous n'utilisez pas le casque comme prévu, cela peut provoquer des dysfonctionnements.

FR

Utilisation à risque élevé

Les logiciels et/ou produits Varjo ne sont pas conçus, fabriqués ou soumis à un contrôle de tout équipement ou système, y compris les équipements ou systèmes liés à l'aviation, l'industrie, le commerce, l'armée ou la médecine, d'une telle manière qu'un défaut de fonctionnement du logiciel ou des produits pourrait avoir une forte probabilité d'entraîner la mort ou une blessure physique grave d'une personne ou d'un animal, ou à des dégâts physiques ou à matériels graves (« à risque élevé »). VARJO DÉCONSEILLE FORTEMENT L'UTILISATION DES LOGICIELS OU DU MATÉRIEL POUR TOUTE UTILISATION À RISQUE ÉLEVÉ. Si vous décidez d'utiliser le logiciel ou des produits des utilisations à risque élevé, vous devez prendre toute responsabilité et accepter toutes les précautions raisonnables pour réduire les risques et les dégâts causés par une telle utilisation à risque élevé et/ou un dysfonctionnement du logiciel et/ou de produits dans cette utilisation à risque élevé.

Étiquette de produit

Le nom du modèle et son numéro de série sont indiqués sur l'étiquette située sur le soutien arrière.

Avertissements de santé et de sécurité

Pour réduire le risque de blessure personnelle, d'inconfort ou de dégâts matériels, assurez-vous que tous les utilisateurs de la tête lisent soigneusement les avertissements ci-dessous avant d'utiliser le casque.

Avant d'utiliser le casque

Une expérience de réalité mixte ou virtuelle confortable nécessite un sens du mouvement et de l'équilibre non-altérés. Ne pas utiliser ce casque si vous êtes malade, fatigué, somnolent, sous l'influence de l'alcool ou de médicaments, récupérez d'une consommation d'alcool

élevée, souffrez de problèmes digestifs, de troubles émotionnels ou d'anxiété, ou si vous souffrez d'un rhume, de la grippe, de migraine ou de maux de tête, ou si vous ne vous sentez pas bien de manière générale, car cela pourrait aggraver votre état. Consultez un médecin avant d'utiliser le casque si vous souffrez d'une condition qui nuit à votre vision ou à votre mobilité, êtes enceinte ou âgé(e), souffrez de problèmes cardiaques ou autre condition médicale grave, ou êtes sujet à des crises d'épilepsie, des migraines ou des troubles psychiatriques.

Environnement sûr

Les casques Varjo produisent une expérience de réalité mixte ou virtuelle immersive qui pourrait vous distraire et vous empêcher de distinguer correctement votre environnement.

- N'oubliez pas que tous les objets virtuels que vous voyez n'existent pas dans le véritable environnement, et que leur taille et leur emplacement ne sont pas réels. N'essayez pas de vous asseoir ou de monter sur les objets virtuels, ni de vous appuyer. Restez conscient des objets réels qui pourraient être situés derrière des objets virtuels.
- Ne jamais utiliser le casque dans des situations nécessitant une attention, tel que la marche, le vélo ou la conduite. N'utilisez pas le casque dans un véhicule en mouvement.
- N'oubliez pas que pendant que vous utilisez le casque, vous risquez de ne pas avoir conscience des gens qui entrent dans la zone.
- Avant d'utiliser le casque, dégagez les obstacles et les objets dangereux dans la zone, écarter les gens, les meubles et tout autre objet qui pourrait vous empêcher de vous déplacer librement. Vérifiez également que vous avez assez d'espace au-dessus et autour pour pouvoir tendre les bras en utilisant le casque.
- N'utilisez pas le choc près des murs, des escaliers, des balcons, des fenêtres, des portes ouvertes, sous un plafond bas ou un ventilateur bas, des plafonniers, des objets fragiles, des flammes ouvertes, des sources de chaleur ou tout autre objet que vous pourriez cogner ou renverser.
- N'oubliez pas l'emplacement des câbles et fils électriques afin de ne pas vous prendre les pieds dedans ou les arracher en utilisant le casque. Il ne faut pas tirer, nouer ou tordre les câbles ou les fils.
- Ne maniez pas d'objets tranchants ou dangereux en utilisant le casque.

Inconfort

Lorsque l'on utilise le casque, certains pourraient subir un assèchement ou une fatigue des yeux, des spasmes musculaires, des mouvements involontaires, une vision troublée, altérée ou dédoublée, ou d'autres anomalies visuelles. Ils pourraient ressentir des vertiges, des étourdissements, de la désorientation, un inconfort

ou une douleur dans la tête ou les yeux, des migraines, des troubles de l'équilibre, une coordination œil-main perturbée, une sudation ou une salivation excessive, des nausées, de la fatigue, une perte de connaissance ou une crise d'épilepsie ou autres symptômes de mal des transports.

Lorsque vous commencez à utiliser le casque, commencez par des séances courtes avec des pauses régulières. Si vous ressentez un peu d'inconfort, arrêtez d'utiliser le casque et ne reprenez qu'une fois les symptômes soulagés. Ne conduisez pas, n'opérez pas de machines lourdes ou n'effectuez pas d'activités visuellement ou physiquement exigeantes avant d'être entièrement remis de ces symptômes. Pensez à consulter un médecin si vous ne voyez pas clairement et confortablement les objets virtuels.

Surutilisation

Faites régulièrement des pauses régulières en utilisant le casque. Une utilisation prolongée peut impacter votre coordination ou votre équilibre, et peut provoquer d'autres effets négatifs.

Blessures de fatigue répétitive

Utilisez le casque dans une position confortable. N'utilisez pas trop de force en tenant le casque ou en appuyant sur les boutons du casque. Si vous ressentez des démangeaisons, engourdissements, brûlures, raideurs, battements ou autres inconforts, arrêtez d'utiliser le casque et reposez-vous jusqu'à vous être entièrement remis des symptômes. Si ces symptômes persistent, consultez un médecin.

Interférence avec des appareils médicaux

Le casque peut émettre des ondes radio, qui peuvent affecter le fonctionnement d'appareils électroniques proches, y compris des pacemakers cardiaques, des appareils auditifs et des défibrillateurs. Si vous utilisez un pacemaker ou un autre dispositif médical implanté, n'utilisez pas le casque sans consulter un docteur ou le fabricant de votre dispositif médical. Maintenez une distance sûre entre le casque et vos appareils médicaux et arrêtez d'utiliser le casque si vous observez des interférences avec votre dispositif.

Perte d'audition

Une exposition excessive aux sons trop puissants peut causer des dégâts à l'audition. Lorsque vous utilisez les écouteurs du casque, commencez avec un volume faible, puis augmentez le volume graduellement au besoin. Ne montez pas trop le volume.

Épilepsie

Certaines personnes peuvent ressentir de graves vertiges, des évanouissements, des crises épileptiques ou des pertes de connaissance déclenchés par des éclairs ou des motifs lumineux, ou par une exposition aux sources lumineuses infrarouges du suivi de l'œil, même s'ils n'ont aucun antécédent dans ce sens. Si vous ressentez l'un de ces symptômes, arrêtez d'utiliser le casque et consultez un médecin. Si vous avez des antécédents de ces symptômes, consultez un docteur avant d'utiliser le casque. Pour réduire les risques de crise épileptique, n'utilisez pas le casque si vous êtes fatigué.

Aucune protection des yeux

Les casques Varjo ne protègent pas les yeux contre les impacts, débris, produits chimiques, rayonnements ultraviolets, autres lumières nocives, les particules, les projectiles ou autres dangers physiques.

Choc électrique

N'essayez pas de démonter, d'ouvrir, de réparer ou de modifier le casque ou son alimentation, car cela peut mener à des décharges électriques ou d'autres dangers, et peut endommager le casque ou l'alimentation. Pour les ÉQUIPEMENTS À BRANCHER, la prise sera équipée près de l'équipement et doit être facilement accessible. N'utilisez le casque qu'avec l'alimentation fournie (Adapter Technology Co., Ltd. (ATS036T-W120V(Level VI)) ENTRÉE Universel 100 ~ 240 Vac / 50 ~ 60 Hz, 1A, SORTIE +12V / 0~3A et adaptateur du casque inclus dans la boîte. L'utilisation d'autres unités d'alimentation peut être dangereuse.

PRODUIT LASER DE CLASSE 1

(Uniquement pour le casque de réalité mixte Varjo XR-3)

Dispositif endommagé ou cassé

Ne pas utiliser le casque si une partie est brisée ou endommagée, si les câbles fournis sont déchirés ou dénudés. N'essayez pas de réparer le casque vous-même. Les réparations ne doivent être effectuées que par une installation autorisée à modifier Varjo.

Conditions contagieuses

Pour éviter de transmettre des conditions contagieuses d'une personne à l'autre, ne partagez pas le casque avec des personnes malades ou contagieuses, notamment de pathologies concernant les yeux, la peau ou le cuir chevelu.

⚠ Irritation de peau

Arrêtez d'utiliser le casque si vous constatez des œdèmes, démangeaisons ou autres irritations. Si les symptômes persistent, consulter un médecin.

Informations de sécurité

Pour prévenir les blessures chez vous ou autrui, lisez ces informations de sécurité avant de l'utiliser.

Porter le casque

Quand vous mettez le casque pour la première fois, suivez les instructions sur le positionnement du casque sur votre tête. Le casque est correctement ajusté lorsqu'il est calé sur votre tête et lorsque l'image est nette. Il ne doit pas y avoir de douleur ou de pression sur votre tête, et le coussinet devrait être confortable.

Lorsque vous mettez le casque, il ajustera automatiquement ses lentilles à votre distance interpupillaire. Ce paramètre est activé par défaut. Nous vous recommandons de le conserver. Désactivez ce réglage si le réglage automatique ne fonctionne pas pour vous, par exemple à cause de vos lunettes ou de toute condition qui nuit à votre vision. Si vous désactivez l'adaptation automatique, vous ressentez peut-être un peu d'inconfort en utilisant le casque.

Éclairage

Utilisez le casque dans un environnement bien éclairé pour obtenir la performance maximale des caméras du casque. Veuillez noter que les surfaces réfléchissantes pourraient interférer avec le suivi de position.

Entretien et maintenance

Manipulez le casque avec soin et rangez-le dans un endroit propre et sans poussière.

Soleil et sources lumineuses extérieures

Ne laissez pas le casque au soleil ou sous une lumière ultraviolette forte. L'exposition à la lumière du soleil directe peut endommager les optiques et l'affichage. Ne faites pas passer un laser ou une source lumineuse externe par les lentilles.

⚠ Dégâts

- Ne faites pas tomber ou ne tordez pas le casque, ne le frappez pas contre d'autres objets, car cela peut affecter le calibrage des lentilles.
- Ne rayez pas les lentilles.
- Soulevez le casque en le tenant par le corps ou le bandeau.
- Ne soulevez pas le casque par les coussinets ou les câbles.
- Ne marchez pas sur les câbles.

⚠ Dégâts nécessitant une réparation

Ne faites appel qu'à des gens qualifiés pour réparer le casque. Contactez une installation d'entretien autorisée si :

- Le casque a été exposé au liquide ou s'il est tombé.
- Le casque a subi un impact ou s'il est endommagé.
- Le casque surchauffe.
- Le casque ne fonctionne pas normalement lorsque vous suivez les instructions.

Nettoyage

Débranchez le casque de son câble avant le nettoyage. Nettoyez le casque avec des lingettes antibactériennes non-abrasives. Ne pas utiliser de savon, les produits chimiques, d'alcool, de solvants, de liquides de nettoyage et d'aérosols. N'utilisez jamais d'eau pour nettoyer le casque. Nettoyez les lentilles et la plaque avant délicatement avec des lingettes optiques ou un chiffon en microfibras. Ne nettoyez pas les lentilles avec des agents de nettoyage liquides ou chimiques. Nettoyez les coussinets avec des lingettes antibactériennes non-abrasives.

Température de l'appareil

Il est normal que le casque chauffe pendant l'utilisation. Les caméras frontales et les surfaces d'aération en particulier peuvent chauffer. Le contact prolongé de la peau avec un casque chaud peut provoquer un inconfort ou des rougeurs, voire des brûlures bénignes. Si votre casque chauffe de manière inconfortable, arrêtez de l'utiliser et laissez-le refroidir.

Accessoires

N'utilisez pas le casque avec des accessoires ou logiciels non autorisés ou incompatibles. L'utilisation d'accessoires ou de logiciel non autorisés peut causer des problèmes de performances ou causer des blessures ou des dégâts. Consultez [varjo.com/support](https://www.varjo.com/support) pour avoir la liste des accessoires ou logiciels compatibles.

Environnement d'utilisation et de rangement

Positionnement

N'utilisez les casques que dans des zones à ventilation adéquate.

- Ne couvrez pas le casque.
- Ne couvrez pas les aérations de ventilation en haut ou en bas du casque.
- Ne placez pas le casque sur des objets qui pourraient rayer les lentilles.
- N'exposez pas le casque à des flammes nues ou des objets émettant de la fumée.
- Ne placez pas le casque près de sources de chaleur, de zones chaudes ou de températures extrêmes.
- N'utilisez pas le casque près de l'eau ou d'autres liquides.
- N'utilisez pas le casque après un changement de température soudain. Quand vous déplacez le casque entre des environnements à la température et/ou au taux d'humidité très différents, de la condensation peut se former sur ou dans le casque. Attendez que l'humidité s'évapore avant d'utiliser le casque.

Remarque : Quand vous déplacez le casque d'une température faible vers un environnement plus chaud ou inversement, laissez le casque s'acclimater à la température ambiante avant de l'allumer. Utilisez le casque tête à des températures comprises entre 10 et 27°C. Stockez le casque dans son emballage d'origine à des températures entre 0 et 40°C pour réduire les dégâts involontaires.

Radiofréquences

| Composant | Classification | Fréquence | Puissance de sortie de pic |
|-----------|----------------|----------------|----------------------------|
| Casque | 12V, 3A | 2,402-2,48 Ghz | 1 mW |

Recyclage

La Directive 2012/19/UE concernant les déchets d'équipement électrique et Electronique (DEEE), entrée en vigueur le 13 février 2003, a entraîné une modification majeure du traitement des équipements électriques au terme de leur vie. Vérifiez les lois locales concernant l'élimination des produits électroniques.



Le symbole de poubelle barrée sur votre casque, la pile, les documents écrits ou l'emballage vous rappellent de confier tous les produits électriques et électroniques à des organismes de collecte séparés à la fin de leur vie. Ne jetez

pas ces produits comme des déchets municipaux non triés ; apportez-les au recyclage. Pour obtenir des informations sur votre point de recyclage le plus proche, allez voir votre autorité locale.

CE Avis de l'Union européenne

Varjo déclare que les casques HS-5 et HS-6 sont conformes à la Directive 2014/53/UE. Le texte complet de la déclaration de conformité UE est disponible à l'adresse internet suivante : varjo.com/compliance.

Remarque : Cet équipement a été testé et reconnu conforme aux limites du Critère C.

Une décharge directe d'ESO de +/- 500V vers l'assemblage caméra peut réduire son fonctionnement. Le système de caméra devra peut-être redémarrer pour récupérer toutes ses fonctionnalités.

FC Information FCC et ISDE auprès de l'utilisateur

Remarque : Cet équipement a été testé et reconnu conforme aux limites d'un appareil numérique de classe A, en vertu de la partie 15 des règles FCC. Ces limites sont conçues pour assurer une protection raisonnable contre les interférences nuisibles lorsque les équipements sont exploités dans un environnement commercial. Cet équipement génère, utilise et peut émettre des radiofréquences et, si elle n'est pas installée et utilisée conformément au manuel d'instruction, peut causer des interférences nuisibles aux communications radio. L'opération de cet équipement dans un domaine d'habitation est susceptible de causer des interférences nuisibles, auquel cas l'utilisateur devra corriger ces interférences à ses propres frais.

Cet appareil numérique de Classe A est conforme à la norme Canadienne ICES-003.



Proposition 65 (Californie)

AVERTISSEMENT : Cancer - www.P65Warnings.ca.gov.

Énoncé de conformité FCC et ISDE

Cet appareil se conforme aux normes CNR-247 et est exempt de licence d'Innovation, Sciences et Développement économique Canada. L'opération est soumise aux deux conditions suivantes :

- (1) cet appareil ne doit causer aucune interférence, et
- (2) cet appareil doit accepter n'importe quelle interférence, y compris

des interférences pouvant causer une opération non désirée de cet appareil.

Les changements ou modifications n'ayant pas été expressément approuvés par la partie responsable de la conformité peuvent faire perdre à l'utilisateur l'autorisation de faire fonctionner le matériel.

Déclaration concernant l'exposition aux rayonnements FCC et ISDE

Cet équipement est conforme aux limites d'exposition aux rayons du FCC et du Canada imposées dans un environnement non contrôlé. Ce transmetteur ne doit pas jouxter ou être utilisé en lien avec toute autre antenne ou tout autre émetteur. Cet équipement est conforme aux limites énoncées par CNR-102 pour un environnement non contrôlé.

Respect de la RoHS

Cet équipement est conformément à la Directive 2011/65/UE du parlement européenne et du Conseil du 8-juin-2011 concernant la restriction de l'utilisation de certaines substances dangereuses dans les équipements électriques et électroniques (RoHS) et ses modifications.

Garantie limitée Varjo

CE PRODUIT VARJO EST DESTINÉ À UNE UTILISATION INDUSTRIELLE ET N'EST PAS DESTINÉ À LA VENTE AU CONSOMMATEUR. CETTE GARANTIE LIMITÉE VOUS DONNE DES DROITS JURIDIQUES TRÈS SPÉCIFIQUES ET VOUS POURRIEZ AVOIR D'AUTRES DROITS JURIDIQUES QUI VARIENT D'UN ÉTAT ET D'UN PAYS À L'AUTRE.

1. Définitions

Les termes suivants s'appliquent à cette garantie limitée :

- « Le produit Varjo » signifie le casque Varjo et tout accessoire fourni dans la boîte au moment de l'achat d'origine auprès d'un détaillant autorisé ou de Varjo (« détaillant autorisé »).
- « Vous » et « Votre » représentent l'utilisateur industriel d'origine qui a acheté le produit Varjo auprès d'un détaillant autorisé.
- La « période de garantie » est de douze (12) mois à partir de la date que vous avez acheté le produit Varjo auprès d'un détaillant autorisé.
- Les « Conditions d'utilisation normales » signifient l'utilisation industrielle normale conformément au manuel d'utilisation.
- « Manuel d'utilisation » désigne toutes les instructions, précautions d'emploi et autres documents fournis dans la boîte ou en ligne par Varjo.

2. Couverture

Varjo vous garantit, exclusivement à vous, que durant la Période de garantie, le produit Varjo fonctionnera sensiblement en fonction des spécifications techniques de Varjo fournies pour les Conditions d'utilisation normales. Cette Garantie limitée ne couvre pas les logiciels ou autres produits requis pour utiliser le produit Varjo qui ne figurent pas dans la boîte au moment de l'achat initial du produit Varjo. Ces produits font l'objet d'une utilisation propre ou d'autres termes, même s'ils sont destinés à être utilisés avec le produit Varjo.

Cette Garantie limitée n'est valable et applicable que si vous avez acheté le produit Varjo neuf et auprès d'un détaillant autorisé, et si le produit Varjo vous a été vendu à l'intérieur de son emballage original. Vous ne pouvez pas attribuer ou transférer cette Garantie limitée à un tiers, à moins que cette restriction ne soit interdite par la loi.

Si vous renvoyez le produit Varjo au cours de la période de Garantie limitée et qu'il répond aux conditions de cette Garantie limitée, Varjo ou son partenaire de service procédera, à sa seule discrétion, à sa réparation ou son remplacement.

La réparation ou le remplacement peut impliquer l'utilisation d'un produit Varjo équivalent reconditionné et/ou de pièces reconditionnées, à moins que cela ne soit interdit par la loi. Pour remplacer le produit Varjo, Varjo peut le remplacer par le même modèle, ou s'il n'est pas disponible, le modèle le plus proche du modèle original. Varjo ou son partenaire de service renverront à leurs propres frais le produit Varjo réparé son remplacement. Tout produit Varjo que vous envoyez à Varjo et qui est remplacé par Varjo devient la propriété de Varjo.

Si Varjo répare ou remplace le produit Varjo, le produit Varjo réparé ou son remplacement restera garanti pendant la durée restante de la Garantie initiale, ou trois (3) mois à partir de la date de la réparation ou du remplacement, selon ce qui est le plus long.

La réparation ou le remplacement du produit Varjo est votre seul et unique recours, et la seule obligation de Varjo pour toute demande ou toute perte due à la défaillance du produit Varjo. Si nous déterminons, à notre seule discrétion, qu'aucun des moyens indiqués ne constitue une solution raisonnable pour réparer le défaut ou le dysfonctionnement, nous pourrions vous rembourser le prix que vous avez payé pour acheter le produit.

Cette Garantie limitée est la garantie finale, complète et exclusive offerte par Varjo pour le produit Varjo, et aucune autre personne ou entité (y compris le détaillant autorisé) n'est autorisée à apporter d'autre garantie ou représentation au nom de Varjo. À L'EXCEPTION DES GARANTIES LIMITÉES EXPRESSÉMENT APPORTÉES DANS LE CADRE DE CETTE GARANTIE LIMITÉE, VARJO REFUSE

TOUTE AUTRE GARANTIE EXPLICITE OU IMPLICITE OU TOUTE REPRÉSENTATION DE TOUTE SORTE, Y COMPRIS TOUTE GARANTIE DE MARCHANDISATION OU TOUTE APTITUDE DE QUELQUE SORTE QU'ELLE SOIT. SAUF PROPOSÉE AUTREMENT DANS CETTE GARANTIE LIMITÉE, TOUS LES PRODUITS VARJO SONT FOURNIS « EN L'ÉTAT » ET « AVEC TOUS LEURS DÉFAUTS. » Si et dans la mesure où une garantie implicite ne pouvait être réfutée, sa durée serait limitée à la période de garantie. Si la loi impérative qui s'applique à vous ne permet pas de limiter la durée d'une garantie impliquée, cette limite ne s'applique pas à vous.

Si vous n'êtes pas l'acheteur d'origine du produit Varjo, cette garantie limitée ne s'applique pas à vous. Si la période de garantie a expiré, si le produit Varjo ne remplit pas les conditions de cette garantie limitée ou si vous ne faites pas votre demande d'application de garantie conformément à la Section 5, cette garantie limitée ne s'applique pas. Si cette garantie limitée ne s'applique pas, Varjo peut offrir des services hors-garantie contre paiement, et vous pourriez être responsable des dépenses liées à la réparation ou au remplacement de votre produit Varjo.

3. Comment bénéficier des services de maintenance ?

Si vous rencontrez un problème avec le produit Varjo, veuillez nous rendre visite varjo.com/support pour obtenir de l'aide et des contacts, et nous adresser une demande de service de garantie. S'il est nécessaire de nous renvoyer votre produit Varjo pour maintenance, nous vous fournirons des instructions en ce sens. Vous devrez peut-être payer le coût d'expédition des produits Varjo. Lorsque nous aurons reçu le produit Varjo, nous déterminerons s'il présente un défaut ou un dysfonctionnement couvert par cette garantie limitée. Si nous trouvons un défaut ou un dysfonctionnement couvert par cette garantie limitée, nous procéderons à la réparation ou au remplacement du produit Varjo pour vous fournir un produit Varjo qui fonctionne en accord avec les spécifications techniques de Varjo dans des Conditions d'utilisation normales, et nous vous renverrons le produit Varjo réparé ou remplacé, le cas échéant, à nos frais. Nous ne vous retournerons peut-être pas le produit Varjo original. Si vous nous envoyez un produit Varjo sans preuve valide d'achat, nous vous retournerons le produit Varjo à vos frais, soumis à prépaiement ou, si ces frais n'étaient pas payés, nous garderons le produit Varjo, trente (30) jours en attendant que vous veniez le chercher avant de le détruire.

4. Qu'est-ce qui n'est pas couvert ?

Cette garantie limitée ne couvre pas, ou Varjo n'est pas responsable de (i) les produits Varjo d'occasion ou revendus ; (ii) les produits

Varjo qui n'ont pas été achetés auprès d'un détaillant autorisé ; ou (iii) tout logiciel (y compris mais pas de manière limitative les logiciels présents dans le produit Varjo et les logiciels pour PC fournis par Varjo).

De plus, cette mission limitée ne couvre pas et Varjo n'est pas responsable des dégâts subis par le produit Varjo ou de la perte du produit Varjo liés à (i) un accident (par exemple impact physique accidentel, exposition à un liquide, de nourriture ou d'autres contaminants, etc.) ou un vol ; (ii) une utilisation extérieure aux conditions d'utilisation normale ou à toute autre utilisation erronée (y compris mas de manière limitative un mauvais entretien, une altération ou une dégradation volontaire) ; (iii) une utilisation avec un produit non adapté non vendu ou autorisé par Varjo ; (iv) une utilisation avec ventilation insuffisante ; (v) une utilisation par les enfants ; (vi) une modification de nos mécanismes de sécurité ; (vii) une rétroingénierie ; (viii) des défauts ou dégâts liés à un virus ou autres problèmes logiciels introduits dans le produit Varjo ; (ix) l'utilisation du produit Varjo d'une manière qui contrevient à la loi, aux réglementations ou aux ordonnances applicables là où le produit Varjo est utilisé ; (x) des défauts ou des dégâts provoqués par des réparations non-autorisées ; (xi) des catastrophes naturelles, y compris mais de manière non exhaustives la foudre, les inondations, tornades, tremblements de terre ou ouragans ; et/ou (xii) les dégâts cosmétiques (par exemple des rayures).

De plus, cette garantie limitée ne couvre pas et Varjo n'est pas responsable des dégâts encourus par le produit Varjo ou la perte du produit Varjo entraînée par son usure normale et l'usure normale des pièces consommables.

Enfin, cette garantie limitée ne comprend aucune garantie spécifique que le produit Varjo sera dépourvu d'erreur, ni concernant sa disponibilité constante ou son temps de fonctionnement, concernant les fonctions de sécurité des logiciels ou des comptes en ligne, ni que les logiciels, firmwares ou sites en ligne fonctionneront sans interruption ou sans erreur. Cette garantie limitée est sans objet si le produit Varjo est renvoyé avec des étiquettes retirées, endommagées ou modifiées (y compris le retrait non-autorisé de tout composant ou cache extérieur). [Cette garantie limitée ne couvre pas les pertes de données ; vous êtes responsable de la sauvegarde de vos données, sous forme électronique ou physique, de manière régulière si vous désirez conserver vos données. Les dégâts ou frais liés à la récupération des données, leur suppression ou leur installation ne sont pas recouvrables dans le cadre de cette garantie limitée.]

5. Limite de responsabilité

DANS LA MESURE MAXIMALE PERMISE PAR LA LOI APPLICABLE, NI VARJO NI SES FOURNISSEURS NE SERONT RESPONSABLES

DE DOMMAGES INDIRECTS, INCIDENTELS, CONSÉQUENTIELS, PUNITIFS OU SPÉCIAUX, Y COMPRIS MAIS DE MANIÈRE NON EXHAUSTIVE UNE PERTE DE BÉNÉFICE OU UNE PERTE COMMERCIALE, UNE INTERRUPTION D'ACTIVITÉ, UNE PERTE D'INFORMATIONS COMMERCIALES, UNE PERTE DE DONNÉES, UNE PERTE DE CONFIDENTIALITÉ, LES FRAIS DE REMPLACEMENT DE MARCHANDISES OU D'ÉQUIPEMENT, OU LEUR PERTE D'UTILISATION PENDANT LE REMPLACEMENT OU LA RÉPARATION DU PRODUIT VARJO. DANS LA MESURE MAXIMALE PERMISE PAR LA LOI, TOUTE LA RESPONSABILITÉ DE VARJO ET DE SES FOURNISSEURS DANS LE CADRE DE CETTE GARANTIE LIMITÉE SERA LIMITÉE À LA SOMME EFFECTIVEMENT PAYÉE PAR VOUS POUR L'ACHAT DU PRODUIT VARJO. CES EXCLUSIONS S'APPLIQUE MÊME EN CAS D'ÉCHEC DE RÉOLUTION OU SI VARJO A ÉTÉ AVERTI DE LA POSSIBILITÉ DE CES DOMMAGES, PAR TOUT RECOURS LIÉ À CETTE GARANTIE LIMITÉE, QUELLE QUE SOIT LA FORME DE L'ACTION, QU'ELLE SOIT CONTRACTUELLE, POUR TORT (Y COMPRIS NÉGLIGENCE), RESPONSABILITÉ DE PRODUIT STRICTE OU TOUT AUTRE MOTIF DE RECOURS OU DE THÉORIE LÉGALE OU ÉQUITABLE. Certains états et pays ne permettent pas l'exclusion ou la limitation des dommages incidents ou conséquentiels, et les limitations ou exclusions de cette garantie limitée ne s'appliquent donc pas forcément à vous.

Aucun employé ou représentant de Varjo ou de ses affiliés ou de toute autre tierce partie n'est autorisé à apporter des modifications, extensions ou ajouts à cette garantie limitée ou à toute partie de ces termes.

6. Provisions générales

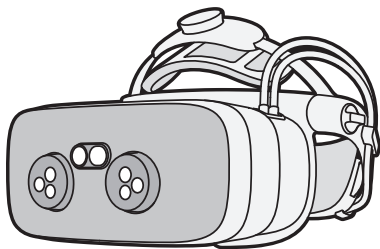
6.1 Cette garantie limitée est soumise à la loi finlandaise, à l'exclusion de son choix des règles de droit. La Convention des Nations Unies concernant les marchés de la vente internationale de biens ne s'applique pas. Toute contestation, controverse ou tout recours suscité par cette garantie limitée sera arbitrée de manière définitive en concordance avec les règles d'arbitrage de la chambre de Commerce de Finlande. Le siège de l'arbitrage sera Helsinki. La langue de l'arbitrage sera l'anglais.

6.2 Si une provision de cette garantie limitée était considérée comme illégale, non valide ou impossible à appliquer selon les lois de toute juridiction, cela n'affectera pas la légalité, la validité ou l'applicabilité de toute autre provision de cette garantie limitée.

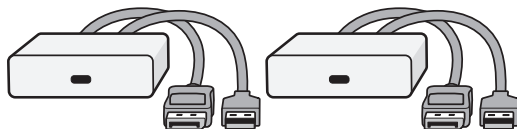
Contenidos

XR-3

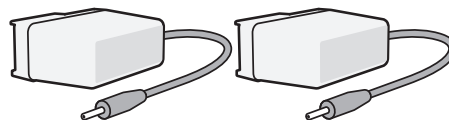
Headset de realidad mixta



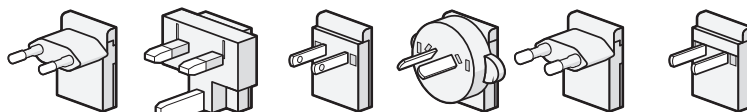
2 adaptadores de headset



2 unidades de alimentación



6 enchufes de alimentación, 2 de cada tipo



EURO

UK

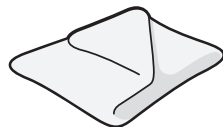
US

AUS

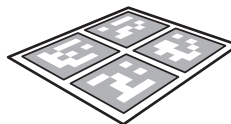
KOR

CHN

Paño de limpieza



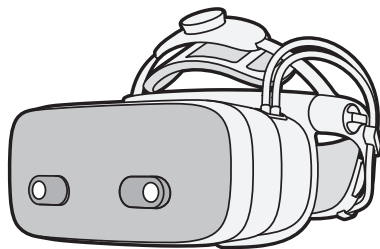
Marcador de referencia de Varjo



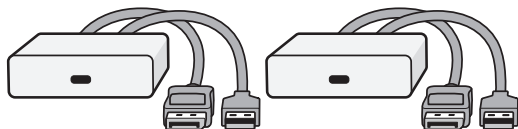
VR-3

ES

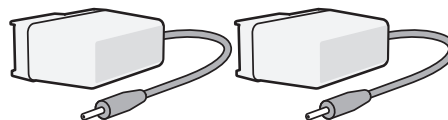
Headset de realidad virtual



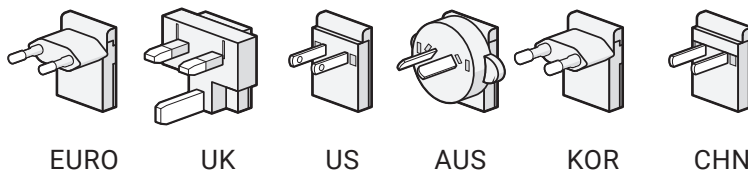
2 adaptadores de headset



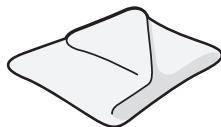
2 unidades de alimentación



6 enchufes de alimentación, 2 de cada tipo



Paño de limpieza

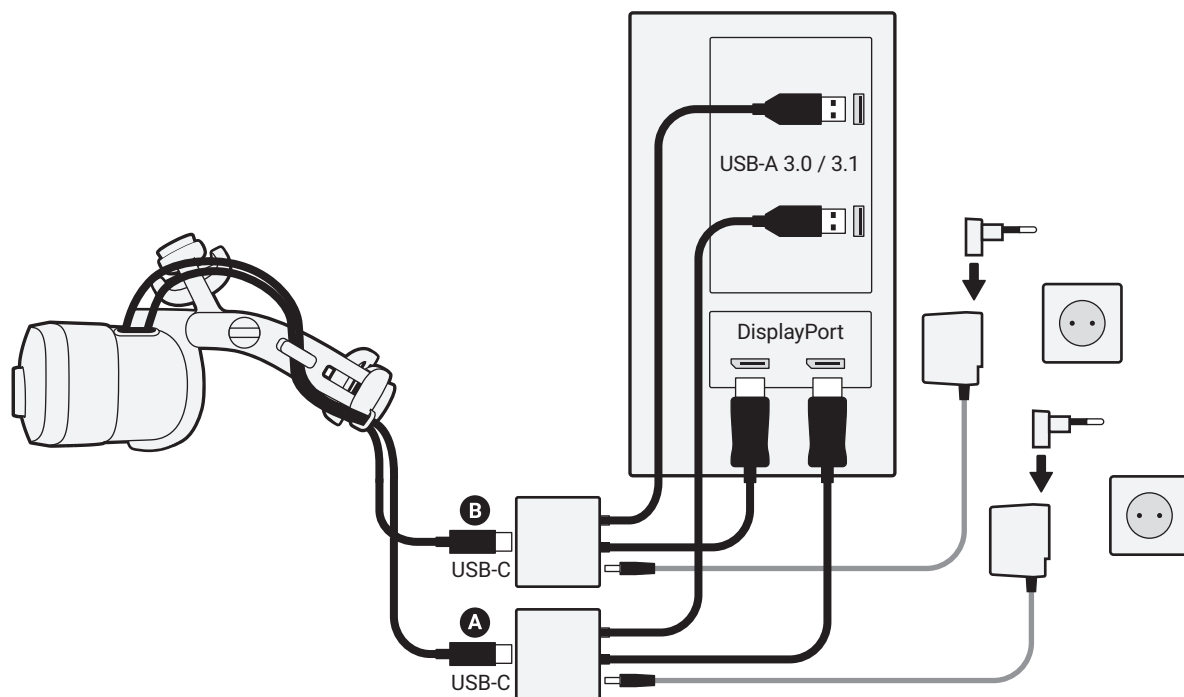


Conectar el headset

Los headsets de Varjo son compatibles con ordenadores con Windows.

1. **A** y **B**: Conecta cada cable del headset a un adaptador de headset.
2. Adaptadores de headset: Conecta cada adaptador a un puerto DisplayPort de la tarjeta gráfica y a un puerto USB-A 3.0/3.1 de la placa base.

Si quieres ver requisitos del sistema más detallados, consulta [varjo.com/start/system](https://www.varjo.com/start/system).



Descargar Varjo Base

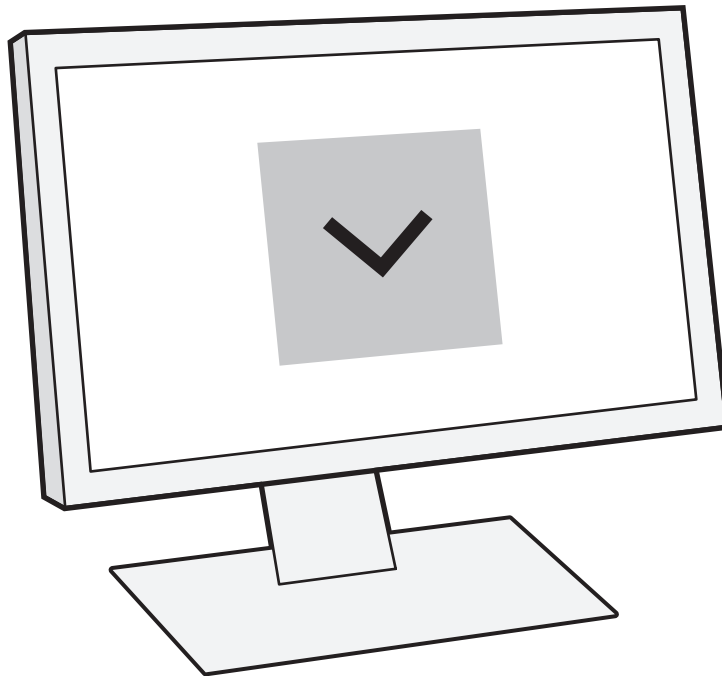
Varjo Base es el software que se necesita para usar el headset con un ordenador con Windows. Para empezar, descarga Varjo Base.

1. Ve a **varjo.com/start**.
2. Crea una cuenta Varjo.
3. Descarga e inicia Varjo Base.
4. Sigue las instrucciones de configuración.

ES

Para usar el headset, se necesita una suscripción válida.

Puedes obtener más información en **varjo.com/subscriptions**.



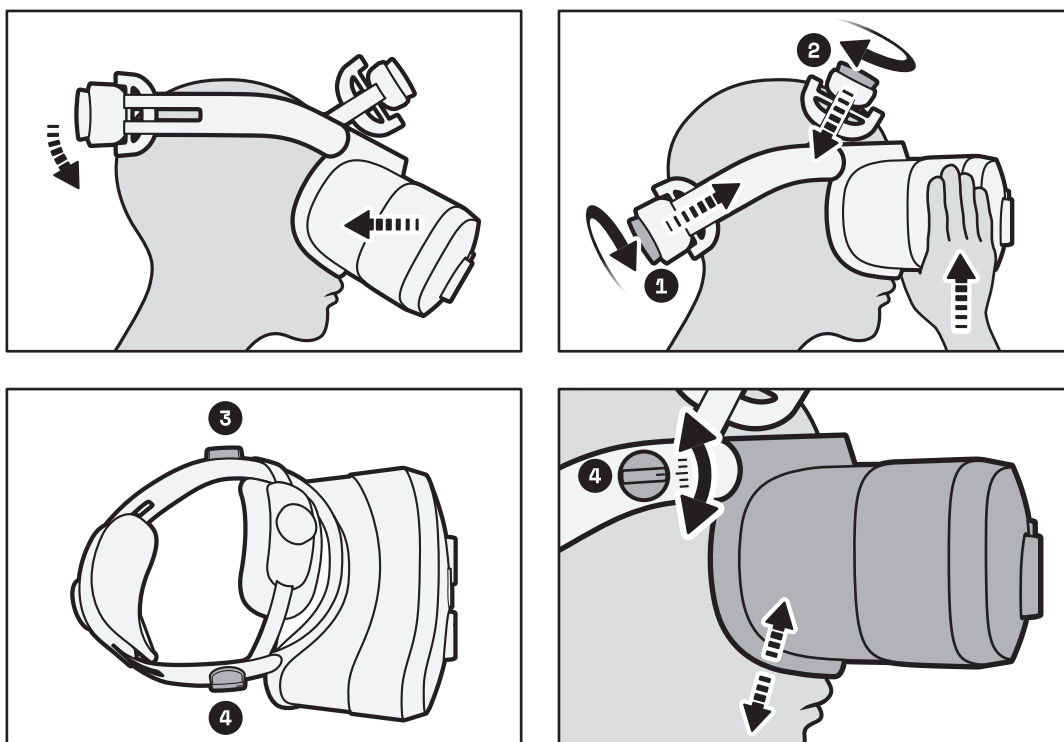
Ponerse el headset

Para ponerte el headset, colócate la parte frontal del headset en la cara y pasa la banda de sujeción por detrás de la cabeza. El headset es compatible con la mayoría de las gafas monofocales.

Ajusta el headset al ponértelo para que te resulte cómodo:

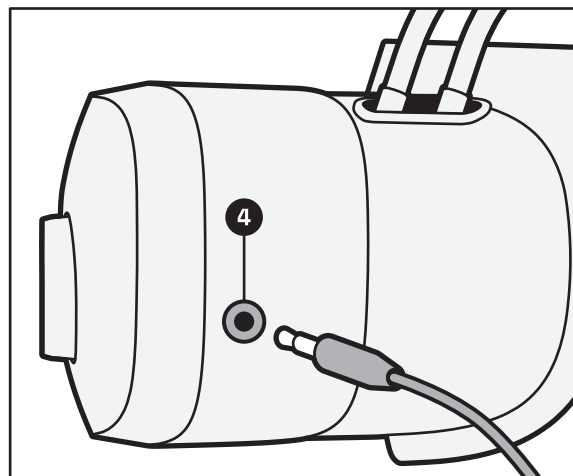
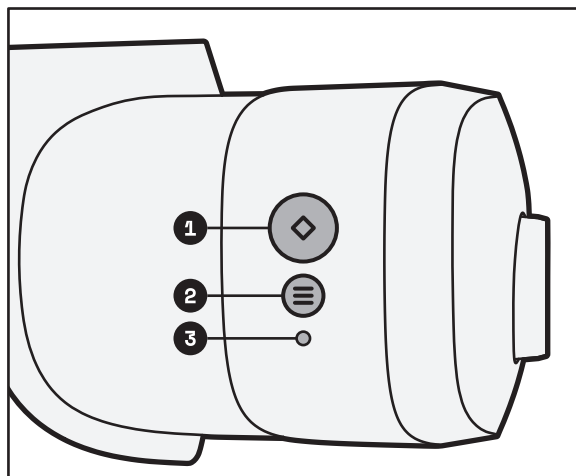
- 1**: Gira la rueda de ajuste trasera para apretar la banda de sujeción.
- 2**: Gira la rueda de ajuste frontal para subir o bajar el headset en la cara. Sujeta el headset con una mano durante el ajuste.
- 3** y **4**: Usa los botones laterales para modificar el ajuste del headset en la cara.

El headset debería apoyarse sobre la cabeza con comodidad y la imagen del interior debería ser nítida.



Usar el headset

ES



1 Botón de acción: interactúa con las aplicaciones

2 Botón de menú: abre el menú

3 Indicador LED de estado

4 Conector de auriculares

| Patrón del indicador LED | Estado del headset |
|----------------------------|-------------------------------|
| Luz blanca (parpadeante) | Iniciándose |
| Luz verde (fija) | Funciona adecuadamente |
| Luz verde (parpadeo lento) | En reposo |
| Luz verde (parpadeante) | Apagándose |
| Luz naranja (fija) | Varjo Base no se ha ejecutado |

Limpiar el headset

Limpiar el headset con frecuencia, sobre todo si lo compartes con otras personas.

Lentes del headset: límpialas con cuidado con toallitas para lentes ópticas o un paño de microfibra para lentes.

Cuerpo del headset, almohadillas, zona de la nariz y alrededor de las lentes: límpialos con toallitas antibacterianas no abrasivas.

Puedes comprar almohadillas adicionales en la Varjo Store.

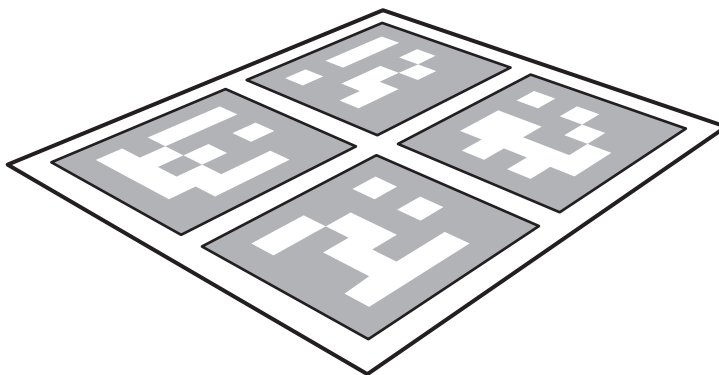


Usar el marcador de referencia de Varjo

Usa el marcador de referencia de Varjo para mejorar la precisión del seguimiento de dentro a fuera de Varjo.

El seguimiento de dentro a fuera se encuentra disponible para el headset de realidad mixta Varjo XR-3.

Para obtener más información, visita varjo.com/start/get-to-know-your-headset.



Información sobre el producto y seguridad

Uso previsto

El headset está diseñado para ser utilizado en interiores y solo por adultos. Si no utilizas el headset como está previsto, podría no funcionar correctamente.

Uso de alto riesgo

El software y/o los productos de Varjo no están diseñados, fabricados ni certificados para el control de ningún equipo o sistema, incluidos los equipos o sistemas de aviación, industriales, comerciales, militares o médicos y dicho uso o una avería del software o los productos podrían, con una probabilidad significativa, provocar lesiones físicas graves o la muerte de personas o animales, o daños físicos o ambientales graves («uso de alto riesgo»). VARJO RECOMIENDA ENCARECIDAMENTE NO DAR NINGÚN USO DE ALTO RIESGO AL SOFTWARE O LOS PRODUCTOS. Si aun así decides darle un uso de alto riesgo al software y/o los productos, será por tu cuenta y riesgo, asumiendo toda la responsabilidad y aceptando tomar todas las precauciones razonables para minimizar cualquier riesgo o daño resultante de dicho uso de alto riesgo y/o el fallo del software y/o los productos durante el uso de alto riesgo.

Etiqueta del tipo de producto

El nombre del modelo y el número de serie del headset están impresos en la etiqueta del tipo de producto ubicada en el soporte trasero de la banda de sujeción.

Advertencias de salud y seguridad

Para reducir el riesgo de lesiones personales, malestar o daños a la propiedad, asegúrate de que todos los usuarios del headset lean atentamente las siguientes advertencias antes de utilizarlo.



Antes de usar el headset

Para disfrutar de una experiencia cómoda de realidad virtual o mixta, se necesita un buen equilibrio y sentido del movimiento. No utilices el headset si estás enfermo, cansado, somnoliento, bajo la influencia del alcohol o las drogas, con resaca, si tienes un resfriado o la gripe, si sufres de problemas digestivos, estrés emocional o ansiedad, migrañas o dolores de cabeza, o si no te sientes bien en general, ya

que podría empeorar tu estado. Consulta con un médico antes de usar el headset si tienes alguna enfermedad que afecte a la visión o movilidad, si estás embarazada o si eres una persona de edad avanzada, si tienes problemas de corazón o alguna otra enfermedad grave, o si sufres de convulsiones, migrañas o problemas psiquiátricos.



Entorno seguro

Los headsets de Varjo proporcionan una experiencia inmersiva de realidad virtual o mixta que puede distraerte y dificultar la visualización del entorno real.

- Recuerda que los objetos virtuales que ves no existen en el mundo real y su tamaño y ubicación no son reales. No intentes sentarte en objetos virtuales, subirte a ellos ni apoyarte en ellos. Ten cuidado con cualquier objeto real que pudiera haber detrás de los objetos virtuales.
- Nunca uses el headset en situaciones que requieran atención, como caminar, montar en bicicleta o conducir. No utilices el headset dentro de un vehículo en movimiento.
- Recuerda que, cuando estés utilizando el headset, es posible que no te des cuenta si alguna persona entra en la zona en la que te encuentras.
- Antes de usar el headset, retira cualquier obstáculo y peligro de la zona, así como personas, muebles y cualquier otro elemento que pueda impedirte moverte libremente. Además, comprueba que tienes suficiente espacio sobre ti y a tu alrededor para poder extender los brazos al usar el headset.
- No uses el headset cerca de paredes, escaleras, balcones, ventanas, puertas abiertas, techos bajos, ventiladores de techo, lámparas, objetos frágiles, llamas, fuentes de calor o cualquier otro artículo con el que puedas chocar o que puedas derribar.
- Ten en cuenta la ubicación de cualquier cable para evitar pisarlo, tirar de él o tropezarte con él al usar el headset. No tires de los cables ni los enredes o dobles.
- No manipules objetos afilados ni peligrosos mientras usas el headset.



Malestar

Al usar el headset, algunas personas pueden experimentar sequedad ocular, fatiga visual, espasmos oculares o musculares, movimientos involuntarios, visión alterada, borrosa o doble u otras anomalías visuales, mareos, aturdimiento, desorientación, malestar o dolor en la cabeza o los ojos, dolores de cabeza, alteración del equilibrio, alteración de la coordinación entre la vista y las manos, sudoración excesiva, aumento de la salivación, náuseas, fatiga, pérdida del conocimiento o convulsiones y otros síntomas de cinetosis.

Cuando comiences a usar el headset, que las primeras sesiones sean breves y con descansos frecuentes. Si sientes cualquier tipo

de malestar, deja de usar el headset hasta que hayan desaparecido los síntomas. No conduzcas, utilices maquinaria ni participes en actividades visual o físicamente exigentes hasta que te hayas recuperado por completo de cualquier síntoma. Si no puedes ver los objetos virtuales de manera clara y cómoda, plantéate consultar con un médico.

Uso excesivo

Tómate descansos con frecuencia cuando uses el headset. El uso prolongado podría afectar la coordinación entre la vista y las manos y provocar otros efectos negativos.

Lesiones por un esfuerzo repetitivo

Usa el headset en una postura cómoda. No uses fuerza excesiva al agarrar el headset o pulsar los botones del mismo. Si experimentas hormigueo, entumecimiento, ardor, rigidez, palpitaciones u otras molestias, deja de usar el headset hasta que te hayas recuperado por completo de cualquier síntoma. Si los síntomas no desaparecen, consulta con un médico.

Interferencia con dispositivos médicos

El headset puede emitir ondas de radio que pueden afectar al funcionamiento de los dispositivos electrónicos cercanos, incluidos los marcapasos cardíacos, los audífonos y los desfibriladores. Si tienes un marcapasos u otro dispositivo médico implantado, no utilices el headset sin antes consultar con un médico o con el fabricante del dispositivo médico. Mantén una distancia segura entre el headset y los dispositivos médicos y deja de usar el headset si observas alguna interferencia con un dispositivo médico.

Pérdida auditiva

La exposición excesiva a sonidos fuertes puede provocar daños auditivos. Cuando utilices auriculares con el headset, comienza con un volumen bajo y ve subiéndolo poco a poco si es necesario. No subas demasiado el volumen.

Convulsiones

Algunas personas pueden experimentar mareos intensos, desmayos, ataques epilépticos o pérdida del conocimiento provocados por destellos de luz, patrones o la exposición a fuentes de luz infrarroja de un rastreador ocular aunque nunca hayan sufrido estos síntomas antes. Si experimentas alguno de estos síntomas, deja de usar el headset y consulta con un médico. Si has padecido estos síntomas alguna vez, consulta con un médico antes de usar el headset. Para reducir las probabilidades de sufrir convulsiones, no utilices el headset si estás cansado.

Sin protección ocular

Los headsets de Varjo no proporcionan protección ocular contra impactos, residuos, productos químicos, luz ultravioleta, otras luces dañinas, partículas, proyectiles u otros peligros físicos.

Descarga eléctrica

No intentes desmontar, abrir, reparar o modificar el headset o la unidad de alimentación, ya que podría provocarse una descarga eléctrica u otro peligro, y el headset o la unidad de alimentación podrían resultar dañados. En el caso de EQUIPOS ENCHUFABLES, la toma de corriente debe instalarse cerca del equipo y se debe poder acceder a ella con facilidad. Utiliza el headset solamente con la unidad de alimentación (Adapter Technology Co., Ltd. (ATS036T-W120V (Nivel VI)) ENTRADA universal 100~240 Vac/50 ~ 60 Hz, 1A, SALIDA +12 V/0~3 A y el adaptador de headset suministrados en el embalaje de venta. El uso de otras fuentes de alimentación puede ser peligroso.

PRODUCTO LÁSER DE CLASE 1

(Aplicable solo al headset de realidad mixta Varjo XR-3)

Dispositivo dañado o roto

No utilices el headset si alguna pieza está rota o dañada, si los cables suministrados están dañados o si hay algún cable interno sin protección. No intentes reparar ninguna pieza del headset por tu cuenta. Las reparaciones deben ser realizadas únicamente por un centro de reparación autorizado o por Varjo.

Enfermedades contagiosas

Para evitar el riesgo de transmitir enfermedades contagiosas de una persona a otra, no compartas el headset con personas con infecciones o enfermedades, especialmente en los ojos, la piel o el cuero cabelludo.

Irritación de la piel

Deja de usar el headset si experimentas hinchazón, picazón u otra irritación. Si los síntomas no desaparecen, consulta con un médico.

Información de seguridad

Para evitar daños al headset y que tú u otras personas sufráis lesiones, lee esta información de seguridad antes de usar el headset.

Llevar el headset

Cuando te pongas el headset por primera vez, sigue las instrucciones sobre cómo colocártelo correctamente en la cabeza. El headset debería apoyarse sobre la cabeza con comodidad y la imagen del interior debería ser nítida. No deberías sentir dolor ni presión en la cabeza y la almohadilla debería apoyarse cómodamente en la cara.

Cuando te pongas el headset, las lentes se ajustarán automáticamente en función de la distancia interpupilar. Esta configuración está activada de forma predeterminada. Te recomendamos que la mantengas activada. No obstante, puedes desactivar el ajuste automático si no te resulta adecuado, por ejemplo porque lleves gafas o sufras de cualquier afección que afecte a la vista. Si desactivas el ajuste automático, es posible que sientas cierto malestar al usar el headset.

Iluminación

Utiliza el headset en un entorno con buena iluminación para disfrutar de un rendimiento óptimo de las cámaras. Ten en cuenta que las superficies reflectantes pueden interferir con el seguimiento posicional.

Cuidado y mantenimiento

Manipula el headset con cuidado y guárdalo en un lugar limpio y sin polvo.

Luz solar y fuentes de iluminación externas

No dejes el headset expuesto a la luz solar directa ni a una luz ultravioleta intensa. La exposición a la luz solar directa puede dañar la óptica y la pantalla. No dirijas un láser ni una fuente de luz externa a través de las lentes.

⚠ Daños

- No dejes caer ni dobles el headset ni lo golpees contra otros objetos, ya que podría alterar la calibración de las lentes de la cámara.
- No rayes las lentes de la cámara.
- Para levantar el headset, sujeta el cuerpo del producto o la banda del sujetación.
- No levantes el headset sujetándolo por las almohadillas o los cables.
- No pises los cables.

⚠ Daños que requieran de reparación

El headset deberá ser reparado únicamente por personal cualificado. Contacta con un centro de reparación autorizado si:

- El headset se ha caído o ha sido expuesto a algún líquido.
- El headset ha sufrido un golpe o está dañado.
- El headset se sobrecalienta.
- El headset no funciona adecuadamente cuando sigues las instrucciones de funcionamiento.

Limpieza

Antes de limpiar el headset, desenchúfalo de la fuente de alimentación. Limpia el cuerpo del headset con toallitas antibacterianas no abrasivas. No uses jabón, productos químicos agresivos, alcohol, disolventes de limpieza, productos de limpieza líquidos ni aerosoles. No limpies nunca el headset con agua. Limpia las lentes y la placa frontal del headset con cuidado utilizando toallitas para lentes ópticas o un paño de microfibra para lentes. No limpies las lentes con productos químicos ni productos de limpieza líquidos. Limpia las almohadillas con toallitas antibacterianas no abrasivas.

Temperatura del dispositivo

Es normal que el headset esté algo caliente al tacto mientras lo usas. En particular, las cámaras frontales y las superficies de ventilación de aire pueden calentarse. El contacto prolongado de la piel con un headset que está caliente al tacto puede causar molestias en la piel, enrojecimiento o quemaduras leves. Si el headset está demasiado caliente al tacto o como para usarlo con comodidad, deja de utilizarlo hasta que se enfríe.

Accesorios

No uses el headset con software o accesorios incompatibles o no autorizados. Si utilizas software o accesorios no autorizados, podría verse afectado el rendimiento o podrían producirse daños o lesiones. Puedes consultar la lista de software y accesorios compatibles en varjo.com/support.

Entorno de funcionamiento y de almacenamiento

Colocación

Utiliza los headsets solo en áreas con una ventilación adecuada.

- No cubras el headset.
- No cubras los orificios de ventilación de la parte superior e inferior del headset.
- No coloques el headset cerca de objetos que pudieran rayar las lentes.
- No expongas el headset a llamas ni productos para fumar encendidos.

- No coloques el headset cerca de fuentes de calor, zonas calientes o temperaturas extremas.
- No utilices el headset cerca de agua u otros líquidos.
- No utilices el headset después de que se produzca un cambio drástico de temperatura. Cuando traslades el headset de un entorno a otro con temperaturas y/o rangos de humedad muy diferentes, se puede formar condensación en o dentro del headset. Espera a que la condensación se disipe antes de usar el headset.

Nota: Cuando traslades el headset de un entorno a baja temperatura a otro más cálido o viceversa, deja que el headset se aclimate a la temperatura ambiente antes de encenderlo. Utiliza el headset a temperaturas entre 10 °C y 27 °C. Guarda el headset en su embalaje de venta a temperaturas entre 0 °C y 40 °C para mantener al mínimo cualquier posible daño.

ES

Frecuencias de radio

| Componente | Clasificación | Frecuencia | Potencia de salida máxima |
|------------|---------------|----------------|---------------------------|
| Headset | 12 V, 3 A | 2,402-2,48 Ghz | 1 mW |

Reciclaje

La Directiva 2012/19/UE sobre residuos de aparatos eléctricos y electrónicos (RAEE), que entró en vigor el 13 de febrero de 2003, supuso un cambio importante en el tratamiento de los equipos eléctricos al final de su vida útil. Consulta las normativas locales para la eliminación adecuada de productos electrónicos.



El símbolo del contenedor tachado del headset, la batería, el material de lectura y el embalaje sirve para recordarte que debes llevar todos los productos eléctricos y electrónicos, las baterías y los materiales de embalaje para su recogida por separado al final de su vida útil. No deseches estos productos como residuos municipales sin clasificar; recíclalos. Para obtener información sobre el punto de reciclaje más cercano, consulta con las autoridades locales de gestión de residuos.

CE Aviso de la Unión Europea

Por la presente, Varjo declara que los headsets HS-5 y HS-6 cumplen con la Directiva 2014/53/UE. El texto completo de la declaración de conformidad de la UE está disponible en la siguiente página web: varjo.com/compliance.

Nota: Este equipo ha sido probado y cumple con los límites del criterio C.

Una descarga electrostática directa de +/- 500V o más al conjunto de la cámara puede perjudicar el funcionamiento. En ese caso, podría

ser necesario reiniciar el sistema de la cámara para que vuelva a funcionar adecuadamente.

FC Información al usuario sobre la FCC y el ISED

Nota: Este equipo ha sido probado y cumple con los límites para un dispositivo digital de clase A, de acuerdo con el apartado 15 de las reglas de la FCC. Estos límites están diseñados para proporcionar una protección razonable contra interferencias perjudiciales cuando se utiliza el equipo en un entorno comercial. Este equipo genera, usa y puede irradiar energía de radiofrecuencia y, si no se instala y se usa de acuerdo con el manual de instrucciones, puede provocar interferencias en las comunicaciones por radio. Es probable que el uso de este equipo en un área residencial provoque interferencias, en cuyo caso el usuario deberá corregir dichas interferencias por cuenta propia.

Este aparato digital de clase A cumple con la norma canadiense ICES-003.



Propuesta 65 de California

ADVERTENCIA: Cáncer: www.P65Warnings.ca.gov.

Declaración de cumplimiento con la FCC y el ISED

Este dispositivo cumple con el apartado 15 de las normas de la FCC y la norma RSS-247 del Ministerio de Industria de Canadá (ISED). El uso está sujeto a las dos condiciones siguientes:

- (1) el dispositivo no debería provocar interferencias y
- (2) el dispositivo debe admitir cualquier interferencia, incluidas las interferencias que puedan provocar un funcionamiento no deseado.

Los cambios o modificaciones no aprobados expresamente por la parte responsable del cumplimiento podrían anular la autoridad del usuario para utilizar el equipo.

Declaración de exposición a la radiación de la FCC y del ISED

Este equipo cumple con los límites de exposición a la radiación de la FCC y del Ministerio de Industria de Canadá establecidos para un ambiente no controlado. Este transmisor no debe colocarse en un lugar en el que ya haya otra antena o transmisor ni debe utilizarse al mismo tiempo que estos.

Conformidad con la RoHS

Este equipo cumple con la Directiva 2011/65/UE del Parlamento Europeo y del Consejo del 8 de junio de 2011 sobre la restricción del uso de ciertas sustancias peligrosas en equipos eléctricos y electrónicos (RoHS) y sus enmiendas.

Garantía comercial limitada de Varjo

EL PRODUCTO DE VARJO ESTÁ DISEÑADO PARA USO COMERCIAL Y NO PARA SU VENTA A CONSUMIDORES. ESTA GARANTÍA COMERCIAL LIMITADA LE OTORGA DERECHOS LEGALES ESPECÍFICOS. ADEMÁS, PODRÍA TENER OTROS DERECHOS LEGALES QUE VARIÉN EN FUNCIÓN DEL ESTADO Y DEL PAÍS.

1. Definiciones

Las siguientes definiciones se aplican a esta garantía limitada:

- «Producto de Varjo» se refiere al headset de Varjo y cualquier accesorio provisto en el embalaje en el momento de la compra original a un distribuidor autorizado o a Varjo («Distribuidor autorizado»).
- «Usted» y «su» se refieren al usuario comercial original que adquirió el producto de Varjo a un distribuidor autorizado.
- El «Período de garantía» es de doce (12) meses a partir de la fecha de compra del producto de Varjo a un distribuidor autorizado.
- «Condiciones de uso normal» significa el uso comercial convencional de acuerdo con el manual del usuario.
- «Manual del usuario» se refiere a todas y cada una de las instrucciones de uso, directrices de seguridad y cualquier otra documentación proporcionada en el embalaje o publicada en línea por Varjo.

2. Cobertura

Varjo le garantiza exclusivamente que, durante el Período de garantía, el Producto de Varjo funcionará esencialmente de acuerdo con las especificaciones técnicas de Varjo en Condiciones de uso normal. Esta garantía limitada no cubre ningún software ni otros productos necesarios para utilizar el Producto de Varjo que no se encuentren en el embalaje en el momento de la compra original del Producto de Varjo. Dichos productos están sujetos a sus propias condiciones de uso o de otro tipo, incluso si están destinados o indicados para su uso con el Producto de Varjo.

Esta garantía limitada es válida y ejecutable solo si usted ha comprado el Producto de Varjo nuevo a un distribuidor autorizado y dicho producto de Varjo se ha suministrado en su embalaje original sellado. No es posible ceder ni transferir esta garantía limitada a

ningún tercero, a menos que dicha restricción esté prohibida por ley.

Si devuelve el Producto de Varjo durante el Período de garantía y se cumplen las condiciones de esta garantía limitada, Varjo o su socio de reparación, a su exclusivo criterio, lo repararán o sustituirán.

La reparación o sustitución puede implicar el uso de un producto de Varjo reacondicionado con un funcionamiento equivalente y/o piezas reacondicionadas, a menos que lo prohíba la ley. Al sustituir el Producto de Varjo, Varjo puede sustituirlo por el mismo modelo o, si este no está disponible, por el modelo más similar al modelo original. Varjo o su socio de reparación le devolverá, corriendo con los gastos, el producto de Varjo reparado o de sustitución. Cualquier Producto de Varjo que usted envíe a Varjo y que sea sustituido por Varjo pasará a ser propiedad de Varjo.

Si Varjo repara o sustituye el Producto de Varjo, el Producto Varjo reparado o sustituido seguirá estando en garantía durante el tiempo restante del Período de garantía original o durante tres (3) meses a partir de la fecha de reparación o sustitución, lo que sea más largo.

La reparación o sustitución del Producto de Varjo es su único y exclusivo recurso y la única obligación que tiene Varjo por cualquier reclamación o pérdida que resulte de un defecto del Producto de Varjo. Si determinamos, a nuestro exclusivo criterio, que ninguno de los medios enumerados constituiría una manera razonable de reparar el defecto o la avería, entonces podríamos reembolsarle el importe que pagó por la compra del producto.

Esta garantía limitada constituye la garantía final, completa y exclusiva ofrecida por Varjo con respecto al Producto de Varjo, y ninguna otra persona ni entidad (incluido el distribuidor autorizado) está autorizada para realizar otras garantías o declaraciones en nombre de Varjo. A EXCEPCIÓN DE LAS GARANTÍAS LIMITADAS EXPRESAS PROPORCIONADAS EN ESTA GARANTÍA LIMITADA, VARJO RENUNCIA A CUALQUIER OTRA GARANTÍA Y DECLARACIÓN EXPRESA O IMPLÍCITA DE CUALQUIER TIPO, INCLUIDA CUALQUIER GARANTÍA IMPLÍCITA DE COMERCIABILIDAD E IDONEIDAD PARA UN PROPÓSITO EN PARTICULAR. SALVO QUE SE INDIQUE LO CONTRARIO EN ESTA GARANTÍA LIMITADA, TODOS LOS PRODUCTOS DE VARJO SE SUMINISTRAN «TAL CUAL» Y «CON TODOS SUS DEFECTOS». Si y en la medida en que no se pueda rechazar una garantía implícita, su duración se limitará al Período de garantía. Si la ley vigente no permite limitaciones sobre la duración de una garantía implícita, es posible que esta limitación no se aplique en su caso.

Si usted no es el comprador original del Producto de Varjo, esta garantía limitada no se aplica en su caso. Si el Período de garantía ha vencido, si el Producto de Varjo no cumple con las condiciones de esta garantía limitada o si no realiza su reclamación de acuerdo con la sección 5 de la garantía, esta garantía limitada no se aplicará. Si

esta garantía limitada no se aplica, Varjo puede ofrecerle servicios fuera de garantía a un precio determinado, en cuyo caso usted podrá ser responsable de cualquier gasto derivado la reparación o sustitución de su Producto de Varjo.

3. ¿Cómo puede obtener asistencia?

Si tiene un problema con su producto de Varjo, vaya a **varjo.com/support** para obtener ayuda y consultar la información de contacto, así como para presentar un formulario de reclamación de garantía. Si es necesario que envíe su Producto de Varjo para que lo reparemos o sustituyamos, le proporcionaremos instrucciones sobre cómo hacerlo. Es posible que deba abonar los gastos de envío del Producto de Varjo. Cuando recibamos el Producto de Varjo, determinaremos si existe un defecto o avería cubiertos por esta garantía limitada. Si encontramos un defecto o avería cubiertos por esta garantía limitada, repararemos o sustituiremos el Producto de Varjo para proporcionarle un Producto de Varjo que cumpla sustancialmente con las especificaciones técnicas de Varjo en Condiciones de uso normal y le enviaremos el Producto de Varjo reparado o de sustitución, si lo hubiera, por cuenta nuestra. Es posible que no le devolvamos el Producto de Varjo original. Si nos envía un Producto de Varjo sin un comprobante de compra válido, le devolveremos el Producto de Varjo y usted correrá con los gastos, sujeto a un pago por adelantado, o, en caso de que no abone dichos costes por adelantado, conservaremos el Producto de Varjo durante treinta (30) días para que lo recoja, periodo tras el cual lo desecharemos.

4. ¿Qué no está cubierto?

Esta garantía limitada no cubre lo siguiente, de lo cual Varjo no es responsable: (i) productos de Varjo de segunda mano o revendidos; (ii) productos de Varjo no comprados a distribuidores autorizados; o (iii) cualquier software (incluido, entre otros, cualquier software del Producto de Varjo y cualquier software para PC proporcionado por Varjo).

Además, esta garantía limitada no cubre daños al Producto de Varjo ni la pérdida del Producto de Varjo como resultado de los siguientes casos, de los cuales Varjo no es responsable: (i) un accidente (por ejemplo, golpe accidental, exposición a líquidos, alimentos u otros contaminantes, etc.) o robo; (ii) cualquier uso que no esté de acuerdo con las Condiciones de uso normal o cualquier otro uso indebido (incluidos, entre otros, negligencia, abuso o alteración); (iii) el uso con un producto inadecuado que Varjo no venda ni del cual proporcione licencia; (iv) el uso con una ventilación inadecuada; (v) el uso por parte de menores; (vi) el no cumplimiento de nuestras medidas de seguridad; (vii) ingeniería inversa; (viii) defectos o daños provocados por virus u otros problemas de software introducidos en el Producto de Varjo; (ix) el uso del Producto de Varjo en contra de cualquier ley, reglamento u ordenanza en vigor allí donde se utilice el

Producto de Varjo; (x) defectos o daños causados por reparaciones no autorizadas; (xi) casos de fuerza mayor, incluidos, entre otros, rayos, inundaciones, tornados, terremotos o huracanes; y/o (xii) daños cosméticos (por ejemplo, arañazos).

Además, esta garantía limitada no cubre daños al Producto de Varjo ni la pérdida del producto de Varjo como resultado del desgaste normal del dispositivo y de las piezas consumibles, daños de los cuales Varjo no es responsable.

Por último, esta garantía limitada no incluye ninguna garantía específica de que el Producto de Varjo esté libre de errores ni con respecto al tiempo de actividad, la disponibilidad constante, la seguridad de los datos del software o de las cuentas en línea, o de que cualquier software, firmware o sitio web funcione sin interrupciones ni errores. Esta garantía limitada quedará anulada si el Producto de Varjo se devuelve con etiquetas retiradas, dañadas o manipuladas o con cualquier alteración (incluida la eliminación no autorizada de cualquier componente o cubierta externa). [Esta garantía limitada no cubre la pérdida de datos. Si desea conservar sus datos, es responsabilidad suya hacer una copia de seguridad de los datos, electrónica o física, de forma periódica. Cualquier daño o coste relacionado con la recuperación, eliminación e instalación de datos no es recuperable en función de esta garantía limitada].

5. Limitación de responsabilidad

EN LA MAYOR MEDIDA PERMITIDA POR LA LEY APLICABLE, NI VARJO NI SUS PROVEEDORES SERÁN RESPONSABLES DE NINGÚN DAÑO INDIRECTO, CONSIGUIENTE, DERIVADO, PUNITIVO O ESPECIAL, INCLUIDOS, ENTRE OTROS, LA PÉRDIDA DE GANANCIAS O BENEFICIOS, INTERRUPCIÓN COMERCIAL, PÉRDIDA DE INFORMACIÓN EMPRESARIAL, PERDIDA DE DATOS, PÉRDIDA DE PRIVACIDAD, PÉRDIDA DE CONFIDENCIALIDAD, COSTE DE CUALQUIER ARTÍCULO O EQUIPO SUSTITUIDO O PÉRDIDA DE USO MIENTRAS SE SUSTITUYE O REPARA EL PRODUCTO DE VARJO. HASTA EL MÁXIMO QUE LO PERMITA LA LEY APLICABLE, LA RESPONSABILIDAD TOTAL DE VARJO Y SUS PROVEEDORES DE ACUERDO CON ESTA GARANTÍA LIMITADA ESTARÁ LIMITADA AL IMPORTE REAL QUE USTED HAYA PAGADO POR EL PRODUCTO DE VARJO. ESTAS EXCLUSIONES SON APLICABLES INCLUSO SI UN RECURSO NO CUMPLE CON SU FINALIDAD ESENCIAL O SE HA INFORMADO A VARJO DE LA POSIBILIDAD DE ESTOS DAÑOS, PARA CUALQUIER RECLAMACIÓN QUE SURJA DE ESTA GARANTÍA LIMITADA O ESTÉ RELACIONADA CON ESTA GARANTÍA LIMITADA, INDEPENDIENTEMENTE DEL TIPO DE ACCIÓN, YA SEA POR CONTRATO, AGRAVIO (INCLUIDA LA NEGLIGENCIA), RESPONSABILIDAD ESTRICTA DEL PRODUCTO O CUALQUIER OTRA CAUSA DE ACCIÓN O TEORÍA LEGAL O EQUITATIVA. Algunos

estados y países no permiten la exclusión o limitación de daños resultantes o derivados, por lo que es posible que las limitaciones o exclusiones de esta garantía limitada no se apliquen en su caso.

Ningún empleado o representante de Varjo ni sus filiales o terceros están autorizados para realizar modificaciones, ampliaciones o incorporaciones a la garantía comercial limitada o a cualquier parte de estas condiciones.

6. Disposiciones generales

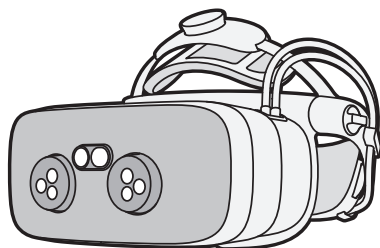
6.1 Esta garantía limitada está sujeta a la ley finlandesa, excluyendo la libertad de elección de las disposiciones de la ley. No se aplicará la Convención de las Naciones Unidas sobre los Contratos de Compraventa Internacional de Mercaderías. Cualquier litigio, controversia o demanda que surja de esta garantía limitada se resolverá en última instancia mediante arbitraje, de acuerdo con las reglas de arbitraje de la Cámara de Comercio de Finlandia. La sede del arbitraje será Helsinki. El idioma del arbitraje será el inglés.

6.2 Si se determina que alguna disposición de esta garantía limitada es ilegal, no válida o inaplicable según las leyes de cualquier jurisdicción, esto no afectará a la legalidad, validez o aplicabilidad de cualquier otra disposición de la garantía limitada.

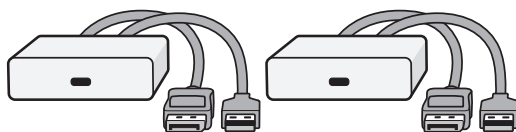
Contenuto della confezione

XR-3

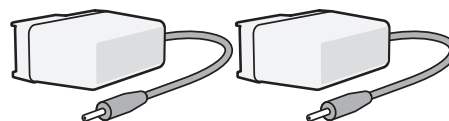
visore per la realtà mista



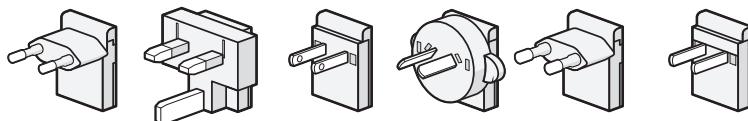
2 adattatori visore



2 unità di alimentazione



6 prese di corrente, 2 per tipologia



EURO

UK

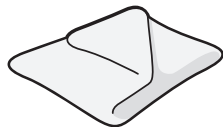
US

AUS

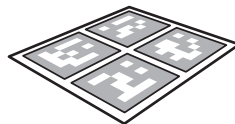
KOR

CHN

Panno per la pulizia

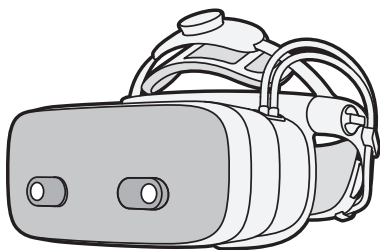


Marker di riferimento Varjo

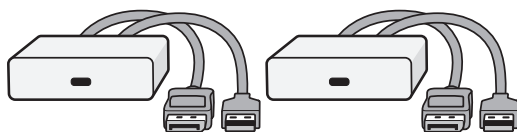


VR-3

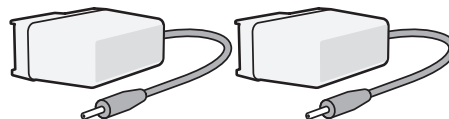
visore per la realtà virtuale



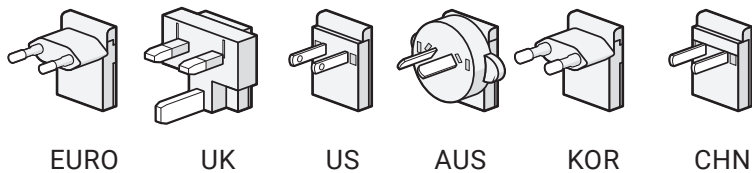
2 adattatori visore



2 unità di alimentazione



6 prese di corrente, 2 per tipologia



EURO

UK

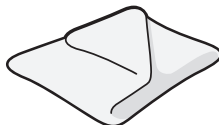
US

AUS

KOR

CHN

Panno per la pulizia

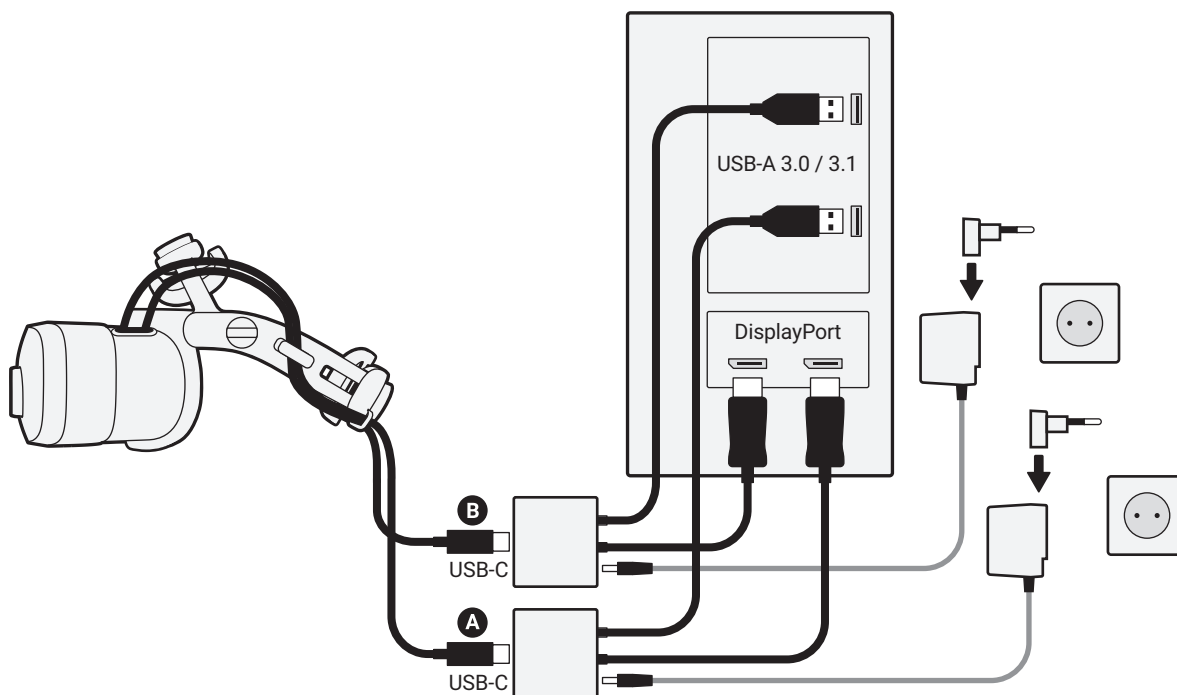


Collegare il visore

I visori Varjo sono compatibili con i computer Windows.

1. **A** e **B** : collega ogni cavo del visore a un adattatore per il visore.
2. Adattatori per il visore: collega ogni adattatore a una porta DisplayPort della scheda grafica e a una porta USB-A 3.0/3.1 della scheda madre.

Per consultare i requisiti di sistema più in dettaglio, collegati all'indirizzo varjo.com/start/system.



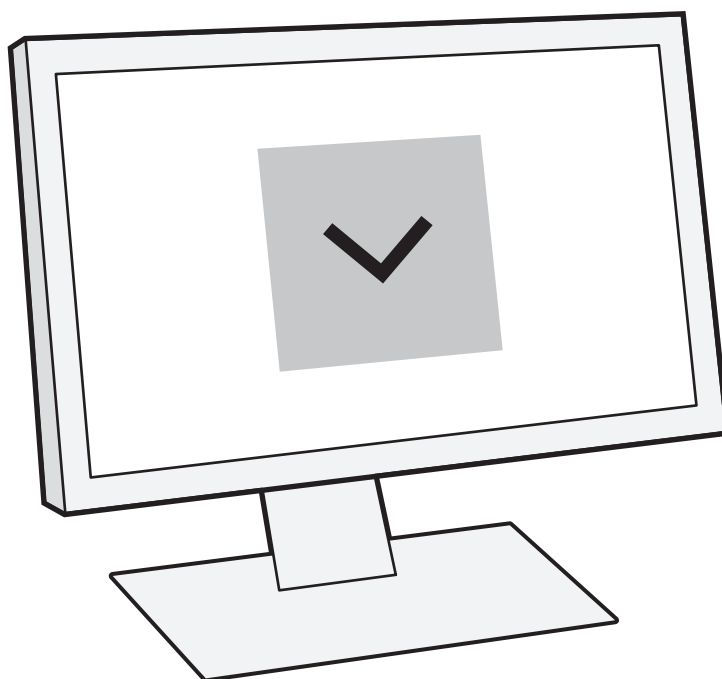
Scaricare il software Varjo Base

Varjo Base è il software utilizzato per far funzionare il visore su un computer Windows. Scarica Varjo Base per iniziare.

1. Vai su **varjo.com/start**.
2. Crea un account Varjo.
3. Scarica e avvia Varjo Base.
4. Segui le istruzioni di installazione.

Per utilizzare il visore è necessario un abbonamento valido.

Per ulteriori informazioni, consulta **varjo.com/subscriptions**.



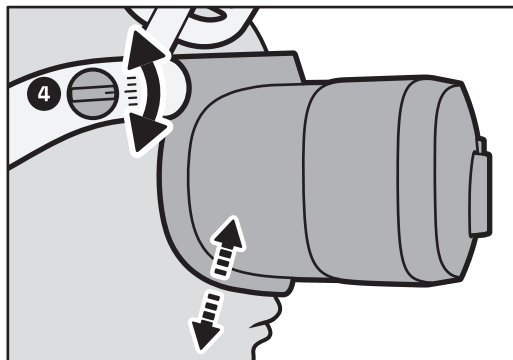
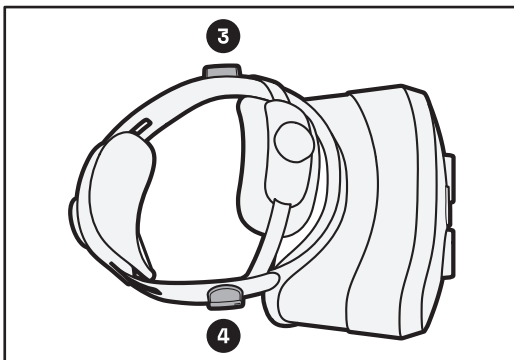
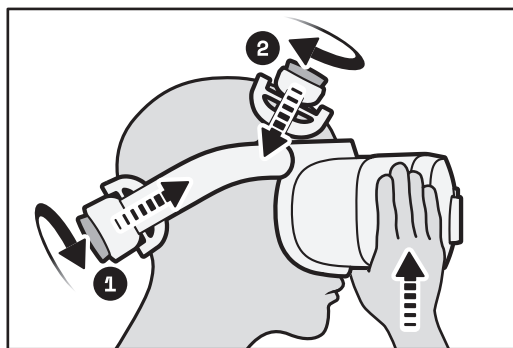
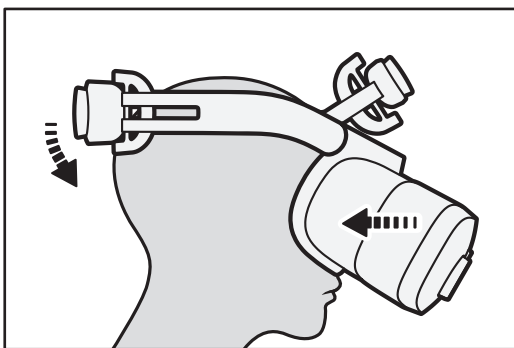
Indossare il visore

Per indossare il visore, posiziona la parte anteriore sul volto e tira la fascia sopra la testa fino alla nuca. Puoi indossare gli occhiali mentre utilizzi il visore, che funziona con quasi la totalità delle montature.

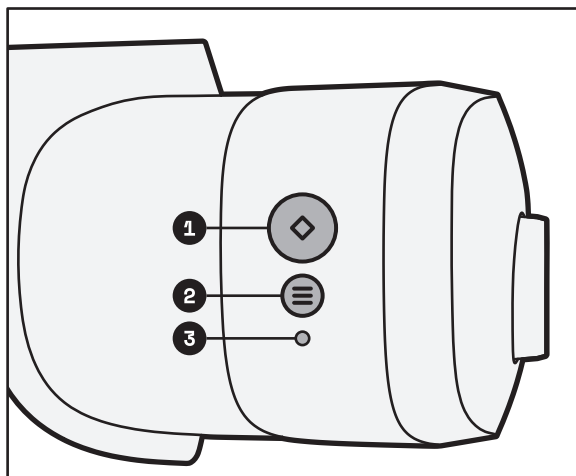
Regola la vestibilità del visore mentre lo indossi in modo che sia confortevole:

- 1** : utilizza la rotella di regolazione posteriore per stringere la fascia per la testa.
- 2** : utilizza la rotella di regolazione anteriore per modificare la posizione del visore sulla tua testa verso l'alto o verso il basso. Mantieni fermo il corpo principale del visore con una mano mentre effettui le regolazioni.
- 3** e **4** : usa le manopole laterali per regolare l'aderenza del visore al volto.

Hai completato la regolazione del visore una volta che lo indossi comodamente e che l'immagine all'interno appare definita.



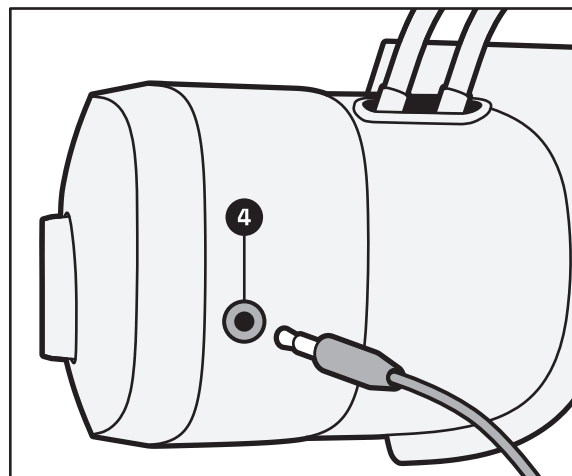
Usare il visore



❶ Pulsante Azione per interagire con le applicazioni

❷ Pulsante Menu per aprire il menu

❸ LED di stato



❹ Connettore delle cuffie

| Schema dei LED | Stato del visore |
|-----------------------|------------------------------|
| Bianco (lampeggiante) | Avvio |
| Verde (fisso) | Funzionamento corretto |
| Verde (pulsazione) | Inattivo |
| Verde (lampeggiante) | Spegnimento |
| Arancione (fisso) | Varjo Base non in esecuzione |

Pulire il visore

Pulisci regolarmente il visore, specialmente quando lo si condivide con altre persone.

Lenti del visore: pulisci delicatamente con salviette per lenti ottiche oppure con un panno in microfibra per lenti.

Corpo del visore, cuscinetti, zona del naso e aree circostanti le lenti: pulisci con salviette antibatteriche non abrasive.

Puoi acquistare cuscinetti aggiuntivi nel Varjo Store.

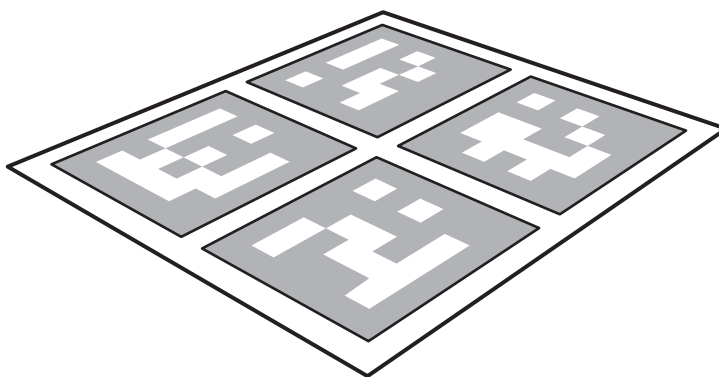


Come utilizzare il marker di riferimento Varjo

Utilizza il marker di riferimento Varjo per migliorare la precisione del tracciamento "inside-out" Varjo.

Il sistema di tracciamento "inside-out" Varjo è disponibile per il visore per la realtà mista Varjo XR-3.

Per ulteriori informazioni, visita la pagina varjo.com/start/get-to-know-your-headset .



Informazioni sul prodotto e sulla sicurezza

Utilizzo previsto

Il visore è destinato esclusivamente all'uso in interni e solo da adulti. Un utilizzo che esula dalla condizione prevista potrebbe causare il malfunzionamento del visore.

Utilizzo ad alto rischio

Il software e/o i prodotti Varjo non sono progettati, ingegnerizzati o certificati per il controllo di qualsiasi apparecchiatura o sistema, inclusi dispositivi o sistemi aeronautici, industriali, commerciali, militari o medici, in un modo in cui tale uso o un malfunzionamento del software o del prodotto potrebbero, con una significativa probabilità, provocare gravi lesioni o la morte di persone o animali, oppure gravi danni fisici o ambientali ("utilizzo ad alto rischio"). VARJO SCONSIGLIA VIVAMENTE L'UTILIZZO DEL SOFTWARE O DEI PRODOTTI PER QUALSIASI UTILIZZO AD ALTO RISCHIO. Se decidi di utilizzare il software e/o i prodotti per un utilizzo ad alto rischio, lo fai a tuo rischio, assumendotene ogni responsabilità e assicurandoti di prendere tutte le precauzioni ragionevoli per ridurre al minimo qualsiasi rischio e danno derivante da tale utilizzo ad alto rischio e/o guasto del software e/o dei prodotti durante l'utilizzo ad alto rischio.

Etichetta di tipologia del prodotto

Il nome del modello e il numero di serie del visore sono stampati sull'etichetta che indica la tipologia del prodotto, situata sul supporto posteriore della fascia per la testa.

Avvertenze per la salute e la sicurezza

Per ridurre il rischio di lesioni personali, disagio o danni alla proprietà, assicurati che tutti gli utenti del visore leggano attentamente le avvertenze di seguito prima di utilizzarlo.

Prima di usare il visore

Un'esperienza di realtà virtuale o mista richiede senso del movimento e di equilibrio inalterati. Non usare il visore in caso di malessere, stanchezza, sonnolenza, di assunzione di farmaci o alcol, in presenza di problemi digestivi, sotto stress emotivo o ansia, in caso di raffreddore, influenza, emicrania o mal di testa, o anche in caso

di lieve malessere, perché la tua condizione potrebbe peggiorare. Consulta un medico prima di utilizzare il visore in caso di condizioni che compromettono la vista o la mobilità, in caso di gravidanza o di età avanzata, se soffri di patologie cardiache o di altre condizioni mediche gravi, oppure di convulsioni, emicrania o condizioni psichiatriche.

Ambiente sicuro

I visori Varjo producono un'esperienza di realtà mista o virtuale che potrebbe distrarti e rendere difficile vedere l'ambiente reale circostante.

- Ricorda che tutti gli oggetti virtuali che vedi non esistono nell'ambiente reale e la loro dimensione e posizione non sono reali. Non provare a sederti o a stare in piedi su oggetti virtuali e non utilizzarli come supporto. Fai attenzione a qualsiasi oggetto del mondo reale che potrebbe trovarsi dietro oggetti virtuali.
- Non utilizzare mai il visore in situazioni che richiedono attenzione, ad esempio mentre si cammina, si va in bicicletta o si guida. Non utilizzare il visore mentre ti trovi in un veicolo in movimento.
- Ricorda che mentre stai usando il visore, potresti non accorgerti delle persone che entrano nell'area di utilizzo.
- Prima di utilizzare il visore, assicurati che l'area sia libera da ostacoli e pericoli, persone, mobili e da qualsiasi altro oggetto che potrebbe impedire il movimento libero. Inoltre, controlla di avere abbastanza spazio sopra e intorno a te in modo da poter estendere le braccia mentre usi il visore.
- Non utilizzare il visore in prossimità di pareti, scale, balconi, finestre, porte aperte, soffitti bassi, ventilatori a soffitto, lampadari, oggetti fragili, fiamme libere, fonti di calore o qualsiasi altro oggetto con cui puoi entrare in collisione o rovesciare.
- Tieni a mente la posizione dei cavi del dispositivo e di quelli di alimentazione in modo da non calpestarli, inciampare o tirarli mentre utilizzi il visore. Non stratonare, annodare o piegare i cavi del dispositivo o di alimentazione.
- Non maneggiare oggetti appuntiti o pericolosi durante l'utilizzo del visore.

Malessere

Quando si utilizza il visore, alcune persone possono avvertire secchezza o affaticamento degli occhi, contrazioni agli occhi o ai muscoli, movimenti involontari, visione alterata, offuscata, doppia o altre anomalie visive, vertigini, capogiri, disorientamento, disagio o dolore alla testa o agli occhi, mal di testa, disturbi dell'equilibrio, ridotta coordinazione occhio-mano, sudorazione eccessiva, aumento della salivazione, nausea, affaticamento, perdita di coscienza o convulsioni e altri sintomi di cinetosi.

Quando inizi a utilizzare il visore, assicurati che le prime sessioni siano brevi e fai pause regolari. In caso di fastidio, interrompi l'uso del visore e continua solo dopo che i sintomi sono terminati. Non guidare, utilizzare macchinari o intraprendere altre attività visivamente o fisicamente impegnative fino a quando non ti sei completamente ripreso da qualsiasi sintomo. Considera la possibilità di consultare un medico se non sei in grado di vedere gli oggetti virtuali in modo chiaro e confortevole.

Uso eccessivo

Fai pause regolari quando usi il visore. L'uso prolungato può influire sulla coordinazione occhio-mano o sull'equilibrio e può causare altri effetti negativi.

Lesioni da stress ripetitivo

Usa il visore in una posizione comoda. Non esercitare una forza eccessiva quando afferra il visore o premi i pulsanti. Se avverti formicolio, intorpidimento, bruciore, rigidità, pulsazioni o altri fastidi, interrompi l'uso del visore e riposa finché i sintomi non sono passati completamente. Se continui a manifestare questi sintomi, consulta un medico.

Interferenza con dispositivi medici

Il visore può emettere onde radio che possono influire sul funzionamento dei dispositivi elettronici vicini, inclusi pacemaker cardiaci, apparecchi acustici e defibrillatori. Se utilizzi un pacemaker o un altro dispositivo medico impiantato, non utilizzare il visore senza aver prima consultato un medico o il produttore del dispositivo medico. Mantieni una distanza di sicurezza tra il visore e i dispositivi medici, e interrompi l'utilizzo del visore se ti accorgi di un'interferenza con il dispositivo medico.

Perdita dell'udito

L'eccessiva esposizione a suoni forti può causare danni all'udito. Quando si utilizzano le cuffie con il visore, inizia con il volume a un livello basso e aumentalo lentamente se necessario. Non alzare troppo il livello del volume.

Convulsioni

Alcune persone possono manifestare forti capogiri, svenimenti, crisi epilettiche o perdita dei sensi innescati da lampi di luce, schemi o esposizione a fonti di luce infrarossa di un eye tracker, anche se non si sono mai verificati eventi del genere in passato. Se si verifica

uno di questi sintomi, interrompi subito l'uso del visore e consulta un medico. In caso di sintomi pregressi di questo tipo, consulta un medico prima di utilizzare il visore. Per ridurre la probabilità di convulsioni, non utilizzare il visore quando si è stanchi.

Nessuna protezione per gli occhi

I visori Varjo non proteggono gli occhi da urti, detriti, sostanze chimiche, luce UV, altre luci nocive, particelle, schegge o altri pericoli fisici.

Scossa elettrica

Non provare a smontare, aprire, riparare o modificare il visore o l'alimentatore, poiché ciò può causare scosse elettriche o altri pericoli e potrebbe danneggiare visore e alimentatore. Per APPARECCHIATURE COLLEGABILI, la presa di corrente deve essere installata vicino all'apparecchiatura e deve essere facilmente accessibile. Utilizza il visore solo con l'unità di alimentazione (Adapter Technology Co., Ltd. (ATS036T-W120V (Livello VI)) INPUT Universale 100 ~ 240 Vac / 50 ~ 60 Hz, 1A, OUTPUT + 12V / 0 ~ 3A e adattatore per il visore inclusi nella confezione di vendita. L'utilizzo di altre unità di alimentazione può essere pericoloso.

PRODOTTO LASER DI CLASSE 1

(Si applica solo al visore per la realtà mista Varjo XR-3)

Dispositivo danneggiato o rotto

Non utilizzare il visore se una qualsiasi parte è rotta o danneggiata, i cavi forniti sono strappati o ci sono fili esposti. Non provare a riparare in autonomia nessuna parte del visore. Le riparazioni devono essere eseguite solo da un centro di assistenza autorizzato o da Varjo.

Condizioni contagiose

Per evitare il rischio di trasferire condizioni contagiose da una persona all'altra, non condividere il visore con persone con infezioni o malattie, in particolare degli occhi, della pelle o del cuoio capelluto.

Irritazione cutanea

Smetti di usare il visore se avverti gonfiore, prurito o altre irritazioni. Se i sintomi persistono, consulta un medico.

Informazioni sulla sicurezza

Per evitare lesioni a se stessi o ad altri oppure danni al visore, leggi queste informazioni sulla sicurezza prima dell'utilizzo.

Indossare il visore

Quando indossi il visore per la prima volta, segui le istruzioni per posizionarlo correttamente sulla testa. Hai completato la regolazione del visore una volta che lo indossi comodamente e che l'immagine all'interno appare definita. Non devi avvertire dolore o pressione sulla testa e il cuscinetto dovrebbe poggiare comodamente sul tuo volto.

Quando indossi il visore, le lenti si regoleranno automaticamente in base alla distanza interpupillare. Questa impostazione è attiva come predefinita. Si consiglia di mantenerla attiva. Disattiva l'impostazione se la regolazione automatica non funziona, ad esempio a causa di occhiali o di qualsiasi condizione che comprometta la vista. Se disattivi la regolazione automatica, potresti avvertire qualche fastidio durante l'utilizzo del visore.

IT

Illuminazione

Utilizza il visore in un ambiente ben illuminato per ottenere le prestazioni massime dalle telecamere posizionate sul visore. Ricorda che le superfici riflettenti possono interferire con il tracciamento posizionale.

Cura e manutenzione

Maneggia il visore con cura e conservalo in un luogo pulito e privo di polvere.

Luce solare e sorgenti luminose esterne

Non lasciare il visore esposto alla luce diretta del sole o a una forte luce ultravioletta. L'esposizione alla luce solare diretta può danneggiare l'ottica e lo schermo. Non puntare un laser o una fonte di luce esterna attraverso le lenti.

! Danni

- Non far cadere o piegare il visore, e non farlo urtare contro altri oggetti, poiché ciò potrebbe influire sulla calibrazione delle lenti della telecamera.
- Non graffiare le lenti della telecamera.
- Solleva il visore tenendolo per il corpo principale o per la fascia per la testa.
- Non sollevare il visore tenendolo per i cuscinetti o i cavi.

- Non calpestare i cavi.

! Danni che richiedono assistenza

Affidati solo a personale qualificato per la manutenzione del visore. Contattare un centro di assistenza autorizzato se:

- Il visore è stato esposto a liquidi o è caduto.
- Il visore è stato sottoposto a urti o è danneggiato.
- Il visore si surriscalda.
- Il visore non funziona normalmente quando si seguono le istruzioni per l'uso.

Pulizia

Scollega il visore dalla fonte di alimentazione prima di pulirlo. Pulisci il corpo del visore con salviette antibatteriche non abrasive. Non utilizzare sapone, prodotti chimici aggressivi, alcol, solventi per la pulizia, detergenti liquidi o aerosol. Non usare mai acqua per pulire il visore. Pulisci delicatamente le lenti del visore e la piastra anteriore con salviette per lenti ottiche o un panno in microfibra per lenti. Non pulire le lenti con detergenti liquidi o chimici. Pulisci i cuscinetti con salviette antibatteriche non abrasive.

Temperatura del dispositivo

È normale che il visore risulti caldo al tatto durante l'uso. In particolare, le telecamere frontali e le superfici di ventilazione dell'aria possono surriscaldarsi. Il contatto prolungato della pelle con un visore caldo al tatto può causare fastidio o arrossamento cutaneo, o ustioni a bassa temperatura. Se il visore risulta caldo al tatto o è fastidiosamente caldo, interrompi l'utilizzo e attendi che si raffreddi.

Accessori

Non utilizzare il visore con accessori o software non autorizzati o incompatibili. L'utilizzo di accessori o software non autorizzati può causare problemi di prestazioni o provocare lesioni o danni. Consulta su varjo.com/support l'elenco di accessori o software compatibili.

Ambiente operativo e di conservazione

Posizionamento

Utilizza il visore solo in aree adeguatamente ventilate.

- Non coprire il visore.
- Non coprire i fori di ventilazione sopra o sotto il visore.

- Non posizionare il visore nelle vicinanze di oggetti che potrebbero graffiare le lenti.
- Non esporre il visore a fiamme libere o prodotti per fumatori accesi.
- Non posizionare il visore in prossimità di fonti di calore, aree calde o soggette a temperature estreme.
- Non utilizzare il visore in prossimità di acqua o altri liquidi.
- Non utilizzare il visore in seguito a un forte cambiamento di temperatura. Quando si sposta il visore tra ambienti con sbalzi termici e/o livelli di umidità molto diversi, potrebbe formarsi condensa sopra o all'interno del visore. Attendi il tempo sufficiente affinché l'umidità evapori prima di utilizzare il visore.

Nota: quando si sposta il visore da condizioni di bassa temperatura a un ambiente più caldo o viceversa, dai tempo al visore di adattarsi alla temperatura ambiente prima di accenderlo. Utilizzare il visore a temperature comprese tra 10°C e 27°C (50°F e 80°F). Conservare il visore nella sua confezione di vendita a temperature comprese tra 0°C e 40°C (32°F e 104°F) per ridurre al minimo i danni involontari.

Frequenze radio

| Componente | Intensità | Frequenza | Potenza di uscita di picco |
|------------|-----------|----------------|----------------------------|
| Visore | 12V, 3A | 2,402-2,48 GHz | 1 mW |

Riciclo

La Direttiva 2012/19/UE sui rifiuti di apparecchiature elettriche ed elettroniche (RAEE), entrata in vigore il 13 febbraio 2003, ha comportato un importante cambiamento nel trattamento delle apparecchiature elettriche a fine vita. Verifica le normative locali per il corretto smaltimento dei prodotti elettronici.



Il simbolo del bidone con ruote barrato sul visore, sulla batteria, sui materiali di lettura o sulla confezione ricorda di procedere alla raccolta differenziata di tutti i prodotti elettrici ed elettronici, le batterie e i materiali di imballaggio usati alla fine del loro ciclo di vita. Non smaltire questi prodotti come rifiuti urbani indifferenziati, ma ricicliarli. Per informazioni sul punto di riciclaggio più vicino, contatta l'autorità locale per i rifiuti.

CE Comunicazione dell'Unione Europea

Con la presente, Varjo dichiara che i visori HS-5 e HS-6 sono conformi alla Direttiva 2014/53/UE. Il testo completo della dichiarazione di conformità UE è disponibile al seguente indirizzo Internet: varjo.com/compliance.

Nota: questa apparecchiatura è stata testata ed è risultata conforme ai limiti del Criterio C.

Una scarica ESD diretta di +/- 500V o più sui componenti della telecamera può comportare una funzionalità ridotta. Potrebbe essere necessario riavviare il sistema della telecamera per ripristinare la piena funzionalità.

FC Informazioni di FCC e ISED per l'utente

Nota: questa apparecchiatura è stata testata ed è risultata conforme ai limiti per un dispositivo digitale di Classe A, ai sensi della parte 15 delle norme FCC. Questi limiti sono progettati per fornire una protezione ragionevole contro interferenze dannose quando l'apparecchiatura viene utilizzata in ambito commerciale. Questa apparecchiatura genera, utilizza e può irradiare energia in radiofrequenza e, se non installata e utilizzata secondo il manuale di istruzioni, può causare interferenze dannose alle comunicazioni radio. È probabile che il funzionamento di questa apparecchiatura in un'area residenziale provochi interferenze dannose, nel qual caso l'utente dovrà correggere l'interferenza a proprie spese.

Questo dispositivo digitale di Classe A è conforme alla norma canadese ICES-003.



Proposition 65 della California

ATTENZIONE: Cancro - www.P65Warnings.ca.gov.

Dichiarazione di FCC e ISED sulla conformità

Questo dispositivo è conforme alla parte 15 delle norme FCC e alla specifica RSS-247 di Innovation, Science and Economic Development Canada (ISED). Il funzionamento è soggetto alle seguenti due condizioni:

- (1) questo dispositivo non può causare interferenze e
- (2) questo dispositivo deve accettare qualsiasi interferenza, comprese le interferenze che potrebbero comprometterne il funzionamento.

Cambiamenti o modifiche non espressamente approvati dalla parte responsabile della conformità potrebbero invalidare il diritto dell'utente a utilizzare questa apparecchiatura.

Dichiarazione di FCC e ISED sull'esposizione alle radiazioni

Questa apparecchiatura è conforme ai limiti di esposizione alle radiazioni stabiliti negli Stati Uniti e in Canada per un ambiente non controllato. Questo trasmettitore non deve essere collocato o funzionare insieme ad altre antenne o trasmettitori.

Conformità RoHS

Questa apparecchiatura è conforme alla Direttiva 2011/65/UE del Parlamento Europeo e del Consiglio, dell'8 giugno 2011, sulla restrizione dell'uso di determinate sostanze pericolose nelle apparecchiature elettriche ed elettroniche (RoHS) e suoi emendamenti.

Garanzia commerciale limitata di Varjo

IL PRODOTTO VARJO È DESTINATO ALL'USO COMMERCIALE E NON È DESTINATO ALLA VENDITA AI CONSUMATORI. QUESTA GARANZIA COMMERCIALE LIMITATA CONFERISCE DIRITTI LEGALI SPECIFICI E PUOI ANCHE AVERE ALTRI DIRITTI LEGALI CHE VARIANO DA STATO A STATO E DA PAESE A PAESE.

1. Definizioni

Le seguenti definizioni si applicano alla presente garanzia limitata:

- "Prodotto Varjo" indica il visore Varjo e qualsiasi accessorio fornito nella confezione al momento dell'acquisto originale da un rivenditore autorizzato o da Varjo ("rivenditore autorizzato").
- "Tu" e "tuo" si riferiscono all'utente commerciale originale che ha acquistato il prodotto Varjo da un rivenditore autorizzato.
- Il "periodo di garanzia" è di dodici (12) mesi dalla data di acquisto del prodotto Varjo da un rivenditore autorizzato.
- "Condizioni di utilizzo normale" indica un normale utilizzo commerciale in conformità con il manuale d'uso.
- "Manuale d'uso" indica tutte le istruzioni per l'uso, le linee guida sulla sicurezza e altra documentazione fornita nella confezione o pubblicata online da Varjo.

2. Copertura

Varjo garantisce, esclusivamente a te, che durante il periodo di garanzia il prodotto Varjo funzionerà in conformità con le specifiche tecniche di Varjo in condizioni di utilizzo normale. La presente garanzia limitata non copre alcun software o altri prodotti richiesti per utilizzare il prodotto Varjo che non sono nella confezione al momento dell'acquisto originale del prodotto Varjo. Tali prodotti sono soggetti al loro uso o ad altri termini, anche se intesi o etichettati per essere utilizzati insieme al prodotto Varjo.

La presente garanzia limitata è valida e applicabile solo se hai acquistato il nuovo prodotto Varjo da un rivenditore autorizzato e il prodotto Varjo ti è stato venduto nella sua confezione originale sigillata. Non è possibile assegnare o trasferire la presente garanzia limitata a terzi, a meno che tale limitazione non sia vietata dalle attuali norme di legge.

Se restituisci il prodotto Varjo durante il periodo di garanzia e soddisfa i termini della presente garanzia limitata, Varjo o il suo partner per l'assistenza, a sua esclusiva discrezione, lo ripareranno o sostituiranno.

La riparazione o la sostituzione possono comportare l'uso di un prodotto Varjo ricondizionato funzionalmente equivalente e/o di parti ricondizionate, a meno che non sia proibito dalla legge. Quando si sostituisce il prodotto Varjo, Varjo può sostituirlo con lo stesso modello o, se non disponibile, con il modello più vicino al modello originale. Varjo o il suo partner di assistenza restituirà a proprie spese il prodotto Varjo riparato o sostitutivo. Qualsiasi prodotto Varjo inviato a Varjo e sostituito da Varjo diventa proprietà di Varjo.

Se Varjo ripara o sostituisce il prodotto Varjo, il prodotto Varjo riparato o sostituito continuerà a essere garantito per il tempo rimanente del Periodo di garanzia originale o per tre (3) mesi dalla data di riparazione o sostituzione, a seconda di quale sia il periodo più lungo.

La riparazione o la sostituzione del prodotto Varjo è la tua unica ed esclusiva soluzione e l'unico obbligo di Varjo per qualsiasi reclamo o qualsiasi perdita derivante dal guasto del prodotto Varjo. Se determiniamo, a nostra esclusiva discrezione, che nessuna delle soluzioni elencate è ragionevole per riparare il difetto o il malfunzionamento, potremmo rimborsarti il prezzo pagato per acquistare il prodotto.

La presente garanzia limitata è la garanzia finale, completa ed esclusiva offerta da Varjo in merito al prodotto Varjo, e nessun'altra persona o entità (incluso il rivenditore autorizzato) è autorizzata a fornire altre garanzie o dichiarazioni per conto di Varjo. AD ECCEZIONE DELLE GARANZIE LIMITATE ESPRESSE FORNITE IN QUESTA GARANZIA LIMITATA, VARJO NON RICONOSCE NESSUNA ALTRA GARANZIA E DICHIARAZIONI ESPLICITE E IMPLICITE DI QUALSIASI TIPO, INCLUSA QUALSIASI GARANZIA IMPLICITA DI COMMERCIALIZZABILITÀ E IDONEITÀ PER UNO SCOPO PARTICOLARE. SALVO DIVERSAMENTE PREVISTO NELLA PRESENTE GARANZIA LIMITATA, TUTTI I PRODOTTI VARJO SONO FORNITI "COSÌ COME SONO" E "CON TUTTI I DIFETTI". Se e nella misura in cui una garanzia implicita non può essere rifiutata, la sua durata è limitata al periodo di garanzia. Se la normativa in vigore applicabile non consente limitazioni sulla durata di una garanzia implicita, questa limitazione potrebbe non essere applicabile.

Nel caso in cui tu non sia l'acquirente originale del prodotto Varjo, la presente garanzia limitata non si applica a te. Se il periodo di garanzia è scaduto, se il prodotto Varjo non soddisfa le condizioni della presente garanzia limitata o se non si presenta la richiesta di garanzia in conformità con la sezione 5, la presente garanzia limitata

non si applica. Nel caso in cui la presente garanzia limitata non si applichi, Varjo potrebbe offrirti servizi fuori garanzia a pagamento e potresti essere responsabile per qualsiasi spesa relativa alla riparazione o alla sostituzione del tuo prodotto Varjo.

3. Come è possibile ricevere assistenza?

In caso di problemi con il prodotto Varjo, visita il sito varjo.com/support per ottenere assistenza, informazioni di contatto e inviare un modulo di richiesta per ottenere il servizio di garanzia. Se è necessario inviare il tuo prodotto Varjo in assistenza, ti forniremo le istruzioni su come farlo. Potrebbe esserti richiesto di pagare il costo di spedizione del prodotto Varjo. Quando riceveremo il prodotto Varjo, determineremo se c'è un difetto o un malfunzionamento coperto dalla presente garanzia limitata. Se troviamo un difetto o un malfunzionamento coperto dalla presente garanzia limitata, ripareremo o sostituiremo il prodotto Varjo per fornirti un prodotto Varjo sostanzialmente conforme alle specifiche tecniche di Varjo in condizioni di utilizzo normale e invieremo il prodotto Varjo riparato o un prodotto Varjo sostitutivo, se presente, a nostre spese. Potremmo non restituirti il prodotto Varjo originale. Se ci invii un prodotto Varjo senza una prova d'acquisto valida, ti restituiremo il prodotto Varjo a tue spese, soggetto a pagamento anticipato, oppure, se tali costi non sono prepagati, manterremo il prodotto Varjo per trenta (30) giorni in attesa del tuo ritiro prima di smaltirlo.

4. Cosa non rientra nella copertura?

Questa garanzia limitata non copre, e Varjo non è responsabile per, (i) prodotti Varjo usati o rivenduti; (ii) prodotti Varjo non acquistati da rivenditori autorizzati; o (iii) qualsiasi software (incluso ma non limitato a qualsiasi software sul prodotto Varjo e qualsiasi software per PC fornito da Varjo).

Inoltre, questa garanzia limitata non copre, e Varjo non è responsabile per, danni al prodotto Varjo o perdita del prodotto Varjo o risultanti da (i) un incidente (per esempio impatto fisico accidentale, esposizione a liquidi, cibo o altri contaminanti, ecc.) o furto; (ii) uso non conforme alle normali condizioni di utilizzo o qualsiasi altro uso improprio (inclusi, ma non limitati a, negligenza, abuso o alterazione); (iii) utilizzo con un prodotto non idoneo non venduto o concesso in licenza da Varjo; (iv) utilizzo con ventilazione inadeguata; (v) utilizzo da parte di bambini; (vi) elusione dei nostri meccanismi di sicurezza; (vii) reverse engineering; (viii) difetti o danni da virus o altri problemi software introdotti nel prodotto Varjo; (ix) utilizzo del prodotto Varjo in violazione di qualsiasi legge, regolamento o ordinanza in vigore in cui viene utilizzato il prodotto Varjo; (x) difetti o danni causati da riparazioni non autorizzate; (xi) cause di forza maggiore, inclusi ma non limitati a fulmini, inondazioni, tornado, terremoti o uragani; e/o (xii) danni estetici (per es. graffi).

Inoltre, questa garanzia limitata non copre, e Varjo non è responsabile per, danni al prodotto Varjo o perdita del prodotto Varjo risultante dalla normale usura e dal normale esaurimento delle parti consumabili.

Infine, la presente garanzia limitata non include alcuna garanzia specifica che il prodotto Varjo sarà privo di errori o riguardo il tempo di attività o la disponibilità continua, le funzionalità di sicurezza dei dati del software o degli account online, o che qualsiasi software, firmware o sito online funzionerà ininterrottamente senza errori. La presente garanzia limitata è nulla se il prodotto Varjo viene restituito con etichette rimosse, danneggiate o manomesse o con qualsiasi alterazione (inclusa la rimozione non autorizzata di qualsiasi componente o copertura esterna). [La presente garanzia limitata non copre la perdita di dati; è tua responsabilità eseguire con regolarità il backup dei tuoi dati, elettronicamente o fisicamente, se desideri conservarli. Eventuali danni o costi relativi al ripristino, alla rimozione e all'installazione dei dati non sono recuperabili ai sensi della presente garanzia limitata.]

5. Limitazione di responsabilità

NELLA MISURA MASSIMA CONSENTITA DALLA LEGGE VIGENTE, NÉ VARJO NÉ I SUOI FORNITORI SARANNO RESPONSABILI PER QUALSIASI DANNO INDIRETTO, ACCIDENTALE, CONSEGUENZIALE, PUNITIVO O SPECIALE, COMPRESI MA NON SOLO PERDITE DI PROFITTI O PERDITE COMMERCIALI, INTERRUZIONI COMMERCIALI, PERDITE DI INFORMAZIONI DI DATI, PERDITA DI PRIVACY, PERDITA DI RISERVATEZZA, COSTO DI QUALSIASI MERCE DI SOSTITUZIONE O APPARECCHIATURA SOSTITUTIVA O PERDITA DI UTILIZZO MENTRE IL PRODOTTO VARJO È SOSTITUITO O RIPARATO. NELLA MISURA MASSIMA CONSENTITA DALLA LEGGE VIGENTE, L'INTERA RESPONSABILITÀ DI VARJO E DEI SUOI FORNITORI AI SENSI DELLA PRESENTE GARANZIA LIMITATA SARÀ LIMITATA ALL'IMPORTO EFFETTIVAMENTE PAGATO DALL'UTENTE PER IL PRODOTTO VARJO. QUESTE CLAUSOLE DI ESCLUSIONE SI APPLICANO ANCHE SE UNA RIPARAZIONE NON RISPETTA IL SUO SCOPO ESSENZIALE O VARJO SIA STATA AVVISATA DELLA POSSIBILITÀ DI QUESTI DANNI, PER QUALSIASI RIVENDICAZIONE DERIVANTE O COLLEGATA A QUESTA GARANZIA LIMITATA, INDIPENDENTEMENTE DALLA FORMA DELL'AZIONE, SE NEL CONTRATTO, TORTO (INCLUSA NEGLIGENZA), RESPONSABILITÀ RIGOROSA DA PRODOTTO O QUALSIASI ALTRA CAUSA DI AZIONE O TEORIA GIURIDICA O EQUITÀ. Alcuni stati e paesi non consentono l'esclusione o la limitazione di danni incidentali o consequenziali, pertanto le limitazioni o le esclusioni nella presente garanzia limitata potrebbero non essere applicabili.

Nessun dipendente o rappresentante di Varjo, le sue affiliate o terze parti è autorizzato ad apportare modifiche, estensioni o aggiunte alla garanzia aziendale limitata o qualsiasi parte dei presenti termini.

IT

6. Disposizioni generali

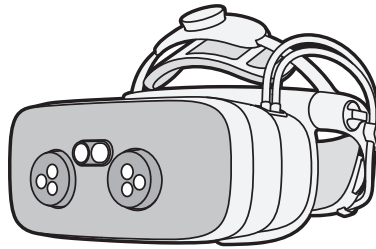
6.1 La presente garanzia limitata è soggetta alla legge finlandese, esclusa la scelta delle disposizioni di legge. Non si applica la Convenzione delle Nazioni Unite sui contratti di vendita internazionale di merci. Qualsiasi causa, controversia o reclamo derivante dalla presente garanzia limitata sarà definitivamente risolta mediante arbitrato in conformità con le regole di arbitrato della Camera di commercio finlandese. La sede dell'arbitrato sarà Helsinki. La lingua dell'arbitrato sarà l'inglese.

6.2 Se una qualsiasi disposizione della presente garanzia limitata è ritenuta illegale, non valida o inapplicabile secondo le leggi di qualsiasi giurisdizione, ciò non influirà sulla legalità, validità o applicabilità di qualsiasi altra disposizione della garanzia limitata.

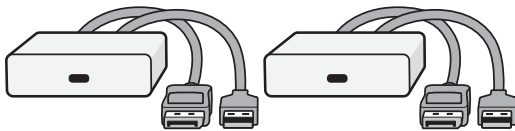
Pakkauksen sisältö

XR-3

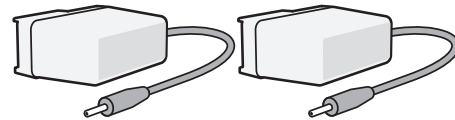
Tehostetun todellisuuden virtuaalilasit



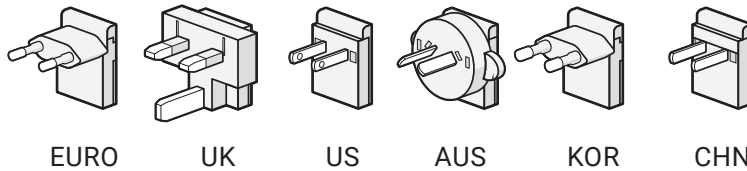
2 virtuaalilasin sovitinta



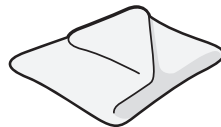
2 virtalähdettä



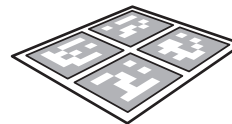
6 virtapistoketta, 2 kutakin tyyppiä



Puhdistusliina

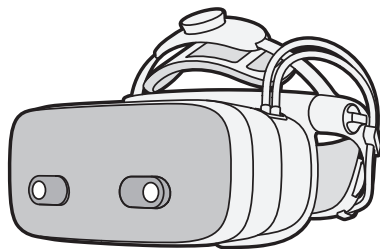


Varjo-viitemarkkeri

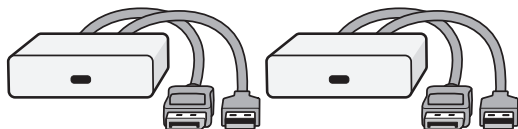


VR-3

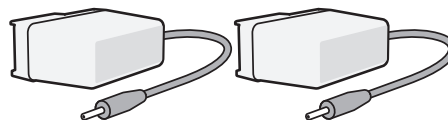
Virtuaalilasit



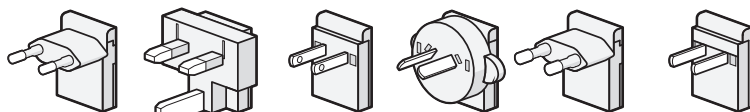
2 virtuaalilasien sovitinta



2 virtalähdettä



6 virtapistoketta, 2 kutakin tyyppiä



EURO

UK

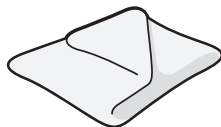
US

AUS

KOR

CHN

Puhdistusliina

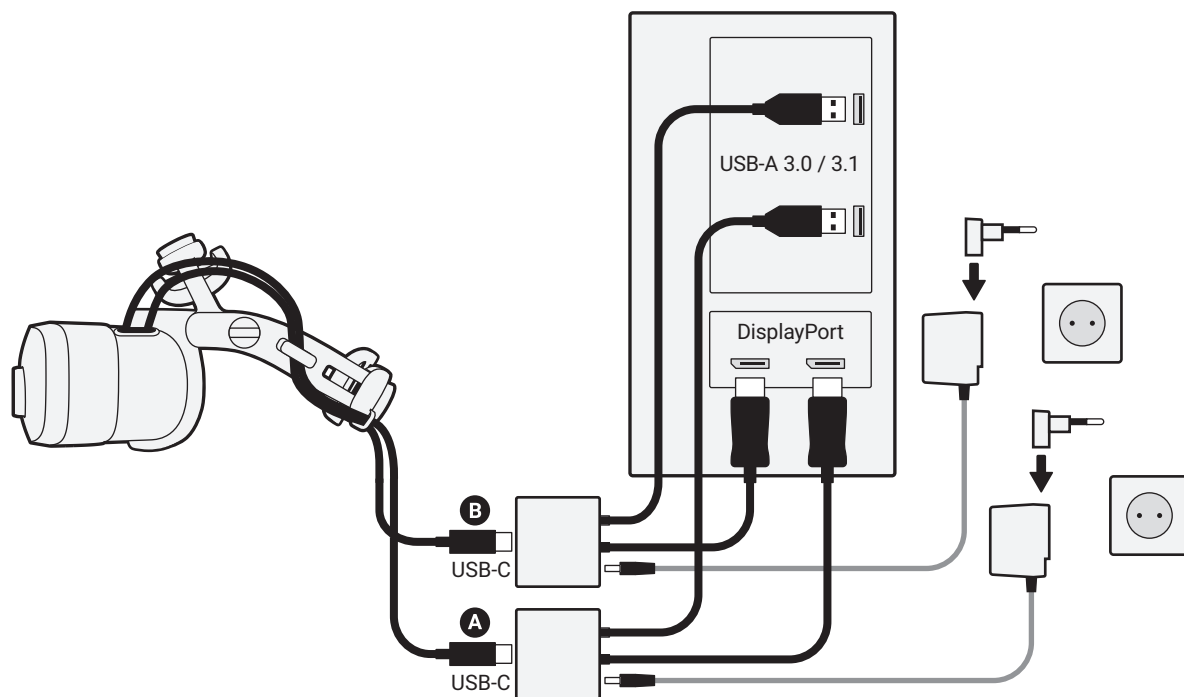


Virtuaalilasien kytkeminen

Varjo-virtuaalilasit ovat yhteensopivia Windows-tietokoneiden kanssa.

1. **A** ja **B**: Kytke virtuaalilasien molemmat kaapelit virtuaalilasien sovittimeen.
2. Virtuaalilasien sovittimet: Kytke sovittimet näyttöohjaimen DisplayPort-porttiin ja emolevyn USB-A 3.0 / 3.1 -porttiin.

Yksityiskohtaiset järjestelmävaatimukset ovat osoitteessa varjo.com/start/system.



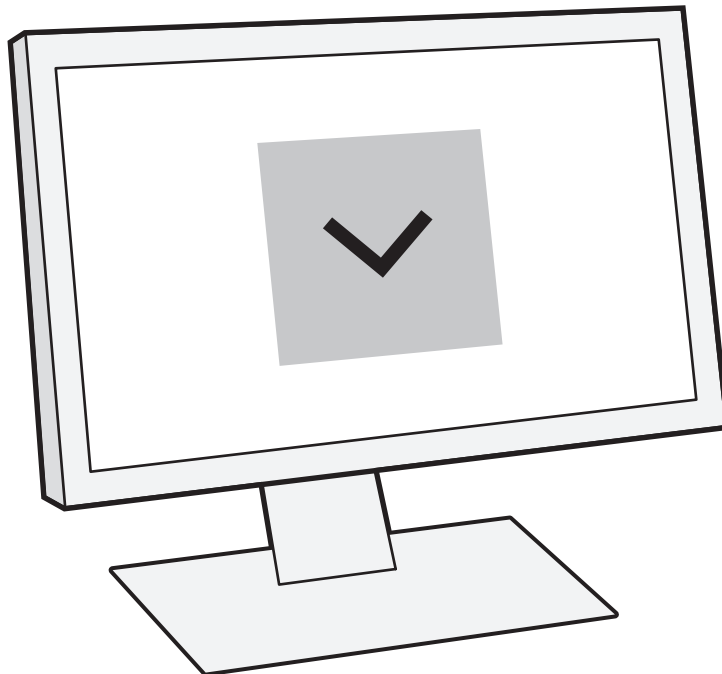
Lataa Varjo Base

Varjo Base on ohjelmisto, jonka avulla virtuaalilaseja käytetään Windows-tietokoneessa. Aloita lataamalla Varjo Base.

1. Avaa **varjo.com/start**.
2. Luo Varjo-tili.
3. Lataa ja käynnistä Varjo Base.
4. Seuraa asennusohjeita.

Virtuaalilasiens käyttöön tarvitaan voimassa oleva tilaus.

Lisätietoja on osoitteessa **varjo.com/subscriptions**.



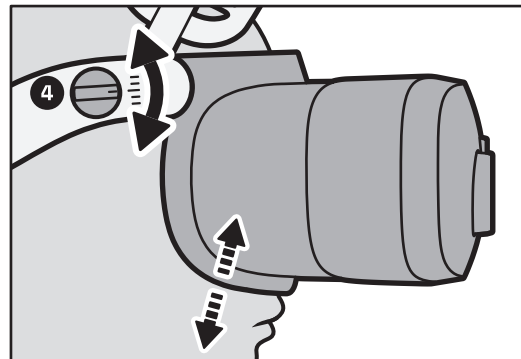
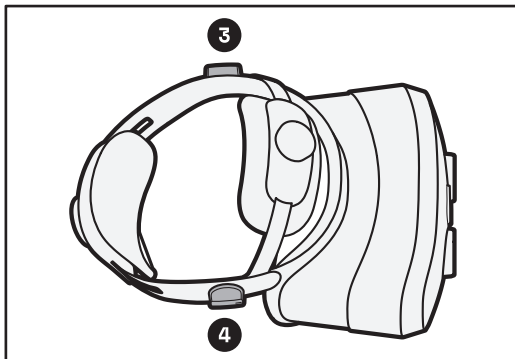
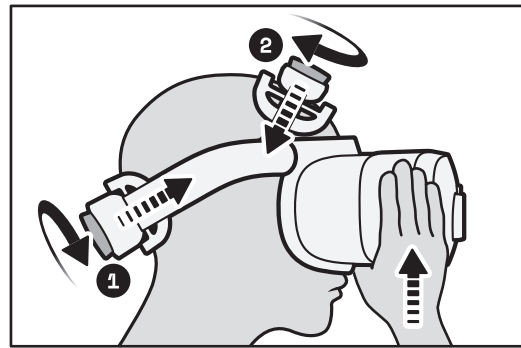
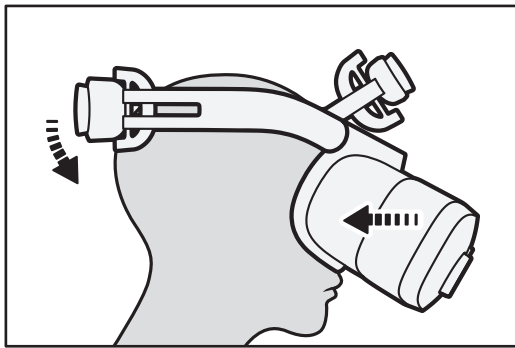
Virtuaalilasien pukeminen

Aseta virtuaalilasit kasvoille pitämällä niitä kasvojasi vasten ja vetämällä niiden hihna pään yli takaraivolle. Virtuaalilasien kanssa voi käyttää useampia yksitehosilmälaseja.

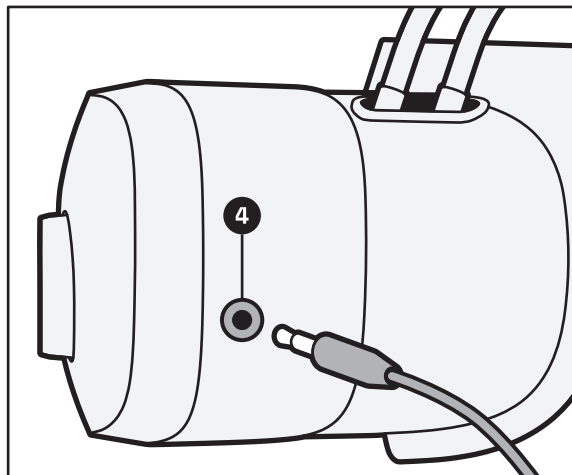
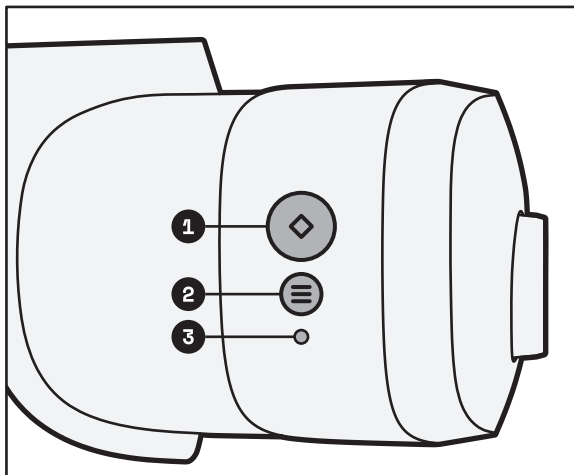
Säädä virtuaalilasien istuvuus mukavaksi seuraavasti:

- 1: Kiristä tai löysää hihna takasäätöpyörää kääntämällä.
- 2: Nosta tai laske virtuaalilasien asentoa kasvoillasi etusäätöpyörää kääntämällä.
Tue virtuaalilaseja toisella kädellä säätämisen aikana.
- 3 ja 4: Sivusäätönupeilla voit säätää virtuaalilasien istuvuutta.

Virtuaalilasien säädöt ovat sopivat, kun ne istuvat mukavasti ja niiden näyttämä kuva on terävä.



Virtuaalilasien käyttö



FI

- 1 Toimintopainike: sovellusten käyttöä varten
- 2 Valikkopainike: avaa valikon
- 3 LED-tilavalvo
- 4 Kuulokeliitin

| LED-valon väri ja toiminta | Virtuaalilasien tila |
|----------------------------|-----------------------------|
| Valkoinen (vilkkuu) | Käynnistymässä |
| Vihreä (palaa) | Normaali toiminta |
| Vihreä (sykkii) | Valmiustila |
| Vihreä (vilkkuu) | Sammumassa |
| Oranssi (palaa) | Varjo Base ei ole käynnissä |

Virtuaalilasien puhdistaminen

Puhdista virtuaalilasit säännöllisesti etenkin, jos käytät niitä yhdessä muiden henkilöiden kanssa.

Virtuaalilasien linssit: Pyyhi varovasti linseille tarkoitetulla puhdistusliinalla tai mikrokuituliinalla.

Virtuaalilasien runko, pehmusteet, nenän alue ja linssien ympäristö: Puhdista hankaamattomalla antibakteerisella liinalla.

Lisäpehmusteita on saatavana Varjo Storesta.

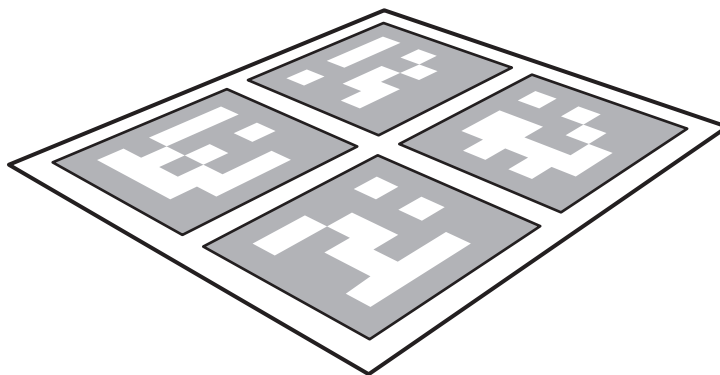


Varjo-viitemarkkerin käyttäminen

Varjo-viitemarkkeri parantaa Varjon sisältä ulospäin -liikeseurannan tarkkuutta.

Varjon sisältä ulospäin -liikeseuranta on käytettävissä tehostetun todellisuuden Varjo XR-3 -virtuaalilaseilla.

Lisätietoja on osoitteessa varjo.com/start/get-to-know-your-headset.



Tuotetiedot ja turvallisuus

Käyttötarkoitus

Virtuaalilasit on tarkoitettu sisäkäyttöön ja vain aikuisille. Virtuaalilasiens käyttöä vastainen käyttö voi johtaa niiden toimintahäiriöön.

Käyttö riskialttiissa ympäristöissä

Varjon ohjelmistoa ja tuotteita ei ole suunniteltu, valmistettu tai sertifioitu käytettäväksi minkään sellaisen laitteiston tai järjestelmän ohjaamiseen esimerkiksi ilmailualalla, teollisuudessa, kaupallisessa tai sotilaallisessa käytössä tai lääketieteellisissä käytössä tai järjestelmissä, jossa ohjelmiston tai tuotteen toimintahäiriö voi todennäköisesti johtaa henkilön tai eläimen kuolemaan tai vakavaan loukkaantumiseen tai merkittäviin fyysisiin vahinkoihin tai ympäristövahinkoihin ("käyttö riskialttiissa ympäristöissä"). VARJO KEHOTTAA EHDOTTOMASTI VÄLTTÄMÄÄN OHJELMISTON TAI TUOTTEIDEN KÄYTTÖÄ MISSÄÄN RISKIALTTIISSA YMPÄRISTÖISSÄ. Jos kuitenkin päätät käyttää ohjelmistoa tai tuotteita riskialttiissa ympäristössä, se tapahtuu omalla riskilläsi, vastaat itse kaikista siihen liittyvistä vastuista ja sitoudut kaikkiin kohtuullisiin käytettävissä oleviin keinoihin minimoimaan ohjelmiston tai tuotteiden riskialttiissa ympäristössä käytöstä johtuvat riskit ja vahinkomahdollisuudet.

Tuotteen tyyppitarra

Virtuaalilasiens mallinimi ja sarjanumero ovat virtuaalilasiens takatukeen kiinnitettyssä tyyppitarraassa.

Terveyttä ja turvallisuutta koskevat varoitukset

Varmista, että kaikki virtuaalilasiens käyttäjät lukevat seuraavat varoitukset ennen niiden käyttämistä. Tämä pienentää henkilövahinkojen, epämuokavan käyttökokemuksen ja omaisuusvahinkojen riskiä.

Ennen virtuaalilasiens käyttöä

Miellyttävä tehostetun todellisuuden tai virtuaalitodellisuuden käyttökokemus edellyttää, että käyttäjän liikkeen tunnistuskyky ja tasapaino ovat normaalit. Älä käytä virtuaalilaseja, jos olet sairas, väsynyt, uninen, alkoholin tai huumeiden vaikutuksen

alaisena, krapulassa, stressaantunut, ahdistunut, vilustunut tai flunssainen, kärsit ruoansulatusongelmista, migreenistä tai päänsärystä tai olosi ei yleisesti ole hyvä, sillä virtuaalilasiens käyttö voi vahvistaa näihin tiloihin liittyviä oireita. Keskustele lääkäriin kanssa ennen virtuaalilasiens käyttämistä, mikäli kärsit näkö- tai liikekykyäsi heikentävistä vaivoista, olet raskaana tai iäkäs, sinulla on sydänsairaus tai muu vakava sairaus tai kärsit kouristuskohtauksista, migreenistä tai mielenterveysongelmista.

Turvallinen ympäristö

Varjon virtuaalilasit tuottavat mukaansa tempaavan tehostetun todellisuuden tai virtuaalitodellisuuden kokemuksen, joka saattaa hämmentää käyttäjää ja vaikeuttaa oikean ympäristön hahmottamista.

- Pidä aina mielessä, että näkemäsi virtuaaliesineet eivät ole oikeasti olemassa ja että niiden koko ja sijainti eivät vastaa todellisuutta. Älä yritä istua tai seisoa virtuaaliesineiden päällä tai ottaa niistä tukea. Huomioi, että virtuaaliesineiden takana voi olla oikeita fyysisiä esineitä.
- Älä koskaan käytä virtuaalilaseja tilanteissa, joissa on tärkeää säilyttää huomiokyky, kuten kävellessä, pyöräillessä tai autoa ajaessa. Älä käytä virtuaalilaseja liikkuvassa ajoneuvossa.
- Pidä mielessä, että virtuaalilaseja käyttäessäsi et välttämättä huomaa paikalle tulevia ihmisiä.
- Ennen virtuaalilasiens käyttöä poista käyttöalueelta kaikki esteet, vaarat ja muut esineet, jotka saattavat haitata vapaata liikkumista. Varmista myös, että sinulla on virtuaalilasiens käytön aikana tarpeeksi tilaa ympärilläsi käsiens ojentamiseen.
- Älä käytä virtuaalilaseja tilassa, jossa katto on matalalla, tai seinien, portaiden, parvekkeiden, ikkunoiden, avointen ovien, kattotuulettimien, valaisimien, rikkoutuvien esineiden, avotulen, lämmönlähteiden tai muiden sellaisten esineiden lähellä, joihin saatat törmätä tai jotka voit kaataa.
- Pidä mielessä kaapeleiden ja virtajohtojen sijainti, jotta et tallo niitä, kompastu niihin tai vedä niitä vahingossa virtuaalilasiens käytön aikana. Älä nyi, solmi tai taita kaapeleita tai johtoja.
- Älä käsittele teräviä tai muutoin vaarallisia esineitä virtuaalilasiens käytön aikana.

Epämukavuuden vaara

Osalla ihmisistä voi esiintyä virtuaalilasiens käytön yhteydessä silmien kuivumista tai rasittumista, silmien tai lihasten nykimistä, tahattomia liikkeitä, näön muutoksia, näön sumentumista, kaksoiskuvia tai muita näköön liittyviä oireita, huimausta, pyöritystä, sekavuutta, epämukavuuden tuntua tai kipua päässä tai silmissä, päänsärkyä, tasapainon heikentymistä, silmä-käsikoordinaation heikentymistä, hikoilua, syljenerityksen lisääntymistä, pahoinvointia, väsymystä,

huomiokyvyn heikentymistä tai kouristuskohtauksia ja muita liikesairauden oireita.

Kun aloitat virtuaalilasien käytön, käytä niitä aluksi lyhyen aikaa ja pidä säännöllisesti taukoja. Jos tunnet olosi epämukavaksi, lopeta virtuaalilasien käyttö ja jatka vasta oireiden lakattua. Älä aja, käytä koneita tai tee mitään muita hyvää näkökykyä tai fyysistä kuntoa edellyttäviä toimia ennen kuin olet palautunut mahdollisista oireista. Ota tarvittaessa yhteyttä lääkäriin, jos et näe virtuaaliesineitä selkeinä ja oireettomasti.

Ylikäyttö

Pidä säännöllisesti taukoja virtuaalilasien käytön aikana. Pitkäkestoinen käyttö saattaa heikentää käsi-silmäkoordinaatiota tai tasapainoa ja aiheuttaa muita haittavaikutuksia.

Rasitusvammat

Käytä virtuaalilaseja mukavassa asennossa. Älä käytä liiallista voimaa, kun käsittelet virtuaalilaseja ja painat niiden painikkeita. Jos havaitset pistelyä, tunnottomuutta, polttelua, jäykkyyttä, tykytystä tai muita epämukavuuksia, lopeta virtuaalilasien käyttö ja lepää, kunnes olet toipunut oireista. Jos oireet ovat toistuvia, ota yhteyttä lääkäriin.

Lääkinnällisten laitteiden häiriöt

Virtuaalilasit voivat lähettää radioaaltoja, jotka saattavat vaikuttaa lähellä oleviin elektroniisiin laitteisiin, kuten sydämentahdistimiin, kuulolaitteisiin ja defibrillaattoreihin. Jos sinulla on sydämentahdistin tai muu lääkinällinen laiteimplantti, kysy ohjeita lääkäriiltä tai lääkinällisen laitteesi valmistajalta ennen virtuaalilasien käyttämistä. Pidä virtuaalilasit ja lääkinälliset laitteesi turvallisen etäisyyden päässä toisistaan ja lopeta virtuaalilasien käyttö, jos havaitset niiden aiheuttavan häiriötä lääkinälliseen laitteeseesi.

Kuulon menetys

Altistuminen liian koville äänille voi aiheuttaa kuulovaurioita. Kun käytät virtuaalilaseja kuulokkeiden kanssa, aloita käyttö pienellä äänenvoimakkuustasolla ja nosta äänenvoimakkuutta vähän kerrallaan. Älä nosta äänenvoimakkuutta liian suureksi.

Kouristuskohtaukset

Vilkkuvat valot ja kuviot tai silmänseurantalaitteen infrapunavalot voivat aiheuttaa osalla ihmisistä vahvaa huimausta, pyörtymiskohtauksen, epileptisen kohtauksen tai tajunnan

menetyksen, vaikka heillä ei olisi esiintynyt näitä oireita koskaan aiemmin. Jos sinulla esiintyy jotakin näistä oireista, lopeta virtuaalilasien käyttö ja ota yhteys lääkäriin. Jos sinulla on esiintynyt näitä oireita aiemmin, ota yhteys lääkäriin ennen virtuaalilasien käyttämistä. Virtuaalilasien käytöstä pidättäytyminen väsyneenä pienentää kohtausten todennäköisyyttä.

Ei silmiä suojaavia ominaisuuksia

Varjo-virtuaalilasit eivät suojaa silmiä iskuilta, rosakilta, kemikaaleilta, UV-valoilta tai muilta haitallisilta valoilta, hiukkasilta, projektiileilta tai fyysisiltä vaaroilta.

Sähköiskun vaara

Älä yritä purkaa, avata, huoltaa tai muokata virtuaalilaseja tai niiden virtalähdettä, sillä se voi johtaa sähköiskuun ja muihin vaaroihin ja saattaa vahingoittaa virtuaalilaseja tai virtalähdettä. Pistorasiaan kytkettävä laite on kytkettävä laitteen lähellä olevaan pistorasiaan, joka on helposti tavoitettavissa. Käytä virtuaalilaseja vain niiden myyntipakkauksessa toimitetulla virtalähteellä (Adapter Technology Co., Ltd:n ATS036T-W120V (Level VI), syöttövirta: 100 ~ 240 V AC / 50 ~ 60 Hz, 1 A, lähtöteho: +12 V / 0~3 A) ja virtuaalilasien sovitimella. Muiden virtalähteiden käyttö saattaa aiheuttaa vaaratilanteita.

LUOKAN 1 LASERTUOTE

(Koskee vain tehostetun todellisuuden Varjo XR-3 -virtuaalilaseja)

Vahingoittunut tai rikkoutunut laite

Älä käytä virtuaalilaseja, jos jokin niiden osa on rikkoutunut tai vaurioitunut, mukana toimitetut kaapelit ovat rikkoutuneet tai jokin johto on paljastunut. Älä yritä korjata mitään virtuaalilasien osaa itse. Korjaukset on teetettävä Varjolla tai valtuutetussa Varjo-huollossa.

Tartuntatautien ehkäisy

Tartuntatautien leviämisen ehkäisemiseksi virtuaalilaseja ei tule käyttää yhdessä tartuntataudeista tai sairauksista kärsivien henkilöiden kanssa. Yhteiskäyttöä tulee välttää erityisesti, mikäli kyseessä on silmien, ihon tai päänahan sairaus.

Ihoärsytys

Lopeta virtuaalilasien käyttö, mikäli havaitset turpoamista, kutinaa tai muita ärsytysoireita. Jos oireet jatkuvat, ota yhteyttä lääkäriin.

Turvallisuustiedot

Lue nämä turvallisuustiedot ennen virtuaalilasiens käyttöä, jotta osaat ehkäistä itsellesi ja sivulliselle aiheutuvien vammojen riskiä ja estää virtuaalilasiens vaurioitumisen.

Virtuaalilasiens käyttö

Kun käytät virtuaalilaseja ensimmäistä kertaa, sijoita virtuaalilasit kasvoillesi ohjeiden mukaisesti. Virtuaalilasiens säädöt ovat sopivat, kun ne istuvat mukavasti ja niiden näyttämä kuva on terävä. Päässäsi ei saa tuntua kipua tai painetta ja pehmusteen tulisi tuntua mukavalta kasvoja vasten.

Kun asetat virtuaalilasit kasvoillesi, virtuaalilasiens linssit säädetään automaattisesti pupilliesi välisen etäisyyden mukaiseksi. Tämä automaattisens säädön asetus on oletusarvoisest i käytössä. Suosittelemme pitämään asetuksens käytössä. Poista asetus käytöstä, mikäli automaattisens säätö ei sovi sinulle esimerkiksi silmälasiesn tai jonkin näkökykyä haittaavans seikan vuoksi. Jos poistat automaattisens säädön käytöstä, virtuaalilasiens käyttö saattaa tuntua epämukavalta.

Valaistus

Käytä virtuaalilaseja hyvin valaistussa ympäristössä, jotta virtuaalilasiens kamerat toimivat mahdollisimman tehokkaasti. Huomaa, että heijastavans pinnat saattaa häiritä liikeseurannans toimintaa.

Hoito ja ylläpito

Käsittele virtuaalilaseja varoen ja säilytä ne puhtaassa ja pölyttömässä paikassa.

Auringonvalo ja ulkoisets valonlähteets

Älä jätä virtuaalilaseja suoraan auringonvaloon tai voimakkaaseen ultraviolettivaloon. Suora auringonvalo voi vahingoittaa optiikkaa ja näyttöä. Älä suuntaa laseria tai ulkoisets valonlähdeä suoraan linssiensihin.



Vauriot

- Älä pudota tai taivuta virtuaalilaseja tai naputa niitä muita esineitä vasten, sillä se saattaa vaikuttaa kamerans linssiens kalibrointiin.
- Älä naarmuta kamerans linssiä.
- Pidä kiinni virtuaalilasiens rungosta tai pannasta, kun nostat virtuaalilaseja.

- Älä nosta virtuaalilaseja pehmusteista tai kaapeleista kiinni pitäen.
- Älä astu kaapeleiden päälle.



Huoltoa vaativats vauriot

Huollata virtuaalilasit valtuutetussa huollossa. Ota yhteyttä valtuutettuun huoltoon seuraavissa tilanteissa:

- Virtuaalilasit ovat altistuneets nesteelle tai pudonneets
- Virtuaalilasit ovat altistuneets iskuille tai vaurioituneets muutoin.
- Virtuaalilasit ylikuumentevats.
- Virtuaalilasit eivät toimi normaalisti, kun noudatats käyttöohjeita.

Puhdistaminen

Kytke virtuaalilasit irti virtalähteestä ennen puhdistamista. Puhdistats virtuaalilasiens runko hankaamattomilla antibakteerisilla liinoilla. Älä käytä saippuaa, vahvoja kemikaaleja, alkoholia, liuottimia, nestemäisiä puhdistusaineita tai aerosoleja. Älä koskaan käytä vettä virtuaalilasiens puhdistamiseen. Puhdistats virtuaalilasiens linssit ja etulevy varovasti linseille tarkoitetuilla puhdistusliinoilla tai mikrokuituliinalla. Älä käytä mitään nesteitä tai kemikaaleja linssiens puhdistamiseen. Puhdistats pehmusteets hankaamattomilla antibakteerisilla liinoilla.

Laittesn lämpötila

On normaalia, että virtuaalilasit ovat kosketuslämpimät käytön aikana. Eteen suunnatut kamerat ja ilmanvaihtoaukkojens pinnat saattavat tuntua erityisens kuumilta. Kuumenneiden virtuaalilasiens pitkäaikaisens ihokosketus saattaa aiheuttaa ihoärsytystä, punoitusta tai alhaisens asteesn palovammoja. Jos virtuaalilasit tuntuvat kosketettaessa kuumilta tai epämukavans lämpimiltä, lopeta niiden käyttö ja annats niiden jäähtyä.

Lisävarusteets

Älä käytä virtuaalilaseja hyväksymättömien tai yhteensopimattomien lisävarusteiden tai ohjelmistojens kanssa. Hyväksymättömien lisävarusteiden tai ohjelmistojens käyttö voi aiheuttaa suorituskykyongelmia tai johtaa vammoihin tai vaurioihin. Hyväksytyjens lisävarusteiden ja ohjelmistojens luettelo on saatavans osoitteesta [varjo.com/support](https://www.varjo.com/support).

Käyttö- ja varastointiympäristö

Sijoittaminen

Käytä virtuaalilaseja vain asianmukaisesti ilmastoiduissa tiloissa.

- Älä peitä virtuaalilaseja.
- Älä peitä virtuaalilasiensa ylä- ja alaosissa olevia ilmanvaihtouukkoja.
- Älä sijoita virtuaalilaseja lähelle esineitä, jotka voivat naarmuttaa linssijä.
- Älä altista virtuaalilaseja avotulelle tai tupakointituotteille.
- Älä aseta virtuaalilaseja läheltä lämmönlähteitä, kuumia alueita tai ääriämpötiloja.
- Älä käytä virtuaalilaseja veden tai muiden nesteiden läheisyydessä.
- Älä käytä virtuaalilaseja heti suuren lämpötilanvaihtelun jälkeen. Jos virtuaalilasit siirretään ympäristöön, jonka lämpötila tai ilmankosteus poikkeaa merkittävästi aiemmasta käyttöympäristöstä, virtuaalilasiensa pinnalle tai sisälle voi kondensoitua kosteutta. Odota riittävän kauan, jotta kosteus haihtuu ennen virtuaalilasiensa käyttämistä.

Huom: Kun virtuaalilasit siirretään alhaisesta lämpötilasta lämpimään paikkaan tai päin vastoin, anna virtuaalilasiensa lämpötilan tasaantua huonelämpötilaan ennen niiden kytkemistä päälle. Käytä virtuaalilaseja vain 10–27 °C:n (50–80 °F:n) lämpötilassa. Säilytä virtuaalilasit niiden myyntipakkauksessa 0–40 °C:n (32–104 °F:n) lämpötilassa tahattoman vahingoittumisen riskin minimoimiseksi.

Radiotaajuudet

| Komponentti | Luokitus | Taajuus | Huippulähetysteho |
|----------------|-----------|----------------|-------------------|
| Virtuaalilasit | 12 V, 3 A | 2,402–2,48 GHz | 1 mW |

Kierrättäminen

13. helmikuuta 2003 voimaan tullut direktiivi 2012/19/EU sähkö- ja elektroniikkalaiteromusta (WEEE-direktiivi) muutti käytöstä poistettujen sähkölaitteiden käsittelyvaatimuksia merkittävästi. Tarkista paikalliset elektroniikkalaitteiden hävittämiseen liittyvät säädökset.



Virtuaalilaseissa, akussa, painomateriaalissa ja tuotepakkauksessa oleva ylivedetty roskakorisyömiö merkitsee, että käytöstä poistettuja sähkö- ja elektroniikkatuotteita, akkuja ja pakkausmateriaaleja ei saa hävittää vaan ne on kierrätettävä. Älä hävitä näitä tuotteita lajittelemattomana yhdyskuntajätteenä vaan toimita ne kierrätykseen. Tarkista lähimmän kierrätyspisteen tiedot paikalliselta jäteviranomaiselta.

CE EU-lauseke

Varjo vakuuttaa täten, että HS-5- ja HS-6-virtuaalilasit täyttävät direktiivin 2014/53/EU vaatimukset. Täysi EU:n vaatimustenmukaisuusvakuutus on luettavissa osoitteessa **varjo.com/compliance**.

Huom: Tämä laite on testattu ja sen on todettu toimivan suorituskykylokan C rajoissa.

Kameralaitteistoon kohdistuva suora +/- 500V:n tai suurempi sähköstaattinen purkaus voi heikentää sen toimintaa. Kamerajärjestelmä on ehkä tällöin palautettava toimintakuntoon käynnistämällä se uudelleen.

FCC:n ja ISED:n edellyttämät tiedot käyttäjälle

Huomautus: Tämä laite on testattu ja sen on todettu toimivan luokan A digitaalisille laitteille määritetyissä rajoissa FCC:n sääntöjen osan 15 mukaisesti. Nämä rajat on suunniteltu antamaan kohtuullinen suoja häiriöitä vastaan kaupallisessa ympäristössä. Tämä laite tuottaa, käyttää ja voi säteillä radiotaajuusenergiaa. Jos laitetta ei asenneta ja käytetä ohjekirjan mukaisesti, se voi aiheuttaa haitallisia häiriöitä radioviestintään. Tämän laitteen käyttö asuinalueella voi todennäköisesti aiheuttaa häiriöitä, jotka käyttäjän on korjattava omalla kustannuksellaan.

Tämä luokan A digitaalinen laite on Kanadan ICES-003-standardin vaatimusten mukainen.



Kalifornian Proposition 65 -ilmoitus

VAROITUS: Syöpäilmoitus: www.P65Warnings.ca.gov.

FCC:n ja ISED:n vaatimustenmukaisuusvakuutus

Tämä laite täyttää FCC-sääntöjen osan 15 ja Innovation, Science and Economic Development Canada säännön RSS-247 vaatimukset. Käytön edellytyksenä on seuraavat kaksi ehtoa:

1. tämä laite ei saa aiheuttaa häiriöitä ja
2. tämän laitteen on otettava vastaan kaikki häiriöt, mukaan lukien häiriöt, jotka saattavat aiheuttaa epätoivottua toimintaa.

Ilman vaatimustenmukaisuusvakuutuksen antaneen tahon erikseen antamaa lupaa tehty muutokset ja muokkaukset voivat johtaa käyttäjän laitteen käyttöoikeuden peruuttamiseen.

FCC:n ja ISED:n säteilyaltistusvakuutus

Tämä laite on valvomattomia ympäristöjä koskevien FCC:n ja Kanadan säteilyaltistuksen raja-arvojen mukainen. Tätä lähetintä ei saa käyttää samoissa tiloissa tai yhdessä muiden antennien tai lähettimien kanssa.

RoHS-vaatimustenmukaisuus

Tämä laite on 8. kesäkuuta 2011 annettujen tiettyjen vaarallisten aineiden käytön rajoittamista sähkö- ja elektroniikkalaitteissa käsittelevän Euroopan parlamentin ja neuvoston direktiivin 2011/65/EU (RoHS-direktiivi) ja sen muutosten vaatimusten mukainen.

Varjon rajoitettu yritystakuu

YRITYSKÄYTTÖÖN TARKOITETTUA VARJO-TUOTETTA EI OLE TARKOITETTU MYYTÄVÄKSI KULUTTAJILLE. TÄMÄ RAJOITETTU YRITYSTAKUU ANTAA TIETTYJÄ LAILLISIA OIKEUKSIA, JOIDEN LISÄKSI KÄYTTÄJÄLLÄ SAATTAO OLLA MUITA OSAVALTIO- JA MAAKOHTAISESTI VAIHTELEVIA LAILLISIA OIKEUKSIA.

1. Määritelmät

Tässä rajoitetussa takuussa käytettyjen termien määritelmät ovat seuraavat:

- "Varjo-tuote" tarkoittaa Varjon virtuaalilaseja ja kaikkia niiden lisävarusteita, jotka on toimitettu valtuutetulta jälleenmyyjältä tai Varjolta (jäljempänä yhteisesti "Valtuutettu jälleenmyyjä") ostetun tuotteen myyntipakkauksessa.
- "Käyttäjää" tarkoittaa alkuperäistä yrityskäyttäjää, joka on ostanut Varjo-tuotteen Valtuutetulta jälleenmyyjältä.
- "Takuu-aika" on kaksitoista (12) kuukautta päivämäärästä, jolloin Käyttäjää on ostanut Varjo-tuotteen Valtuutetulta jälleenmyyjältä.
- "Normaalit käyttöolosuhteet" tarkoittaa Käyttöoppaan mukaista normaalia yrityskäyttöä.
- "Käyttöopas" tarkoittaa kaikkia Varjon tuotepakkauksessa toimittamia ja verkossa julkaisemia ohjeita, turvallisuusohjeita ja muuta asiakirja-aineistoa.

2. Takuun kattavuus

Varjo takaa yksinomaan Käyttäjälle, että Varjo-tuote toimii Takuuajana olennaisilta osin Varjon ilmoittamien teknisten tietojen mukaisesti Normaaleissa käyttöolosuhteissa. Tämä rajoitettu takuu ei koske mitään Varjo-tuotteen käytön edellyttämiä ohjelmistoja tai muita tuotteita, joita ei ole toimitettu ostetun Varjo-tuotteen alkuperäisessä myyntipakkauksessa. Näihin tuotteisiin sovelletaan niiden omia käyttöehtoja ja muita ehtoja, vaikka ne olisi tarkoitettu tai

nimikoitu käytettäväksi yhdessä Varjo-tuotteen kanssa.

Tämä rajoitettu takuu on voimassa ja täytäntöönpanokelpoinen vain sillä edellytyksellä, että Käyttäjä on ostanut Varjo-tuotteen uutena Valtuutetulta jälleenmyyjältä ja että Varjo-tuote on myyty Käyttäjälle alkuperäisessä sinetöidyssä tuotepakkauksessa. Tätä rajoitettua takuuta tai sen oikeuksia ei voida siirtää kolmansille osapuolille elleivät sovellettavan lainsäädännön pakottavat säädökset toisin määrää.

Kun Käyttäjä palauttaa Varjo-tuotteen Takuuajana tämän rajoitetun takuun ehtojen mukaisesti, Varjo tai sen huoltokumppani oman harkintansa mukaan joko korjaa tai vaihtaa Varjo-tuotteen.

Korjauksessa tai vaihdossa voidaan käyttää toiminnaltaan uutta vastaavaa kunnostettua Varjo-tuotetta tai kunnostettuja osia ellei lainsäädäntö toisin määrää. Kun Varjo-tuote vaihdetaan, Varjo toimittaa Käyttäjälle joko alkuperäisen mallin mukaisen tuotteen tai alkuperäistä mallia parhaiten vastaavan mallin, mikäli alkuperäistä mallia ei ole saatavana. Varjo tai sen huoltokumppani palauttaa korjatun tai vaihdetun Varjo-tuotteen Käyttäjälle omalla kustannuksellaan. Kaikista Käyttäjän Varjolle lähettämistä Varjo-tuotteista, jotka Varjo vaihtaa, tulee Varjon omaisuutta.

Jos Varjo korjaa tai vaihtaa Varjo-tuotteen, korjatun tai vaihdetun Varjo-tuotteen takuu on voimassa alkuperäisen Takuuajan jäljellä olevan ajan tai kolme (3) kuukautta korjaus- tai vaihtopäivästä sen mukaan, kumpi näistä on pidempi.

Käyttäjällä ei ole oikeutta vaatia Varjo-tuotteen pettämisestä tai siitä aiheutuista mahdollisista tappioista mitään muuta korvausta kuin Varjo-tuotteen korjaamista tai vaihtamista eikä Varjolla ole mitään muita velvollisuuksia Käyttäjää kohtaan tähän liittyen. Mikäli Varjo oman harkintansa mukaan päättää, että vikaa tai toimintahäiriötä ei voida korjata millään edellä mainituista keinoista, Varjo voi palauttaa Käyttäjälle Varjo-tuotteen ostohinnan.

Tämä rajoitettu takuu on lopullinen, kattava ja ainoa takuu, jonka Varjo myöntää Varjo-tuotteelle eikä muilla henkilöillä tai oikeushenkilöillä (valtuutettu jälleenmyyjä mukaan lukien) ole valtuuksia antaa mitään takuita tai vakuutuksia Varjon puolesta. VARJO SITOUTUU IRTI KAIKISTA MUISTA ERITYISISTÄ JA IMPLISIITTISISTÄ TAKUISTA JA VAKUUTUKSISTA KUIN TÄMÄ RAJOITETTU TAKUU, MUKAAN LUKIEN KAIKKI IMPLISIITTISET TAKUUT KAUPALLISESTA HYÖDYNNEÄVYYDESTÄ TAI SOPIVUUDESTA TIETTYYN TARKOITUKSEEN. ELLEI TÄSSÄ RAJOITETUSSA TAKUUSSA TOISIN MÄÄRÄTÄ, KAIKKI VARJO-TUOTTEET TOIMITETAAN "SELLAISINAAN" JA "MAHDOLLISINE VIKOINEEN". Mikäli jonkin implisiittisen takuun pois sulkeminen ei ole mahdollista, sen kesto rajataan Takuuajana. Tämä rajoitus ei

koske Käyttäjää, joihin sovellettava lainsäädäntö ei salli pakottavan implisiittisen takuun keston rajoittamista.

Tämä rajoitettu takuu ei koske muita kuin Varjo-tuotteen alkuperäistä ostajaa. Tämä rajoitettu takuu ei ole voimassa, jos Takuu aika on päättynyt, Varjo-tuote ei täytä tämän rajoitetun takuun ehtoja tai Käyttäjä ei tee takuuvaadetta osan 5 ehtojen mukaisesti. Mikäli rajoitettu takuu ei ole voimassa, Varjo voi tarjota Käyttäjälle takuun ulkopuolisia maksullisia huoltopalveluja, jolloin Käyttäjä vastaa itse kaikista Varjo-tuotteen korjaus- tai vaihtokuluista.

3. Takuupalvelu

Jos Varjo-tuotteessa ilmenee ongelmia, osoitteessa [varjo.com/support](https://www.varjo.com/support) on tukitietoja, yhteystiedot ja lomake takuupalvelun vaatimista varten. Jos Varjo-tuote on lähetettävä huollettavaksi, Varjo toimittaa Käyttäjälle ohjeet sitä varten. Käyttäjän on ehkä maksettava toimituskulut Varjo-tuotteen Varjolle toimittamisesta. Kun Varjo vastaanottaa Varjo-tuotteen, Varjo selvittää, onko Varjo-tuotteessa ilmennyt vika tai toimintahäiriö tämän rajoitetun takuun perusteella korvattava. Jos vika tai toimintahäiriö todetaan tästä rajoitetusta takuusta korvattavaksi, Varjo palauttaa Käyttäjän Varjo-tuotteen olennaisilta osin Varjon ilmoittamien teknisten tietojen mukaisesti Normaaleissa käyttöolosuhteissa toimivaksi korjaamalla tai vaihtamalla sen ja lähettää korjatun tai vaihdetun Varjo-tuotteen Käyttäjälle omalla kustannuksellaan. Varjo ei välttämättä palauta alkuperäistä Varjo-tuotetta Käyttäjälle. Jos Käyttäjä ei lähetä Varjo-tuotteen mukana kelvollista ostotositetta, Varjo palauttaa Varjo-tuotteen Käyttäjälle tämän kustannuksella edellyttäen, että Käyttäjä maksaa toimituskulut etukäteen. Mikäli Käyttäjä ei maksa toimituskuluja etukäteen, Varjo säilyttää Varjo-tuotteen Käyttäjän noudettavissa kolmenkymmenen (30) päivän ajan, minkä jälkeen se hävitetään.

4. Takuun kattavuusrajoitukset

Tämä rajoitettu takuu ei kata (i) käytettyjä tai eteenpäin myytyjä Varjo-tuotteita, (ii) muilta kuin Valtuutetuilta jälleenmyyjiltä ostettuja Varjo-tuotteita tai (iii) mitään ohjelmistoja (mukaan lukien muita vaihtoehtoja rajoittamatta Varjo-tuotteessa olevat ohjelmistot tai Varjon toimittamat PC-ohjelmistot) eikä Varjo ole vastuussa mistään näistä.

Lisäksi tämä rajoitettu takuu ei kata eikä Varjo ole vastuussa Varjo-tuotteen vahingoista tai Varjo-tuotteen katoamisista, jotka johtuvat (i) onnettomuudesta (kuten vahingossa tapahtuneesta fyysisestä iskusta, altistumisesta nesteelle, ruoalle tai muille

epäpuhtauksille), varkaudesta (ii), käytöstä muissa kuin Normaaleissa käyttöolosuhteissa tai virheellisestä käytöstä (mukaan lukien muita vaihtoehtoja rajoittamatta laiminlyönti, väärinkäyttö tai tuotteen muuttaminen), (iii) käytöstä sellaisen yhteensopimattoman tuotteen kanssa, joka ei ole Varjon myymä tai lisensoima, (iv) käytöstä riittämättömällä ilmanvaihdolla, (v) lasten käytöstä, (vi) Varjon suojausmekanismien kiertämisestä, (vii) purkamisesta, (viii) viruksista tai muista Varjo-tuotteeseen ilmaantuneista ohjelmistongelmista, (ix) Varjo-tuotteen käyttämisestä käyttömaan lakien, säädösten tai asetusten vastaisesti, (x) luvuttomista korjauksista aiheutuneista vioista tai vaurioista tai (xi) luonnonilmiöistä, mukaan lukien muita vaihtoehtoja rajoittamatta salamointi, tulvat, hirmumyrskyt, maanjäristykset ja hurrikaanit, tai jotka ovat (xii) kosmeettisia vaurioita (kuten naarmuja).

Tämä rajoitettu takuu ei myöskään kata eikä Varjo ole vastuussa sellaisista Varjo-tuotteen vaurioista tai Varjo-tuotteiden katoamisista, jotka johtuvat normaalista kulumisesta tai kulutustavaroiden normaalista hupenemisesta.

Tämä rajoitettu takuu ei sisällä mitään takuita Varjo-tuotteen virheettömyydestä, käytettävyydestä, käytön keskeytyksettömyydestä, ohjelmiston tai verkkotilien tietoturvaominaisuuksista tai minkään ohjelmiston, laiteohjelmiston tai verkkosivuston keskeytyksettömyydestä tai virheettömyydestä toiminnasta. Tämä rajoitettu takuu mitätöityy, mikäli palautetun Varjo-tuotteen tarjoa on poistettu, vahingoitettu tai käsitelty tai Varjo-tuotteeseen on tehty mitään muutoksia (mukaan lukien muita vaihtoehtoja rajoittamatta osan tai ulkoisen katteen poistaminen). [Tämä rajoitettu takuu ei kata tietojen häviämistä. Käyttäjä on itse vastuussa niiden tietojen säännöllisestä sähköisestä tai fyysisestä varmuuskopioimisesta, jotka hän haluaa säilyttää. Tietojen palauttamiseen, poistamiseen tai asentamiseen liittyviä vahinkoja tai kustannuksia ei korvata tästä rajoitetusta takuusta.]

5. Vastuunrajoitus

SIINÄ LAAJUUDESSA KUIN SOVELLETTAVA LAINSÄÄDÄNTÖ SEN ENIMMILLÄÄN SALLII, VARJO JA SEN TOIMITTAJAT SANOUTUVAT IRTI KAIKISTA EPÄSUORIIN, SEURAAMUKSELLISIIN, SATUNNAISIIN, VÄLILLISIIN, RANGAISTUSVASTUISIIN PERUSTUVIIN TAI ERITYISLUONTEISIIN VAHINKOIHIN LIITTYVISTÄ VASTUISTA, MUKAAN LUKIEN MUITA VAIHTOEHTOJA RAJOITTAMATTA VOITTOJEN MENETYKSISTÄ, KAUPALLISISTA MENETYKSISTÄ, LIIKETOIMINNAN KESKEYTYMISESTÄ, LIIKETOIMINTATIETOJEN HÄVIÄMISESTÄ, TIETOJEN HÄVIÄMISESTÄ, TIETOSUOJAN VAARANTUMISESTA, LUOTTAMUKSELLISUUDEN VAARANTUMISESTA TAI VARJO-TUOTTEEN VAIHTAMISEN TAI KORJAAMISEN AJAKSI HANKITTUJEN KORVAAVIEN TUOTTEIDEN

TAI LAITTEIDEN HANKINTAKULUISTA JOHTUVAT VASTUUT. SIINÄ LAAJUudessa KUIN SOVELLETTAVA LAINSÄÄDÄNTÖ SEN ENIMMILLÄÄN SALLII, VARJON JA SEN TOIMITTAJIEN TÄMÄN RAJOITETUN TAKUUN MUKAINEN ENIMMÄISVASTUU RAJOITTUU KÄYTTÄJÄN VARJO-TUOTTEESTA MAKSAMAAN SUMMAAN. NÄMÄ VASTUUNRAJOITUKSET OVAT VOIMASSA, VAIKKA KORVAUS EI TÄYTTÄISI OLEENNAISTA TARKOITUSTAAN TAI VAIKKA VARJOLLE OLISI ETUKÄTEEN ILMOITETTU VAHINKOJEN MAHDOLLISUUDESTA, JA NE KOSKEVAT KAIKKIA TÄSTÄ RAJOITETUSTA TAKUUSTA JOHTUVIA TAI SIIHEN LIITTYVIÄ VAATIMUKSIA SIITÄ RIIPPUMATTA, ONKO VAATIMUSTEN OIKEUSPERUSTE SOPIMUS, OIKEUDENRIKKOMUS (HUOLIMATTOMUUS MUKAAN LUKIEN), TUOTEVASTUU TAI JOKIN MUU TOIMINTA, OIKEUSTEORIA TAI MUU PERUSTE. Jotkin osavaltiot ja maat eivät salli seuraamuksellisten tai satunnaisten vahinkojen vastuunrajoituksia, joten tämän rajoitetun takuun rajoitukset ja vastuunrajoitukset eivät ehkä koske kaikkia Käyttäjiä.

Kenelläkään Varjon työntekijällä tai edustajalla tai sen tytäryhtiöillä tai kolmansilla osapuolilla ei ole oikeutta tehdä mitään muutoksia, laajennuksia tai lisäyksiä rajoitettuun yritystakuuseen tai mihinkään näiden ehtojen osiin.

6. Yleiset ehdot

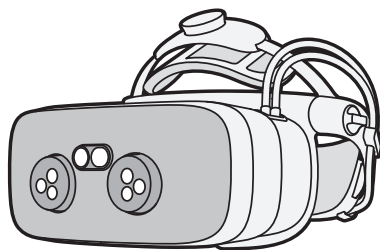
6.1 Tähän rajoitettuun takuuseen sovelletaan Suomen lainsäädäntöä sen lainvalintasäädökset pois lukien. YK:n kansainvälistä tavaran kauppaa koskevaa yleissopimusta ei sovelleta. Kaikki tästä rajoitetusta takuusta johtuvat riitatapaukset, erimielisyydet ja kanteet ratkaistaan Suomen Keskuskauppakamarin välimiesmenettelysääntöjen mukaisesti järjestettävässä välimiesmenettelyssä, jonka tulos on lopullinen ja sitova. Välimiesmenettely järjestetään Helsingissä. Välimiesmenettely järjestetään englannin kielellä.

6.2 Jos jokin tämän rajoitetun takuun ehto todetaan jonkin lainkäyttöalueen lakien perusteella lainvastaiseksi, mitättömäksi tai täytäntöönpanokelvottomaksi, se ei vaikuta rajoitetun takuun muiden ehtojen laillisuuteen, kelpoisuuteen tai täytäntöönpanokelpoisuuteen.

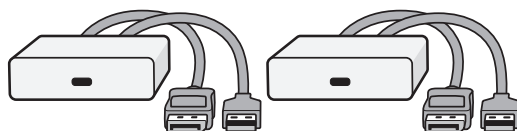
Lådans innehåll

XR-3

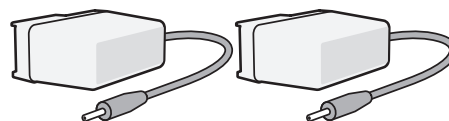
mixed reality-headset



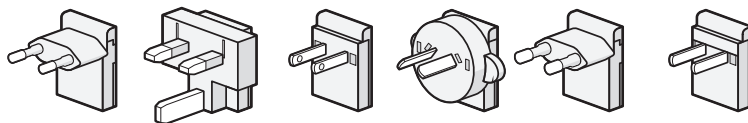
2 headsetadapterar



2 nätadapterar



6 strömkontakter, 2 av varje



EURO

UK

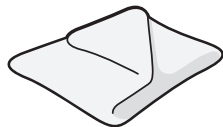
US

AUS

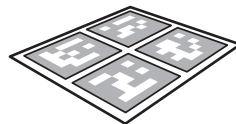
KOR

CHN

Rengöringsduk

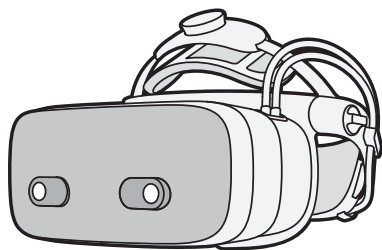


Varjos referensmarkör

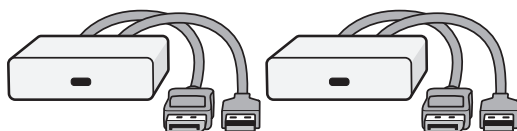


VR-3

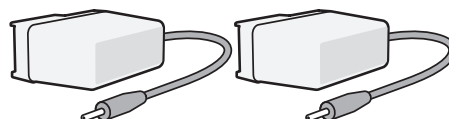
vr-headset



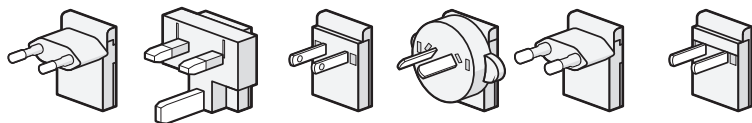
2 headsetadapterar



2 nätadapterar



6 strömkontakter, 2 av varje



EURO

UK

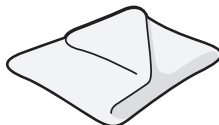
US

AUS

KOR

CHN

Rengöringsduk



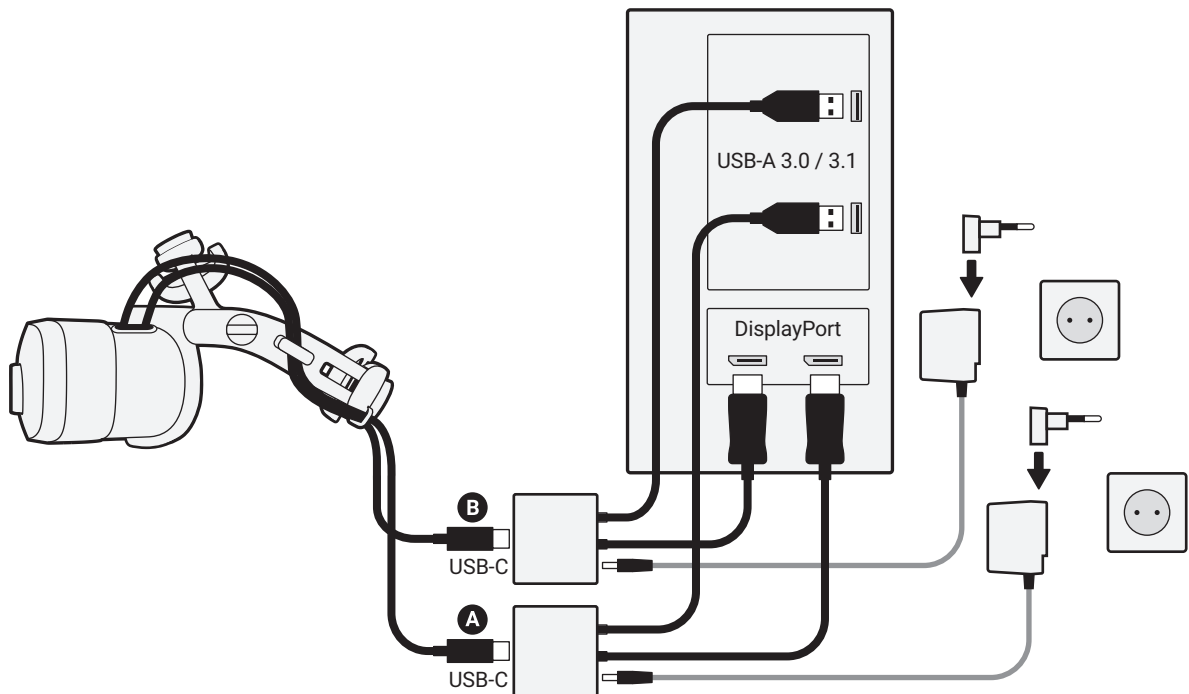
SV

Anslut headsetet

Varjo-headset är kompatibla med Windows.

1. **A** och **B** : Anslut varje headsetkabel till en headsetadapter.
2. Headsetadapter: Anslut varje adapter till en DisplayPort-utgång på grafikkortet och till en USB-A 3.0/3.1-port på moderkortet.

Gå till [varjo.com/start/system](https://www.varjo.com/start/system) för att läsa mer om systemkrav.



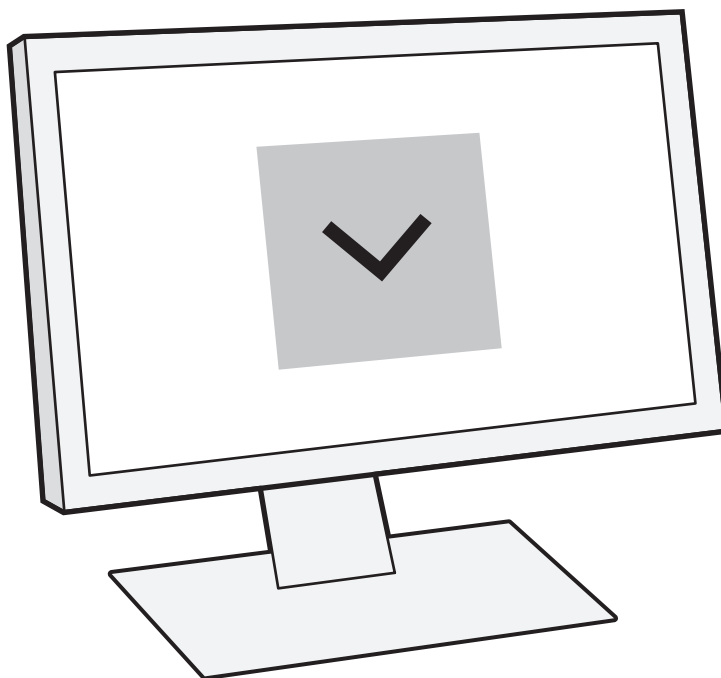
Hämta Varjo Base

Varjo Base är den programvara som används för att köra headsetet med Windows. Hämta Varjo Base för att komma igång.

1. Gå till **varjo.com/start**.
2. Skapa ett Varjo-konto.
3. Hämta och starta Varjo Base.
4. Följ installationsanvisningarna.

Du måste ha ett giltigt abonnemang för att använda headsetet.

Läs mer på **varjo.com/subscriptions**.



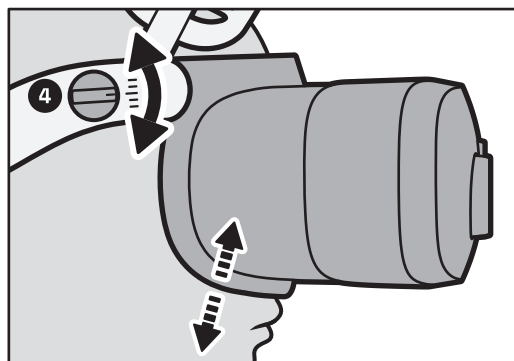
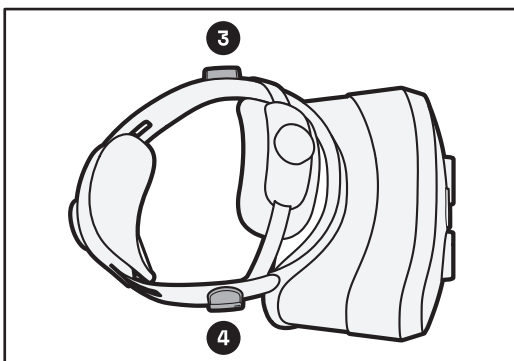
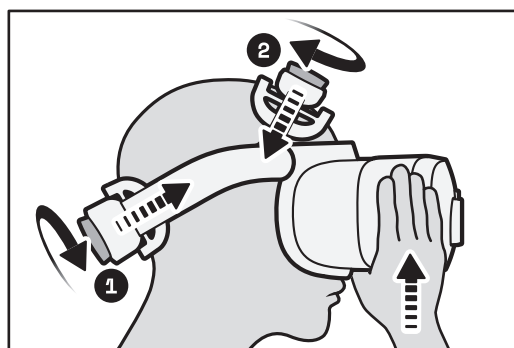
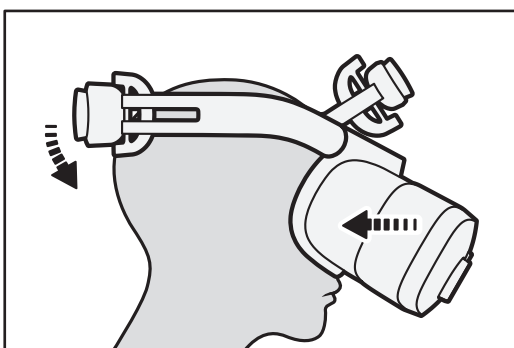
Sätt på dig headsetet

För att sätta på dig headsetet ska du sätta den främre delen av headsetet på ansiktet och sedan dra huvudbandet över bakhuvudet. Man kan ha på sig de flesta sorters glasögon som inte är progressiva under headsetet.

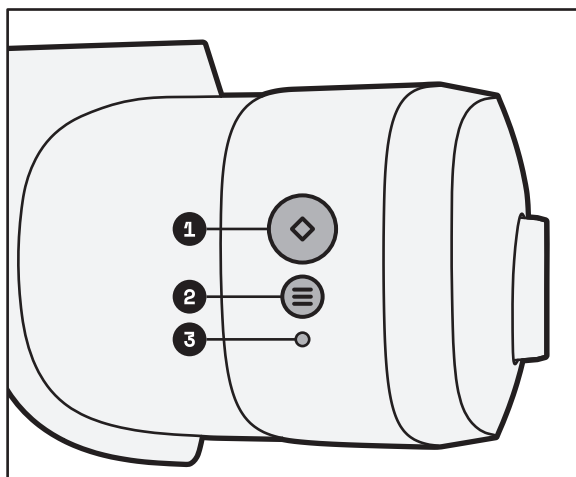
Justera headsetet för bästa komfort när det sitter på:

- 1 : Vrid på det bakre reglaget för att dra åt huvudbandet.
- 2 : Vrid på det främre reglaget för att höja eller sänka headsetet på huvudet. Stötta headsetet med en hand medan du justerar.
- 3 och 4 : Justera headsetets läge på ansiktet med sidoreglagen.

Headsetet sitter rätt när det känns bekvämt på huvudet och bilden är skarp.



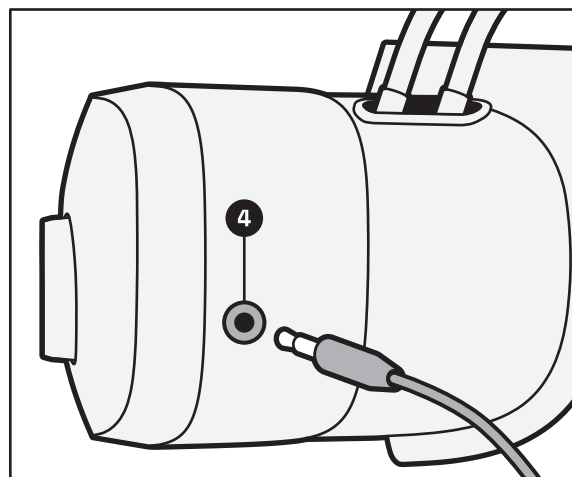
Använd headsetet



1 Åtgärdsknapp: interagera med dina appar

2 Menyknapp: öppna menyn

3 Statuslampa



4 Hörlurskontakt

| LED-mönster | Headsetstatus |
|-------------------|----------------------|
| Vit (blinkande) | Startar |
| Grön (fast) | Enheten fungerar |
| Grön (pulserande) | Inaktiv |
| Grön (blinkande) | Stänger av |
| Orange (fast) | Varjo Base körs inte |

Rengör headsetet

Rengör headsetet regelbundet, särskilt om du delar det med andra.

Headsetlinser: rengör försiktigt med en duk för optiska linser eller en mikrofiberduk för linser.

Headset, kuddar, näsområdet och området kring linserna: rengör med en mjuk desinfektionsduk.

Du kan köpa nya kuddar på [Varjo Store](#).

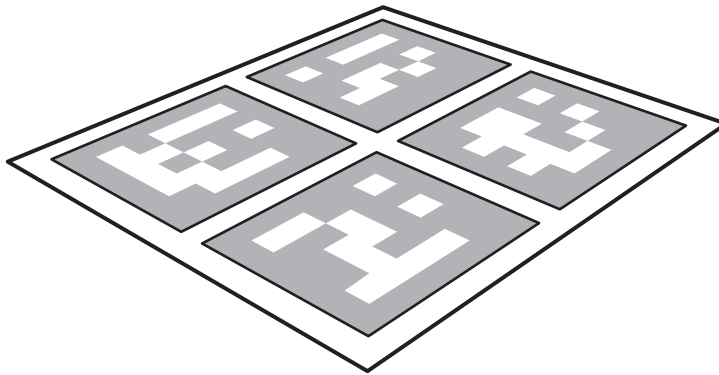


Använd Varjos referensmarkör

Använd Varjos referensmarkör för att förbättra precisionen för Varjo ut-och-in-spårning.

Varjo ut-och-in-spårning är en funktion för mixed reality-headsetet Varjo XR-3.

Gå till [varjo.com/start/get-to-know-your-headset](https://www.varjo.com/start/get-to-know-your-headset) för att läsa mer.



Produkt- och säkerhetsinformation

Avsedd användning

Headsetet är avsett att användas inomhus av vuxna. Om headsetet inte används som avsett kan det leda till felfunktion.

Risicanvändning

Programvara och produkter från Varjo har inte designats, konstruerats eller certifierats för att styra utrustning eller system inom flyg, industri, militär eller medicin, och inte heller för kommersiell utrustning eller kommersiella system där det finns betydlig risk för att dödsfall eller allvarlig skada mot människor, djur eller miljö kan uppstå till följd av en felfunktion i programvaran eller produkterna. Dessa bedöms som risicanvändningsområden. VARJO AVRÅDER SKARPT MOT ATT PROGRAMVARAN ELLER PRODUKTERNA BRUKAS INOM RISKANVÄNDNINGSSOMRÅDEN. Om du bestämmer dig för att använda programvara och/eller produkter inom risicanvändningsområdena gör du det på egen risk och tar allt ansvar. Du är också skyldig att vidta alla rimliga åtgärder för att minimera risk och skada som kan uppstå till följd av bruket och/eller till följd av att en felfunktion uppstår i programvaran eller produkterna.

Produktetikett

Headsetets modellnamn och serienummer finns tryckt på etiketten som sitter på bakre delen av huvudbandet.

Hälsa- och säkerhetsvarningar

För att minska risken för personskada, obehag och egendomsskada ska du se till att alla som använder headsetet läser igenom varningarna nedan först.

Innan du använder headsetet

En bekväm upplevelse i mixed reality eller vr kräver en fullständig uppfattning av rörelse och balans. Använd inte headsetet om du är sjuk, trött, sömnig, alkoholpåverkad, drogpåverkad, bakfull, stressad, eller om du lider av matsmältningsproblem, oro, ångest, förkylning, influensa, migrän, huvudvärk eller ett nedsatt allmäntillstånd. Bruket kan förvärra tillståndet. Rådfråga en läkare innan du använder headsetet om du har några tillstånd som kan påverka synen eller rörligheten, om du är gravid eller äldre, om du har en hjärtsjukdom eller något annat allvarligt medicinskt tillstånd, eller om du lider av

anfall, migrän eller psykiatriska åkomor.

Säker miljö

Varjo-headseten skapar en verklighetstrogen upplevelse i mixed reality eller vr som kan vara distraherande eller göra det svårt att se den verkliga omgivningen.

- Kom ihåg att de virtuella föremålen du ser inte existerar i din verkliga omgivning och att deras storlek och plats inte är verkliga. Försök inte att sitta på, stå på eller stötta dig mot dem. Var medveten om verkliga föremål som kan finnas bortom eller inom virtuella föremål.
- Använd aldrig ditt headset i situationer där din uppmärksamhet krävs, till exempel medan du går, cyklar eller kör. Använd inte headsetet i ett fordon i rörelse.
- Kom ihåg att du kanske inte märker om andra kommer in i rummet medan du använder headsetet.
- Innan du använder headsetet ska du se till att frigöra området från personer, möbler och andra föremål som kan komma i vägen för rörelser. Se också till att du har tillräckligt med plats över och runt dig så att du kan sträcka ut armarna medan du använder headsetet.
- Använd inte headsetet i närheten av väggar, trappor, balkonger, fönster, öppna dörrhåll, låga tak, takfläktar, taklampor, saker som kan gå sönder, eld, värmekällor eller andra föremål du kan gå in i eller slå omkull.
- Håll koll på var du har kablarna så att du inte kliver på dem, snubblar över dem eller drar i dem medan du använder headsetet. Se till att inte rycka, knyta eller böja kablarna.
- Använd inte vassa eller farliga föremål medan du använder headsetet.

Obehag

Vissa personer som använder headsetet kan uppleva torra ögon, ansträngda ögon, ryckande ögonmuskler, ofrivilliga rörelser, förändrad syn, suddig syn, dubbelseende, andra synproblem, yrsel, snurrighet, en obehaglig känsla eller smärta i huvudet eller ögonen, huvudvärk, försämrad balans, försämrad koordination, överdrivna svedtningar, ökad salivproduktion, illamående, utmattning, ouppmärksamhet eller anfall och andra symptom på åksjuka.

När man använder headsetet första gångerna ska man göra det i korta stunder med regelbundna pauser. Om du känner obehag ska du sluta använda headsetet och vänta tills symptomen går över innan du fortsätter. Du ska inte köra, styra maskiner eller bedriva andra aktiviteter som ställer krav på synen eller kroppen förrän du återhämtat dig från alla symptom. Om du inte kan se virtuella föremål tydligt eller på ett sätt som är bekvämt kan du kontakta läkare.

Överdriven användning

Ta regelbundna pauser när du använder headsetet. Att använda headsetet under längre perioder kan påverka koordinationen, försämra balansen eller ge andra negativa följder.

Förslitningsskador

Använd headsetet i en bekväm ställning. Använd inte våld när du håller i headsetet eller trycker på knapparna. Om du upplever pirrande, domningar, brännande smärta, stelhet, dunkande eller annat obehag ska du sluta använda headsetet tills symptomen gått över. Om symptomen inte ger med sig ska du kontakta läkare.

Störningar mot medicinsk utrustning

Headsetet kan avge radiovågor som kan påverka elektronisk utrustning i närheten, inklusive pacemakers, hörapparater och defibrillatorer. Om du använder pacemaker eller har en medicinsk enhet insatt ska du inte använda headsetet utan att rådfråga en läkare eller producenten av enheten först. Håll ett säkerhetsavstånd mellan headsetet och medicinsk utrustning och sluta använda headsetet om du upptäcker några störningar.

Nedsatt hörsel

Överdriven exponering till höga ljud kan orsaka hörselskador. Om du använder hörlurar i kombination med headsetet ska du börja med låg volym och höja den stegvis om så behövs. Dra inte upp volymen för högt.

Anfall

Vissa personer kan drabbas av allvarlig yrsel, svimningsanfall, epilepsianfall eller medvetlöshet utlöst av blinkande ljus, mönster eller infraröda ljuskällor i spårningsenheter även om det inte har hänt tidigare. Om du upplever något av dessa symptom ska du sluta använda headsetet och prata med en läkare. Om du tidigare upplevt något av dessa symptom ska du rådfråga en läkare innan du använder headsetet. För att minska risken för anfall ska du inte använda headsetet när du är trött.

Inget ögonskydd

Varjo-headset skyddar inte ögonen mot stötar, bråte, UV-ljus, annat skadligt ljus, partiklar, projektiler eller skadliga föremål.

Elchock

Försök inte att plocka isär, öppna, laga eller modifiera headsetet eller strömenheten; det kan ge stötar eller utsätta dig för andra faror. Headsetet och strömenheten kan också ta skada. Utrustning med strömkontakt ska sättas i ett uttag nära utrustningen och nära till hands. Använd bara headsetet tillsammans med headsetadaptern och nätadaptern som ingår i boxen vid köp: (Adapter Technology Co., Ltd. (ATS036T-W120V(Level VI)) Nätspänning AC 100–240 V / 50–60 Hz, 1 A, DC-utmatning +12V / 0–3A. Det kan vara farligt att använda andra strömkällor.

LASERPRODUKT KLASS 1

(Gäller endast mixed reality-headsetet Varjo XR-3)

Skadad eller trasig enhet

Använd inte headsetet om någon del skadats eller gått sönder, om de medföljande kablarna är slitna eller om några kabeltrådar exponerats. Försök inte laga någon del av headsetet själv. Reparationer bör bara utföras av certifierade serviceverkstäder eller Varjo.

Smittsamma sjukdomar

För att undvika risken att överföra smittsamma sjukdomar mellan personer ska man inte dela headsetet med personer som har infektioner eller smittsamma sjukdomar, särskilt i ögonen, huden eller hårbotten.

Hudirritation

Sluta använda headsetet om du upplever svullnad, klåda eller annan irritation. Om symptomen kvarstår ska du prata med en läkare.

Säkerhetsinformation

För att motverka skador på dig själv eller headsetet ska du läsa säkerhetsinformationen innan du använder det.

Ta på headsetet

När du sätter på dig headsetet första gången ska du följa instruktionerna för hur man positionerar headsetet korrekt på huvudet. Headsetet sitter rätt när det känns bekvämt på huvudet och bilden är skarp. Headsetet ska inte göra ont eller trycka mot huvudet, och kudden bör kännas bekväm mot ansiktet.

När du tar på dig headsetet justeras linserna automatiskt utifrån

avståndet mellan dina pupiller. Inställningen är aktiverad som standard. Vi rekommenderar att den får fortsätta vara på. Stäng av inställningen om den automatiska justeringen inte fungerar för dig, till exempel på grund av glasögon eller någon ögonsjukdom. Om du stänger av den automatiska justeringen kan det kännas obehävt att använda headsetet.

Belysning

Använd headsetet i en väl upplyst miljö för att få ut mesta möjliga av kamerorna i headsetet. Tänk på att reflekterande ytor kan störa positionsspårningen.

Skötsel och underhåll

Var försiktig med headsetet och förvara det på en ren och dammfri plats.

Solljus och externa ljuskällor

Lämna inte headsetet i direkt solljus eller starkt ultraviolett ljus. Exponering för direkt solljus kan skada optiken och skärmen. Lys inte med laser eller en extern ljuskälla genom linserna.

! Skada

- Tappa in headsetet, böj inte på det och slå det inte mot andra föremål; det kan påverka linsernas kalibrering.
- Repa inte linserna.
- Lyft headsetet genom att hålla i huvuddelen eller huvudbandet.
- Lyft inte headsetet genom att hålla i kuddarna eller kablarna.
- Kliv inte på kablarna.

! Skada som kräver service

Endast kvalificerade yrkespersoner ska ge headsetet service. Kontakta en certifierad servicetjänst om:

- Headsetet har utsatts för vätska eller blivit tappat.
- Headsetet har utsatts för en stöt eller skada.
- Headsetet överhettas.
- Headsetet inte fungerar som det ska även när du följer instruktionerna.

Rengöring

Koppla ur headsetet från strömkällan innan du rengör det. Rengör headsetet med en mjuk desinfektionsduk. Använd inte tvål, starka kemikalier, alkohol, lösningsmedel, rengöringsmedel eller

aerosoler. Använd aldrig vatten för att rengöra headsetet. Rengör headsetlinserna och den främre ytan försiktigt med en duk för optiska linser eller en mikrofiberduk för linser. Rengör inte linserna med vätska eller kemiska rengöringsmedel. Rengör kuddarna med en mjuk desinfektionsduk.

Enhetens temperatur

Det är normalt att headsetet blir varmt under användning. Särskilt de framåtriktade kamerorna och ventilationsytorna kan bli varma. Långvarig hudkontakt med ett varmt headset kan ge obehag eller rodnad, eller lättare brännmärken. Om ditt headset känns varmt eller hett ska du sluta använda det och låta det svalna.

Tillbehör

Använd inte headsetet med otillåtna eller inkompatibla tillbehör eller program. Om du använder otillåtna tillbehör eller program kan det orsaka prestandaproblem eller leda till skada. Gå till [varjo.com/support](https://www.varjo.com/support) för att se en lista över kompatibla tillbehör och program.

Användning och förvaring

Placering

Använd endast headseten i välventilerade miljöer.

- Täck inte headsetet.
- Täck inte ventilationshålen högst upp eller längst ned på headsetet.
- Placera inte headsetet nära föremål som kan repa linserna.
- Utsätt inte headsetet för öppna lågor eller rök.
- Placera inte headsetet nära värmekällor, varma områden eller extrema temperaturer.
- Använd inte headsetet nära vatten eller andra vätskor.
- Använd inte headsetet efter kraftiga temperaturförändringar. När du flyttar headsetet mellan olika miljöer i olika temperaturer och/eller nivåer av luftfuktighet kan kondensation bildas på eller i headsetet. Innan du använder headsetet ska du se till att fukten hinner avdunsta.

Obs! När du tar headsetet från lägre temperaturer till högre temperaturer eller tvärtom ska du se till att headsetet hinner omställas till den nya rumstemperaturen innan du startar det. Använd headsetet i temperaturer på 10 °C–27 °C (50 °F–80 °F). Förvara headsetet i 0 °C–40 °C (32 °F–104 °F) i köplådan för att minimera risken för skada.

Radiofrekvenser

| Komponent | Märkdata | Frekvens | Högsta utgående ström |
|-----------|----------|----------------|-----------------------|
| Headset | 12V, 3A | 2,402–2,48 GHz | 1 mW |

Återvinning

Direktiv 2012/19/EU om avfall som utgörs av eller innehåller elektrisk och elektronisk utrustning (WEEE) som trädde i kraft den 13 februari 2003 resulterade i en stor förändring av hur elektrisk utrustning hanteras vid kassering. Kontrollera vad som gäller för kassering av elektronik där du bor.



Symbolen med den överstrukna soptunnan på headsetet, batteriet, manualerna och förpackningen är en påminnelse om att all elektronik, elektroniska produkter, batterier och använda förpackningsmaterial ska återvinnas var för sig vid kassering. Släng inte produkterna som osorterade hushållssopor, utan lämna in dem för återvinning. Ta reda på var din närmsta återvinningsstation finns hos ansvariga för avfallshanteringen.

CE Information för Europeiska unionen

Härmed förklarar Varjo att headseten HS-5 och HS-6 följer direktiv 2014/53/EU. Den fullständiga EU-försäkran om överensstämmelse kan läsas på följande webbadress: varjo.com/compliance.

Obs! Utrustningen har testats för och följer begränsningarna IEC:s kriterium C.

En direkt elektrostatisk urladdning på +/- 500V eller mer mot kameran kan resultera i nedsatt funktionalitet. Kameran kan behöva startas om för att fungera normalt.

FC FCC- och ISED-information till användaren

Obs! Utrustningen har testats för och följer begränsningarna för digitala enheter i klass A i enlighet med del 15 av FCC:s regler. Begränsningarna har utformats för att ge rimligt skydd mot skadliga störningar när utrustningen används i handelsmiljöer. Utrustningen genererar, använder och avger radioenergi och om den inte installeras i enlighet med instruktionerna kan den ha skadlig inverkan på radiokommunikation. Att använda utrustningen i bostadsområden kan troligen orsaka skadliga störningar, och i så fall måste användaren rätta till störningarna på egen bekostnad.

Denna digitala klass A-apparat följer den kanadensiska standarden ICES-003.



California Proposition 65

WARNING: Cancer – www.P65Warnings.ca.gov.

FCC- och ISED-efterlevnad

Den här enheten följer del 15 av FCC:s regler och RSS-247 från Innovation, Science and Economic Development Canada. Bruk omfattas av följande två villkor:

- (1) enheten ska inte orsaka skadliga störningar
- (2) enheten måste godta störningar, inklusive störningar som kan orsaka önskad verkan.

Ändringar eller modifikationer som inte uttryckligen godkänts av den som ansvarar för att de efterföljs kan göra att användaren inte längre är berättigad att använda utrustningen.

FCC- och ISED-strålningsmeddelande

Utrustningen följer de strålningsbegränsningar som FCC och kanadensiska regelverk utformat för en okontrollerad miljö. Den här sändaren får inte placeras eller brukas tillsammans med andra antenner eller sändare.

RoHS-efterföljning

Utrustningen följer Europeiska unionens direktiv 2011/65/EU som utformades 8 juni 2011, avseende bruk av vissa farliga ämnen i elektronik och elektrisk utrustning (RoHS) samt dess tillägg.

Varjos begränsade handelsgaranti

VARJO-PRODUKTEN ÄR AVSEDD FÖR ANVÄNDNING I HANDEL OCH SKA INTE SÄLJAS TILL KUNDER. DEN BEGRÄNSADE HANDELSGARANTIN GER DIG SÄRSKILDA JURISKA RÄTTIGHETER OCH DU KAN ÄVEN HA ANDRA JURIDISKA RÄTTIGHETER SOM SKILJER SIG ÅT MELLAN OLIKA STATER OCH LÄNDER.

1. Definitioner

Följande definitioner gäller den begränsade garantin:

- "Varjo-produkter" avser Varjo-headsetet och alla tillbehör i lådan vid det ursprungliga köpet från en certifierad återförsäljare eller Varjo ("certifierad återförsäljare").
- "Du", "dig", "din" och "dina" avser den ursprungliga affärsperson som köpte Varjo-produkten från en certifierad återförsäljare.
- "Garantiperioden" är tolv (12) månader från det att du köpte Varjo-produkten från en certifierad återförsäljare.

- "Normal användning" avser vanligt handelsbruk i enlighet med användarmanualen.
- "Användarmanualen" avser alla instruktioner, säkerhetsriktlinjer och andra dokument som ingick i lådan eller som publicerats online av Varjo.

2. Giltighet

Varjo garanterar endast för dig att Varjo-produkten under garantiperioden kommer att fungera enligt Varjos tekniska specifikationer under normal användning. Den begränsade garantin gäller ingen programvara eller några andra produkter som krävs för att använda Varjo-produkten, som inte ingår i lådan vid köptillfället. Sådana produkter går under sina egna villkor, även om de är avsedda att användas tillsammans med eller har märkts för användning tillsammans med Varjo-produkten.

Den begränsade garantin är endast giltig om du köpt den nya Varjo-produkten från en certifierad återförsäljare i sin obrutna originalförpackning. Du får inte tilldela eller överföra garantin till en tredje part, om inte begränsningen förbjuds av gällande lag.

Om du lämnar tillbaka Varjo-produkten under garantiperioden och den uppfyller villkoren i den begränsade garantin kommer Varjo eller en servicepartner reparera eller ersätta den efter eget omdöme.

Reparation eller ersättning kan involvera bruk av en funktionellt motsvarande reparerad Varjo-produkt och/eller reparerade delar, om så inte förbjuds av lagen. När Varjo-produkten ersätts kan Varjo antingen ersätta den med samma modell, eller om den inte finns tillgänglig, den modell som ligger närmst originalmodellen. Varjo eller servicepartnern står för att återlämna den reparerade enheten eller den ersättande Varjo-produkten till dig. Varjo-produkter du skickar till Varjo som ersätts av Varjo blir Varjos egendom.

Om Varjo lagar eller ersätter Varjo-produkten kommer den lagade eller ersättande Varjo-produkten fortsätta att omfattas av garantin den tid som kvarstår på den ursprungliga garantiperioden eller i tre (3) månader från det datum som reparationen eller ersättningen skedde, och alltid det som är längst tid.

Reparationer eller ersättningar av Varjo-produkter är den enda ersättning du kan få och den enda förpliktelsen Varjo åtar sig avseende ärenden och förluster som sker i samband med felfunktioner hos Varjo-produkter. Om vi beslutar att inga av de listade metoderna är en rimlig åtgärd för att lösa skadan eller felfunktionen kan vi återbetala dig inköpspriset för produkten.

Den här begränsade garantin är den slutgiltiga och enda garantin som erbjuds av Varjo avseende Varjo-produkten och ingen annan person eller organisation (inklusive certifierade återförsäljare) kan lägga till

andra garantier eller säga sig representera Varjo. MED UNDANTAG FÖR DE UTTRYCKLIGA BEGRÄNSADE GARANTIerna INOM DEN HÄR BEGRÄNSADE GARANTIN AVSÄGER SIG VARJO ALLA UTTRYCKTA ELLER ANTYDDA GARANTIER OCH REPRESENTATIONER AV ALLA SLAG, INKLUSIVE ANTYDDA GARANTIER KRING FUNKTIONALITET ELLER LÄMPLIGHET FÖR SÄRSKILDA ÄNDAMÅL. MED UNDANTAG FÖR DET SOM ANGETTS I DEN HÄR BEGRÄNSADE GARANTIN TILLHANDAHÅLLS VARJO-PRODUKTER I BEFINTLIGT SKICK, INKLUSIVE FELFUNKTIONER. Om och i den utsträckning en antydd garanti inte kan avsägas gäller den endast för garantiperioden. Om en lag som gäller dig inte tillåter begränsningar för hur länge en antydd garanti gäller kanske denna begränsning inte gäller dig.

Om du inte är den som ursprungligen köpte Varjo-produkten gäller den begränsade garantin inte dig. Om garantiperioden har gått ut, om Varjo-produkten inte uppfyller villkoren för den begränsade garantin eller om du inte öppnar ditt garantiärende i enlighet med avsnitt 5 gäller inte den begränsade garantin. Om den begränsade garantin inte gäller kan Varjo erbjuda dig tjänster utanför garantin mot en avgift och du kan behöva stå för avgifter i samband med reparationen eller ersättningen av din Varjo-produkt.

3. Hur får man service?

Om du har problem med din Varjo-produkt ska du gå till **varjo.com/support** för att få hjälp och kontaktinformation. Du kan öppna ett ärende för att använda dig av garantitjänster. Om du måste skicka in din Varjo-produkt för service kommer vi att ge dig de instruktioner du behöver. Du kan behöva betala frakten för att skicka Varjo-produkten till oss. När vi mottar Varjo-produkten avgör vi om den har en skada eller felfunktion som täcks av den begränsade garantin. Om vi hittar en skada eller en felfunktion som täcks av den begränsade garantin kommer vi att reparera eller ersätta Varjo-produkten så att du får en Varjo-produkt som uppfyller Varjos tekniska specifikationer under normal användning, och vi skickar den reparerade Varjo-produkten eller en ersättande Varjo-produkt, om tillämpligt, utan extra kostnad. Vi kanske inte återlämnar den ursprungliga Varjo-produkten till dig. Om du skickat oss en Varjo-produkt utan giltigt inköpsbevis återlämnar vi Varjo-produkten och du måste då stå för kostnaden på förhand. Om vi inte mottar kostnaden kan vi hålla Varjo-produkten i trettio (30) dagar i väntan på avhämtning innan vi gör oss av med den.

4. Vad täcks inte av garantin?

Den begränsade garantin gäller inte för, och Varjo ansvarar inte för, (i) använda eller återsålda Varjo-produkter; (ii) Varjo-produkter som inte köpts från certifierade återförsäljare; eller (iii) programvara (inklusive men inte begränsat till programvara i Varjo-produkten och PC-programvara från Varjo).

Den här begränsade garantin täcker inte heller, och Varjo ansvarar inte för skador mot Varjo-produkten eller förlust av Varjo-produkten som resultat av, (i) en olycka (oavsiktliga stötar, exponering för vätska, mat eller andra ämnen, osv.) eller stöld; (ii) användning som inte går under normal användning eller missbruk (inklusive men inte begränsat till försummande, våld eller modifikationer); (iii) användning tillsammans med en olämplig produkt som inte sålts av eller licenserats av Varjo; (iv) användning i otillräcklig ventilation; (v) användning av barn; (vi) kringgående av någon av våra säkerhetsåtgärder; (vii) dekompilering; (viii) defekter eller skador från virus eller andra programvaruproblem som Varjo-produkten utsatts för; (ix) användning av Varjo-produkter som bryter mot lagar, regler eller bestämmelser som gäller där Varjo-produkten används; (x) skador eller defekter som orsakats av ocertifierade reparationer; (xi) naturkatastrofer, inklusive men inte begränsat till blixtnedslag, översvämningar, tornador, jordbävningar eller orkaner; och/eller (xii) kosmetiska skador (till exempel repor).

Den begränsade garantin täcker inte heller, och Varjo ansvarar inte för, skador mot Varjo-produkten eller förlust av Varjo-produkten på grund av normalt slitage eller vanlig förbrukning av förbrukningsdelar.

Slutligen inkluderar den här begränsade garantin inga särskilda garantier om att Varjo-produkten kommer vara felfri, ha en viss drifttid eller fortsatt tillgänglighet, kring datasäkerhetsfunktioner för programvara eller onlinekonton, eller att program, programvara eller webbplatser kommer att fungera oavbrutet eller felfritt. Den begränsade garantin gäller inte om Varjo-produkten återlämnas med borttagna, skadade eller på något sätt ändrade etiketter (inklusive otillåten borttagning av komponenter eller yttre skydd). [Den begränsade garantin täcker inte dataförluster; det är ditt ansvar att regelbundet säkerhetskopiera data, elektroniskt eller fysiskt, om du önskar behålla informationen. Skador eller kostnader relaterade till dataåterhämtning, borttagning och installation kan inte återfås genom den här begränsade garantin.]

5. Ansvarsbegränsning

TILL DEN GRAD SOM LAGEN TILLÅTER AVSÄGER SIG VARJO OCH DESS LEVERANTÖRER ANSVAR FÖR INDIREKTA, TILLFÄLLIGA, PÅFÖLJANDE ELLER SÄRSKILDA SKADOR SAMT STRAFFSKADOR, INKLUSIVE MEN INTE BEGRÄNSAT TILL FÖRLORADE INTÄKTER ELLER HANDELSINTÄKTER, AVBRUTEN TJÄNST, FÖRLORAD AFFÄRSINFORMATION, FÖRLORAD DATA, FÖRLORAD SEKRETESS, FÖRLORAD KONFIDENTIALITET, KOSTNADER FÖR ERSATTA VAROR ELLER NY UTRUSTNING ELLER BORTFALLET BRUK MEDAN VARJO-PRODUKTEN REPARERAS ELLER ERSÄTTS. TILL DEN GRAD SOM LAGEN TILLÅTER GÄLLER VARJOS OCH DESS LEVERANTÖRERS ANSVAR I DEN BEGRÄNSADE GARANTIN ENDAST UPP TILL DEN SUMMA SOM DU BETALAT FÖR VARJO-PRODUKTEN. DE HÄR

UNDANTAGEN GÄLLER ÄVEN OM EN ÅTGÄRD MISSLYCKAS MED SITT SYFTE ELLER OM VARJO HAR INFORMERATS OM MÖJLIGHETEN FÖR DE HÄR SKADORNA AVSEENDE ÄRENDEN KRING ELLER RELATERADE TILL DEN BEGRÄNSADE GARANTIN, OAVSETT HUR DET HANTERATS, OAVSETT OM DET ÄR INOM ETT KONTRAKT, OBLIGATIONER (INKLUSIVE FÖRSUMMELSER), STRIKT PRODUKTANSVAR ELLER ANDRA HANDLINGAR ELLER JURIDISK ELLER MOTSVARANDE TEORI. Vissa stater och länder tillåter inte undantag eller begränsningar av tillfälliga eller påföljande skador, och i så fall är det inte säkert att begränsningarna och undantagen i den begränsade garantin gäller dig.

Inga anställda på Varjo, representanter, samarbetspartner eller tredje parter är tillåtna att göra modifikationer eller tillägg i den begränsade handelsgarantin eller i någon del av villkoren.

6. Allmänna villkor

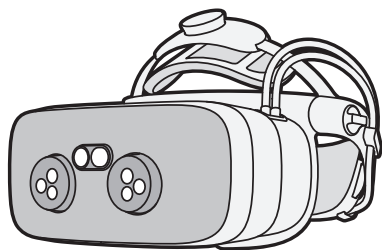
6.1 Den begränsade garantin går under finsk lag, med undantag för valda undantag från bestämmelser. FN-konventionen angående avtal om internationella köp av varor gäller inte. Alla tvister, kontroverser eller ärenden som uppstår till följd av den begränsade garantin avgörs av skiljedomsförfarande i enlighet med finska Centralhandelskammarens skiljeförfaranderegler. Skiljedomsförfarandet sker i Helsingfors. Skiljedomsförfarandet sker på engelska.

6.2 Om någon bestämmelse i den här begränsade garantin är olaglig, ogiltig eller inte kan genomdrivas av tillämplig lag kommer det inte påverka legalitet, giltighet eller genomförande av andra bestämmelser i den begränsade garantin.

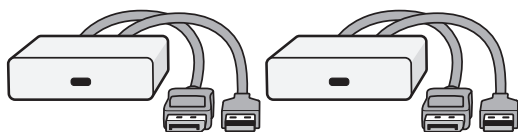
ボックス内

XR-3

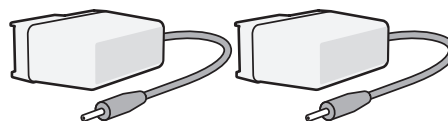
複合現実ヘッドセット



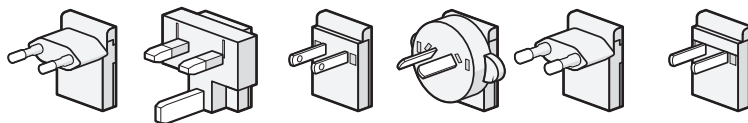
ヘッドセット用アダプター2個



電源ユニット2台



電源プラグ6個、各2個



ヨーロッパ

英国

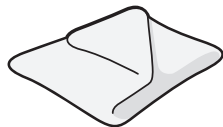
米国

オーストラリア

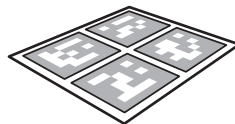
韓国

中華人民共和国

クリーニング用クロス

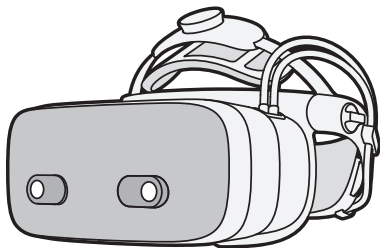


Varjo基準マーカー

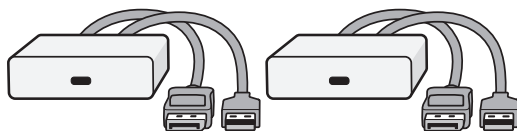


VR-3

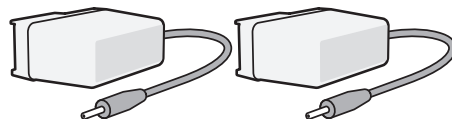
VRヘッドセット



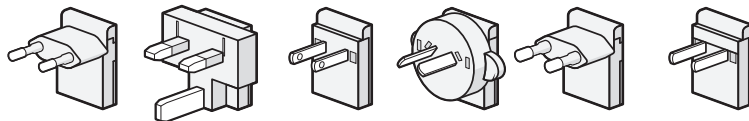
ヘッドセット用アダプター2個



電源ユニット2台



電源プラグ6個、各2個



ヨーロッパ

英国

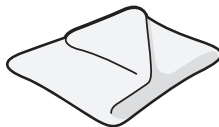
米国

オーストラリア

韓国

中華人民共和国

クリーニング用クロス

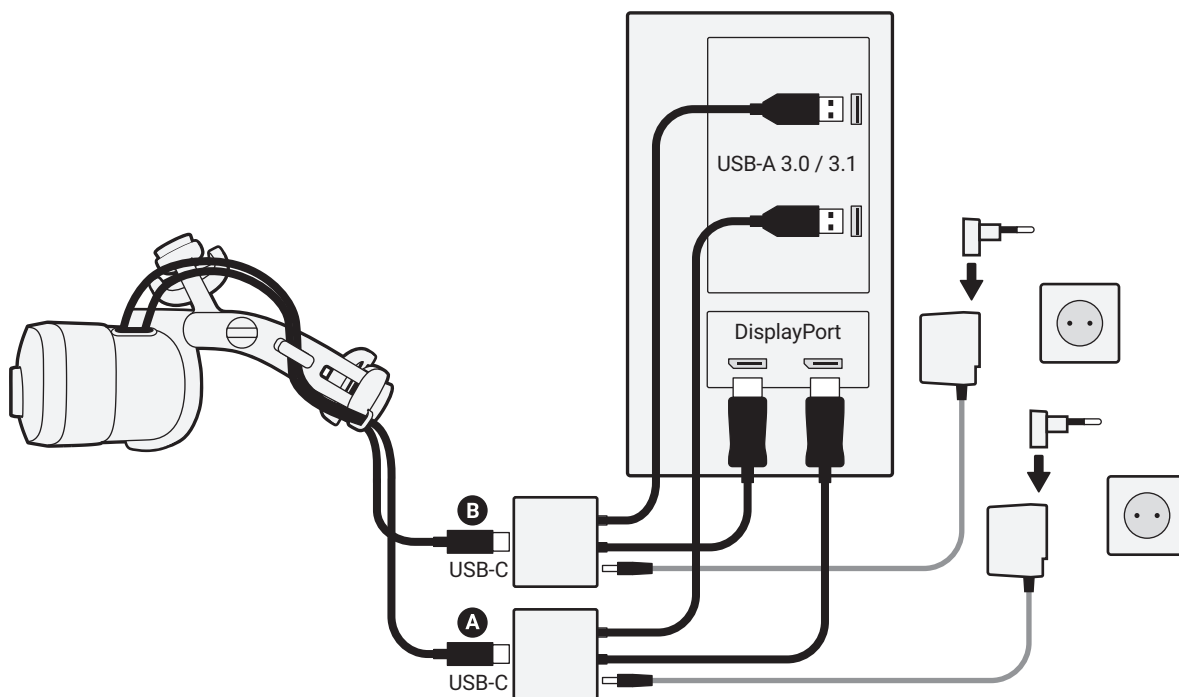


ヘッドセットを接続する

VarjoヘッドセットはWindows搭載PCに対応しています。

1. **A** および **B** :各ヘッドセットケーブルをヘッドセット用アダプターに接続します。
2. ヘッドセットアダプター:各アダプターをグラフィックスカードのDisplayPortポートに接続し、マザーボードのUSB-A 3.0 / 3.1ポートに接続します。

システム要件の詳細については、varjo.com/start/system をご確認ください。

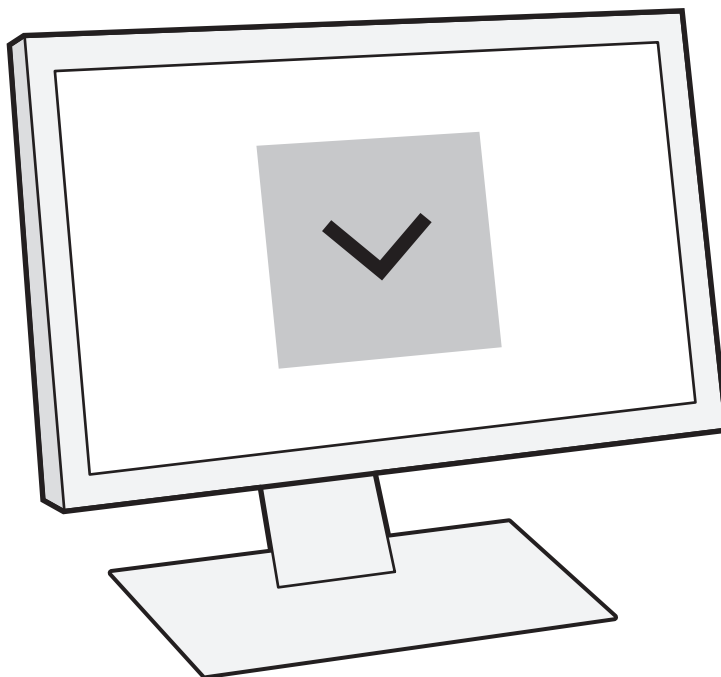


Varjo Baseをダウンロードする

Varjo Baseは、Windows搭載PCでヘッドセットを使用するためのソフトウェアです。
まずはVarjo Baseをダウンロードします。

1. **varjo.com /start** にアクセスします。
2. Varjoアカウントを作成します。
3. Varjo Baseをダウンロードして起動します。
4. セットアップの指示に従ってください。

ヘッドセットを使用するには、有効なサブスクリプションが必要です。
詳細は **varjo.com/subscriptions** をご確認ください。



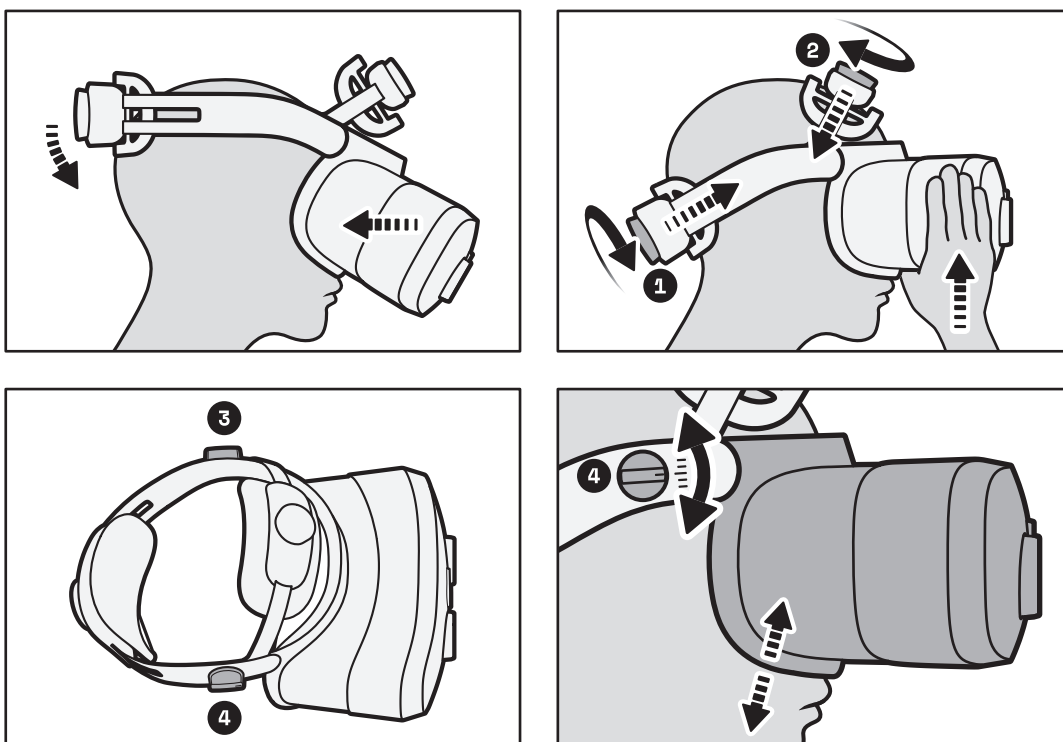
ヘッドセットの装着

ヘッドセットを装着するには、ヘッドセットの前面を顔につけて、ヘッドバンドを引っ張って後頭部へ回します。ほとんどの単焦点メガネはヘッドセット使用中でも着用できます。

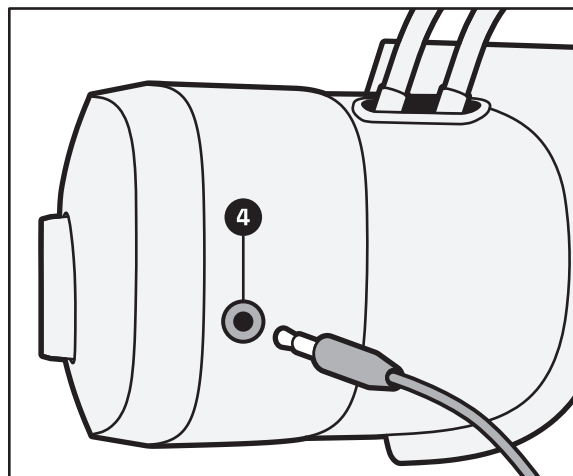
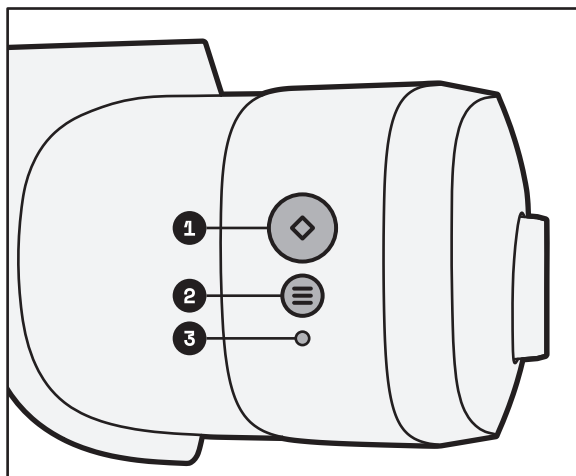
ヘッドセットを装着し、フィット感と快適さを調整します。

- ①：背面調整ホイールを回して、ヘッドバンドを締めます。
- ②：前面調整ホイールを回してヘッドセットを上または下に動かします。調整中はヘッドセット本体を片手で支えてください。
- ③ および④：サイドノブを使用して、ヘッドセットが顔周囲にフィットするように調整します。

ヘッドセットは、装着感に問題がなく、ヘッドセット内の画像が鮮明になっていれば、正しく調整されています。



ヘッドセットの使用法



① アクションボタン: アプリケーションを操作します

② メニューボタン: メニューを開きます

③ LEDステータスランプ

④ ヘッドフォンコネクター

| LEDパターン | ヘッドセットのステータス |
|-----------|----------------------|
| 白 (点滅) | 起動 |
| 緑 (点灯) | 正常に動作中 |
| 緑色 (パルス) | アイドル状態 |
| 緑 (点滅) | シャットダウン中 |
| オレンジ (点灯) | Varjo Baseが実行されていません |

ヘッドセットのお手入れ

特に他の人と共有する場合は、定期的にヘッドセットを清掃してください。

ヘッドセットレンズ：光学レンズワイプまたはマイクロファイバーレンズクロスで優しく汚れを拭き取ります。

ヘッドセット本体、クッション、鼻に当たる部分、レンズ周囲：研磨剤を含まない抗菌性のあるワイプで拭き掃除をします。

追加のクッションはVarjo Storeで購入できます。

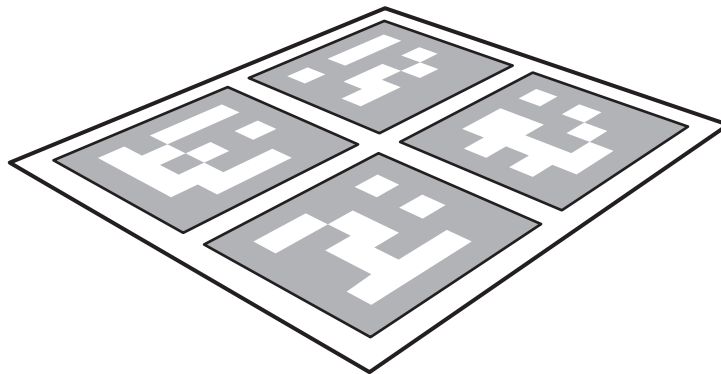


Varjo基準マーカの使用

Varjo基準マーカを使って、Varjoインサイドアウトトラッキング機能の精度を向上させます。

Varjo XR-3複合現実ヘッドセットでは、Varjoインサイドアウトトラッキング機能が利用可能です。

詳細については、[varjo.com/start/get-to-know-your-headset](https://www.varjo.com/start/get-to-know-your-headset)をご確認ください。



製品と安全性に関する情報

用途

本製品は成人が屋内で使用することを想定しています。ヘッドセットが意図された通りに使用されないと、誤動作する場合があります。

危険性の高い使用法

Varjoソフトウェアおよび/または製品は、航空、産業、商業、軍事、医療機器やシステムを含むあらゆる機器やシステムの制御用にデザイン、設計、認証されており、このような使用や製品の誤作動は、人物や動物に対する死亡または深刻な身体損傷の原因になることがあり、重度の身体障害、または深刻な環境被害につながる（「危険性の高い使用法」）可能性があります。Varjoは、本ソフトウェアまたは本製品を危険性の高い用途に使用しないことを強くお勧めします。危険性の高い用途にソフトウェアおよび製品を使用することを決定した場合、お客様は自己の責任において、すべての責任を負い、そのような危険性の高い使い方によるリスクや損傷およびハイリスクの使用によるソフトウェアや製品の故障を最小限に抑えるための合理的な手段を講じることに同意するものとします。

製品タイプラベル

ヘッドセットのモデル名とシリアル番号は、ヘッドバンドの背面サポートについているタイプラベルに印刷されています。

健康と安全に関する警告

人身傷害、不快感、または物的損害の危険性を低減するため、ヘッドセットを使用する前に以下の警告をよくお読みください。

ヘッドセットを使用する前に

快適な複合現実体験や仮想現実体験には、運動感覚やバランス感覚が損なわれていないことが必要です。病気、疲労時、眠気を催している、アルコールや薬物の影響下にある場合、二日酔いの場合、消化器系の疾患がある場合、感情的なストレスや不安を感じている場合、風邪、インフルエンザ、片頭痛、頭痛に悩まされている場合、または一般的に体調が優れない場合は、ヘッドセットを使用しないでください。視力の問題や運動障害がある場合、妊娠中や高齢者である場合、心臓病やその他の重篤な病状がある場合、発作、片頭痛、精神疾患を患っている場合は、ヘッドセットを使用する前に医師にご相談ください。

安全な環境

Varjoヘッドセットは注意をそらし、実際の環境を見ることが困難になる可能性がある、没入型の複合現実体験または仮想現実体験を生成します。

- 仮想のオブジェクトは、実際には存在せず、その大きさや場所も現実のものではないことを忘れないでください。仮想オブジェクトの上に座ったり立ったり、支えにしたりしようとしないでください。仮想オブジェクトの背後にあるかもしれない現実の物体にご注意ください。
- 歩行中、自転車や自動車の運転中など、注意が必要な状況下では、ヘッドセットを絶対に使用しないでください。移動中の車両内ではヘッドセットを使用しないでください。
- ヘッドセットを使用しているときには、エリアに入ってくる人を認識しない場合があります。
- ヘッドセットを使用する前に、障害物や危険物、人、家具など、自由移動の妨げになる可能性のある物を移動させてください。ヘッドセットを使用しながら腕を伸ばせるように、頭上や周囲に十分なスペースがあるかどうかを確認しておきましょう。
- 壁、階段、バルコニー、窓、開いている出入り口、低い天井、天井ファン、照明器具、壊れやすいもの、裸火、熱源や、ぶつかったり倒れたりする可能性のある物の近くでヘッドセットを使用しないでください。
- ヘッドセットを使用中に歩いたり、つまずいたり、引っ張ったりしないように、ケーブルと電源コードの位置にご注意ください。ケーブルやコードをグイト引っ張ったり、結び目をつけたり、曲げたりしないでください。
- ヘッドセットを使用しているときに、鋭利な物や危険な物を扱わないでください。

不快感

ヘッドセットを使用する場合、ドライアイ、眼精疲労、目や周辺の筋肉の痙攣、不随意運動、視界の変化、ぼやけや複視、その他の視覚異常、めまい、ふらつき、見当識障害、頭や目の不快感や痛み、頭痛、平衡障害、視覚と運動の協調性障害、過度の発汗、唾液分泌量の増加、吐き気、疲労、意識の喪失、または発作などの乗り物酔いの症状を経験する場合があります。

ヘッドセットの使用を開始したら、最初のセッションは短くして、定期的に休憩を取りましょう。不快感を感じた場合は、ヘッドセットの使用を中止して、症状が治まってからのみ継続するようにしてください。症状が完全に回復するまでは、運転、機械の操作、その他視覚的・身体的に負担のかかる行為をしないでください。仮想物体がはっきりと快適に見ることができない場合は、医師に相談することを検討してください。

過剰使用

ヘッドセットを使用する際には、定期的に休憩を取るようにしてください。長時間使用すると、視覚情報と体の動きの協調やバランスに影響を与える可能性があります、その他の悪影響を及ぼす可能性があります。

反復運動過多損傷

ヘッドセットは楽な姿勢でご使用ください。ヘッドセットを握ったり、ヘッドセットのボタンを押したりするときに、過度の力を使わないでください。チクチクする、しびれる、ヒリヒリする、凝る、ズキズキする、またはその他の不快感がある場合は、ヘッドセットの使用を中止し、症状が完全に回復するまで休んでください。このような症状が続く場合は、医師にご相談ください。

⚠ 医療機器への電磁干渉

ヘッドセットは電波を放出することがあり、心臓ペースメーカー、補聴器、除細動器など、近くの電子機器の動作に異常をきたす恐れがあります。ペースメーカーやその他の体内埋め込み型医療機器を使用している場合は、事前に医師または医療機器のメーカーに相談することなくヘッドセットを使用しないでください。ヘッドセットと医療機器間の安全な距離を維持し、ヘッドセットが医療機器に干渉している疑いがある場合は、ヘッドセットの使用を中止してください。

⚠ 聴力損失

大きな音にさらされると、聴覚障害の原因になることがあります。ヘッドセットと同時にヘッドフォンを使用する場合は、小さい音量から始め、必要に応じて徐々に音量を上げましょう。音量を上げすぎないようにしてください。

⚠ 発作

発作の既往歴がない場合でも、一部の方は、閃光、光のパターン、またはアイトラッカーの赤外線光源への暴露によって引き起こされる重度のめまい、失神、てんかん発作、または意識喪失を経験することがあります。いずれかの症状が出た場合は、ヘッドセットの使用を直ちに中止し、医師にご相談ください。これらの症状の既往歴がある場合は、ヘッドセットを使用する前に医師にご相談ください。発作の危険を減らすためにも、疲れている場合はヘッドセットを使用しないでください。

⚠ 目の保護はありません

Varjoのヘッドセットは、衝撃、破片、化学物質、紫外線、その他の有害な光、粒子、放射物や物理的ハザードから目を保護するものではありません。

⚠ 感電

ヘッドセットまたは電源ユニットを分解したり、開いたり、修理、または改造しないでください。これにより、感電やその他の障害が発生し、ヘッドセットや電源ユニットが損傷する可能性があります。プラグ接続機器の場合、機器の近傍にコンセントがありかつ、そのコンセントには容易にアクセスできなければなりません。ヘッドセットは、販売時の箱に含まれている電源ユニット(Adapter Technology Co., Ltd. (ATS 036 T -W 120 V (レベル VII))) 入力ユニバーサル100~240V /50~60Hz、1A、出力+12V /0 ~3A およびヘッドセット用アダプターのみをご使用ください。他の電源ユニットを使用すると危険な場合があります。

クラス1レーザー製品

(Varjo XR-3複合現実ヘッドセットのみ適用)

⚠ デバイスの損傷または破損

部品が壊れたり破損していたり、付属のケーブルが破損していたり、ワイヤーが露出していたりする場合は、ヘッドセットを使用しないでください。ヘッドセットのいかなる部分も自分で修理しようとししないでください。修理は正規サービス業者またはVarjoのみで行ってください。

⚠ 感染予防

伝染性疾患の感染リスクを避けるために、特に目、皮膚、または頭皮に感染症や疾病のある人とヘッドセットを共有しないでください。

⚠ 皮膚への刺激性

腫れ、かゆみ、その他身体に何らかの異常を感じた場合は、ヘッドセットの使用を中止してください。症状が続く場合は、医師に相談してください。

安全性に関する情報

自分自身や他人への傷害、またはヘッドセットの損傷を防ぐために、ヘッドセットを使用する前に、この安全性に関する情報をお読みください。

ヘッドセットの装着

初めてヘッドセットを装着するときは、ヘッドセットを頭の上に正しく配置する方法についての指示に従ってください。ヘッドセットは、装着感に問題がなく、ヘッドセット内の画像が鮮明になっていれば、正しく調整されています。頭に痛みや圧迫感がなく、クッションが顔に快適に感じられるはずです。

ヘッドセットを装着すると、瞳孔間距離に基づいて自動的にレンズが調整されます。これは初期設定ではオンになっています。設定はオンしておくことをお勧めします。眼鏡や視力低下を経験されている方など、自動調整がうまくいかない場合は、この設定をオフにしてください。自動調整をオフにすると、ヘッドセットを使用する際に違和感を覚えることがあります。

照明

ヘッドセットのカメラから高品質なパフォーマンスを得るために、照明の整った環境でヘッドセットを使用してください。反射面が位置トラッキングの妨げになる場合があるのでご注意ください。

アフターケアとメンテナンス

ヘッドセットは丁寧に取り扱い、清潔でほこりのない場所に保管してください。

日光および外部の光源

直射日光や強い紫外線の当たる場所にヘッドセットを放置しないでください。直射日光に当たると、光学機能やディスプレイを損傷する可能性があります。レンズにレーザーや外部光源を当てないでください。

❗ 損傷

- カメラレンズのキャリブレーションに影響を与える可能性があるため、ヘッドセットを落としたり曲げたり、他の物にぶつけたりしないでください。
- カメラレンズに傷をつけないようにしてください。
- ヘッドセットを持ち上げる際は、ヘッドセット本体またはヘッドバンドを持ってください。
- クッションやケーブルを持ってヘッドセットを持ち上げないようにしてください。
- ケーブルを踏まないようにしてください。

❗ サービスを必要とする破損

ヘッドセットのサービスについては、有資格の人物のみに依頼してください。次の場合は、認証サービス施設にお問い合わせください。

- ヘッドセットが濡れた、または落下した場合。
- ヘッドセットが衝撃を受けた場合や破損した場合。
- ヘッドセットがオーバーヒートした場合。
- 取扱説明書に従っても、ヘッドセットが正常に作動しない場合。

クリーニング

クリーニングを行う前に、ヘッドセットの電源を切ってください。ヘッドセットは表面を傷つけない抗菌ワイプでクリーニングしてください。石鹼や刺激が強い化学薬品、洗浄剤、液体クレンザー、スプレーなどは使用しないでください。ヘッドセットのクリーニングには絶対に水を使わないでください。乾いた光学レンズ用マイクロファイバー布でヘッドセットのレンズとフロントプレートをそっと拭いてください。液体や化学洗剤でレンズをクリーニングしないでください。表面を傷つけない抗菌ワイプでクッションをクリーニングしてください。

機器の温度

長時間使用すると、ヘッドセットが熱を持つことはよくあることです。特に、正面カメラや換気面が熱くなることがあります。触ると熱いヘッドセットに長時間皮膚が接触すると、皮膚の不快感や赤み、低温やけどが発生する可能性があります。ヘッドセットが熱いと感じたり、不快に温まっている場合は、ヘッドセットの使用を中止して冷めるのを待ってください。

付属品

認証されていない、または互換性のない付属品やソフトウェアと共にヘッ

ドセットを使用しないでください。認証されていない付属品やソフトウェアを使用すると、性能面で問題が生じたり、怪我や破損の原因となることがあります。互換性のある付属品やソフトウェアについては、varjo.com/support をご確認ください。

動作環境と保管環境

使用場所

ヘッドセットは換気が十分な場所でのみ使用してください。

- ヘッドセットを覆わないでください。
- ヘッドセット側面の換気孔はいかなる物でも覆わないようにしてください。
- レンズに傷をつけるような物の近くにヘッドセットを置かないでください。
- ヘッドセットを火や煙を発生させる製品にさらさないでください。
- ヘッドセットを熱源、高温になる場所または極端な温度の場所に置かないでください。
- ヘッドセットを水や液体の近くで使用しないでください。
- 温度が大幅に変化した場合、ヘッドセットは使用しないでください。ヘッドセットを温度や湿度が大幅に異なる環境に移動させた場合、ヘッドセットに結露が生じることがあります。ヘッドセットをご使用になる前に、湿気がなくなるまでお待ちください。

注：ヘッドセットを低温環境から温かい環境に移した場合や、その逆を行った場合、電源を入れる前にヘッドセットを室温に慣らしてください。ヘッドセットは室温が10°C～27°C (50°～80°F) の環境でご使用ください。ヘッドセットを保管する際は、販売時の箱に入れて、0°C～40°C (32°F～104°F) の場所で保管し、意図しない破損や曝露を最低限に抑えてください。

無線周波数

| 部品 | 評価 | 周波数 | 最大出力電力 |
|--------|--------|----------------|--------|
| ヘッドセット | 12V、3A | 2.402～2.48 GHz | 1 mW |

リサイクル

2003年2月13日に施行された「電気電子機器廃棄物に関する欧州議会・理事会指令2012/19/EU」（2012年7月4日改正）では、廃電気電子機器の回収とリサイクルの扱いが大きく変わりました。地域の規制を確認し、電子製品を適正に廃棄するようにしましょう。



ヘッドセットやバッテリー、読むための資料、梱包材に記載された車輪付きゴミ箱にバツがついたマークは、すべての使用済み電気・電子製品、バッテリー、および使用済み梱包材は、耐用年数が終了した時点で分別回収が必要であることを示します。これらの製品は、分別されていない自治体の廃棄物として処理しないで、リサイクルするようにしましょう。最寄りのリサイクルポイントに関する情報については、お住まいの地域の廃棄物を管轄する行政窓口にお問い合わせください。

CE 欧州連合の通知

VarjoはHS-5およびHS-6ヘッドセットが指令2014/53/EUに準拠していることをここに宣言します。EU適合宣言の全文は、次のインターネットアドレスでご覧いただけます。varjo.com/compliance

注:本装置は、基準Cの制限に適合していることがテストで確認されています。

カメラ組立に+/- 500V以上の静電気放電が直接発生すると、機能が低下する可能性があります。完全な機能を回復するには、カメラシステムを再起動する必要がある場合があります。

FC ユーザへの FCC および ISED 情報

注:本機器はテストされ、FCC規則第15部に従いクラスAデジタル装置の規制に適合することが確認されています。これらの制限は、装置を商用環境で使用する場合に、有害な干渉から適切に保護するために設けられています。本装置は無線周波エネルギーを発生・使用し、また放射する可能性があります。取扱説明書に従って設置・使用しない場合、無線通信に有害な干渉を引き起こすことがあります。住宅地で本装置を操作すると有害な干渉を引き起こす可能性があります、この場合はユーザーが自費で干渉を修正する必要があります。

このクラス A デジタル装置はカナダ標準の ICES -003 に準拠しています。



米国カリフォルニア州法プロポジション65

警告:癌- www.P65Warnings.ca.gov.

FCC および ISED 遵守に関する表明

この装置は FCC 規則の第 15 部に準拠し、カナダのイノベーション・科学・経済開発省 (ISED) の RSS -247 に準拠しています。機器の動作には次の2つの条件が適用されます。

- (1) 本機器が有害な干渉を生じさせない、
- (2) 本機器は望まない作動の原因となる干渉を含む干渉を受信しななければならない。

コンプライアンス担当当事者が明確に承認していない変更または改造を行った場合、機器を使用する権限が無効になることがあります。

FCC および ISED 放射線曝露に関する表明

本機器は、管理されていない環境に関して設定されたFCCおよびカナダ放射線曝露規制に適合しています。この送信機は、その他のアンテナや送信機と同じ場所に設置したり、一緒に操作してはなりません。

RoHS準拠

本ヘッドセットは、「電気・電子機器における特定有害物質の使用制限に関する2011年6月8日付け欧州議会・理事会指令2011/65/EU」およびその改正指令に準拠しています。

Varjo限定事業保証

Varjo製品は事業における使用を目的としており、一般消費者に販売することを目的としていません。本限定事業保証（「限定保証」）は、お客様に特定の法的権利を付与するものです。お客様は、州や国によって異なるその他の法的権利を有する場合があります。

1. 定義

本限定保証には次の定義が適用されます。

- 「Varjo製品」とは、正規販売店またはVarjo（「正規販売店」）から最初に製品を購入した際に梱包されていたVarjoヘッドセットと付属品を指します。
- 「お客様」とは、正規販売店からVarjo製品を購入した当初のビジネスユーザーを指します。
- 「保証期間」は、正規販売店からVarjo製品を購入した日から12か月です。
- 「通常の使用条件」とは、ユーザーマニュアルに従った通常の業務使用を意味します。
- 「ユーザーマニュアル」とは、同梱またはVarjoがオンラインで公開する、使用に関する指示や安全ガイダンスなどの資料を意味します。

2. 保証範囲

Varjoは保証期間中、お客様に対してのみ、Varjo製品が通常の使用条件下でVarjoの技術仕様に従い、適切に機能することを保証します。本限定保証は、Varjo製品の購入時に同梱されていなかった、Varjo製品の使用に必要なソフトウェアやその他の製品には適用されません。そのような製品には、Varjo製品との併用を意図されている、あるいは併用すると記載されている場合でも、それ自体の利用規約またはその他の条件が適用されます。

本限定保証は、お客様が新しいVarjo製品を正規小売店から購入した場合およびVarjo製品が元の密封された梱包状態で販売された場合にのみ有効です。法により制限が禁止されている場合を除き、本限定保証を第三者に譲渡または移譲することはできません。

保証期間中にVarjo製品を返品し、本限定保証の条件を満たす場合、Varjoまたはそのサービスパートナーは、独自の裁量により、当該の製品を修理または交換します。

修理または交換には、法律で禁止されている場合を除き、同等の機能を有する改修済みのVarjo製品および/または改修済パーツが使用される場合

があります。Varjo製品を交換する場合、Varjoは同じモデルと交換するか、または同じモデルがない場合は元のモデルに最も近いモデルと交換することができます。Varjoまたはそのサービスパートナーは、自らの費用負担で、修理または交換されたVarjo製品をお客様に返送します。お客様がVarjoに送付し、Varjoによって交換されるVarjo製品は、Varjoの所有物となります。

VarjoがVarjo製品を修理または交換する場合、修理または交換されたVarjo製品は、本来の保証期間の残存期間、あるいは修理日または交換日から3か月間の内、いずれか長い方の期間、引き続き保証されるものとし、ます。

Varjo製品の修理または交換は、お客様の唯一の法的救済であり、Varjo製品の不具合から生じた申し立てまたは損失に対するVarjoの唯一の義務となります。当社は単独の裁量により、記載されている手段のいずれも欠陥または誤作動を修正するのに適切ではないと判断した場合、お客様が製品を購入するために支払った金額を返金することがあります。

この限定保証は、Varjo製品に関してVarjoが提供する最終的、完全かつ排他的な保証であり、他の個人または団体（正規販売店を含む）にはVarjoに代わりその他の保証や主張を行う権限はありません。この限定保証で提供される明示的限定保証を除き、Varjoは商品性の黙示的保証や特定の目的への適合性を含む、その他の明示的・黙示的な保証を放棄します。本限定保証に別段の定めがある場合を除き、すべてのVarjo製品は「現状のまま」および「数々の欠点にもかかわらず」提供されます。黙示的保証を放棄できない場合、その保証期間は保証期間に限定されます。お客様に適用される法律で、黙示的保証期間に制限が設けられない場合、この限定事項は適用されないことがあります。

お客様がVarjo製品の本来の購入者でない場合、本限定保証はお客様に適用されません。保証期間が終了した場合、Varjo製品が本限定保証の条件を満たさない場合、または第5条に従いお客様が保証請求を行わない場合、本限定保証は適用されません。本限定保証が適用されない場合、Varjoはお客様に対して保証期間外のサービスを有料で提供する場合があります。お客様はVarjo製品の修理または交換に関する費用を負担しなければならないことがあります。

3. サービスを受けるには？

Varjo製品に問題が発生した場合は、[varjo.com/support](https://www.varjo.com/support) をご覧になり、役立つサービスや連絡先情報を入手し、クレームフォームを送信し、保証サービスを受けてください。お客様がVarjo製品を修理・点検のために送付する必要がある場合は、その方法をご説明いたします。お客様はVarjo製品を当社に送付する際の送料を支払う必要がある場合があります。Varjo製品が当社に到着した後、当社は本限定保証の対象となる欠陥または不具合があるかどうかを判断します。本限定保証の対象となる欠陥または不具合が見つかった場合は、当社はVarjo製品を修理または交換し、通常の使用下におけるVarjoの技術仕様十分に準拠するVarjo製品をお客様に提供します。また、当社は修理済みのVarjo製品、または交換用のVarjo製品（該当する場合）を当社の費用でお客様に送付します。当社は元のVarjo製品をお客様に返却することはできません。お客様が有効な購入証明書を添付せず

にVarjo製品を当社に送付した場合、当社は、前払いを条件としてお客様の自己負担でVarjo製品をお客様に返送します。当該費用が前払いされない場合、当社はVarjo製品を30日間保管し、お客様がお引き取りにならない場合は廃棄します。

4. 保証対象でないものは何ですか？

以下については本限定保証の対象外となり、Varjoは責任を負いません：(i) 中古または再販されたVarjo製品、(ii) 正規小売店以外で購入されたVarjo製品、(iii) ソフトウェア（Varjo製品のソフトウェアやVarjoが提供するPCソフトウェアを含む）。

さらに、次に起因するVarjo製品の破損またはVarjo製品の損害に関しては本限定保証の対象外となり、Varjoは責任を負いません：(i) 事故（例えば、偶発的な物理的衝撃、液体、食品またはその他の汚染物質への暴露など）または盗難、(ii) 通常の使用条件に従わない使用やその他の誤用（配慮の欠如、乱用、改造を含む）、(iii) Varjoが販売またはライセンス付与していない不適切な製品との使用、(iv) 不十分な換気での使用、(v) 子どもによる使用、(vi) 当社のセキュリティメカニズムの迂回、(vii) リバースエンジニアリング、(viii) Varjo製品に取り込まれたウイルスまたはその他のソフトウェア問題に起因する不具合または損傷、(ix) Varjo製品が使用される場所で適用される法規制や条例に違反した形でのVarjo製品の使用、(x) 未承認の修理による不具合または損傷、(xi) 雷、洪水、竜巻、地震、ハリケーンを含む天災、および/または (xii) 外見のダメージ（傷など）。

加えて、通常の使用による損耗、消耗部品の欠乏によるVarjo製品の破損や損害については、本限定保証の対象外となり、Varjoは責任を負いません。

最後に、本限定保証には、Varjo製品にはエラーが発生しないという特定の保証は含まれません。また、アップタイムや継続的な利用可用性に関しては、ソフトウェアやオンラインアカウントのデータセキュリティ機能、ソフトウェア、ファームウェアまたはオンラインライトが中断されることなく、またエラーなく動作するという特定の保証は含まれません。本限定保証は、Varjo製品のラベルが取り除かれている、破損している、変更が加えられている、もしくは改造されている状態で返品された場合（コンポーネントまたは外部カバーが許可なく取り外されている場合を含む）、無効になります。[データの紛失は本限定保証の対象になりません。お客様がデータを保持したい場合、電子的または物理的に定期的にバックアップをとることはお客様の責任になります。データの復元、削除、およびインストールに関連する損害または費用は、本限定保証の対象にはなりません。]

5. 責任制限

適用される法で許容される最大限の範囲において、Varjoおよびそのサプライヤーは、間接的、偶発的、結果的、懲罰的、または特別な損害（利益の喪失や商業的な損失、事業の中断、事業情報の喪失、データ喪失、プライバシーの喪失、機密性の喪失、交換商品や代替装置の交換費用、VARJO製品の交換・修理中の使用機会喪失などを含む）について一切の責任を負わないものとします。適用される法で許容される最大限の範囲において、本限

定保証に基づくVarjoおよびそのサプライヤーの責任は全て、VARJO製品に対してお客様が実際に支払った金額に限定されるものとします。これらの除外は、救済がその基本的な目的を果たせない場合、あるいは、契約、不法行為（過失を含む）、厳格な製品責任またはその他の訴因または法律上もしくは衡平法上の如何を問わず、訴訟方式に関係なく、本限定保証に起因する、または関連する申し立てに関して、これらの損害の可能性についてVarjoが知らされていた場合でも適用されます。一部の州および国では、偶発的または結果的な損害の除外または制限が認められていないため、本限定保証の制限または除外が適用されないことがあります。

Varjoの従業員、代表者、その関連会社、または第三者は、限定事業保証またはこれらの規約の一部を変更、拡大、または追加する権限を持ちません。

6. 一般規定

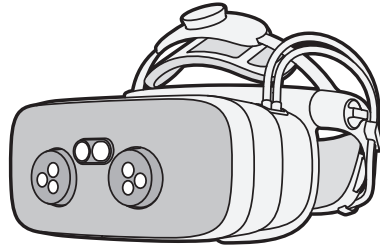
6.1 本限定保証には、法律規定の選択を除き、フィンランド法が適用されません。国際物品売買契約に関する国際連合条約は適用されません。本限定保証に起因する争議、論議または申立は、フィンランド商工会議所の調停規則に従い、最終的に調停により解決されます。調停地はヘルシンキとします。調停に使用される言語は英語です。

6.2 本限定保証の条項がいずれかの裁判管轄の適用法において違法、無効、執行不可能とされた場合であっても、これにより本限定保証のその他の条項の適法性、有効性、執行可能性は影響を受けないものとします。

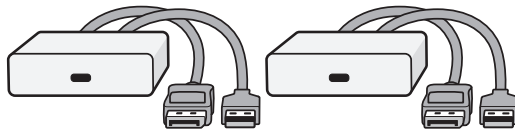
제품 구성

XR-3

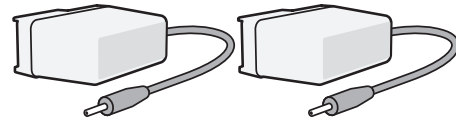
MR(혼합 현실) 헤드셋



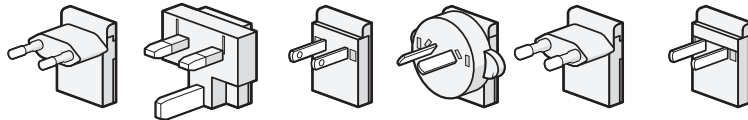
헤드셋 어댑터 2개



전원 공급 장치 2개



전원 플러그 6개, 각 2개



유로

영국

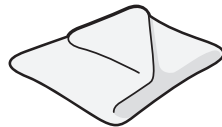
미국

호주

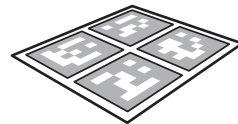
한국

중국

청소 천

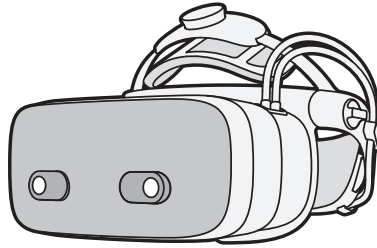


Varjo 참조 마커

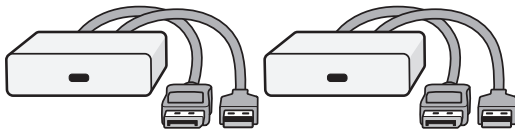


VR-3

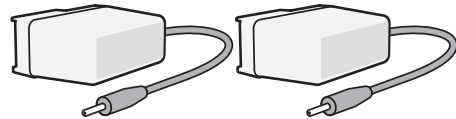
VR(가상 현실) 헤드셋



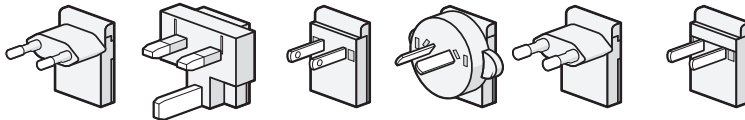
헤드셋 어댑터 2개



전원 공급 장치 2개



전원 플러그 6개, 각 2개



유로

영국

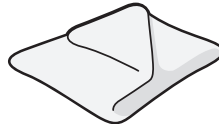
미국

호주

한국

중국

청소 천

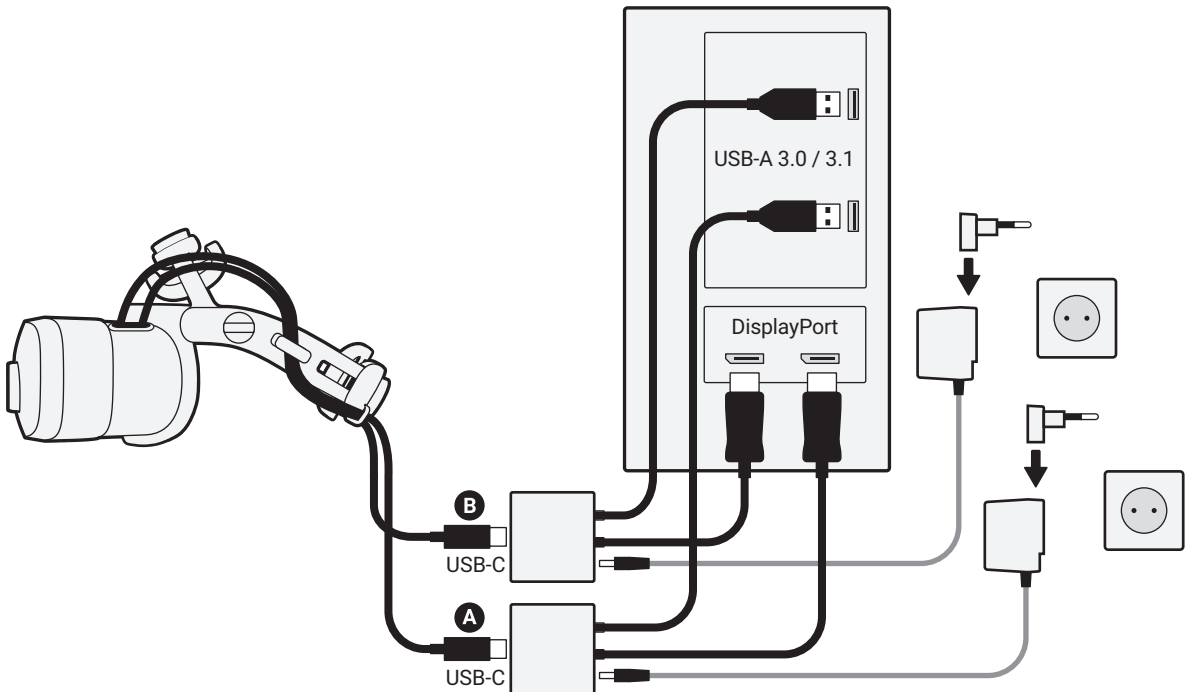


헤드셋 연결

Varjo 헤드셋은 Windows 컴퓨터와 호환됩니다.

1. **A** 및 **B**: 각 헤드셋 케이블을 헤드셋 어댑터에 연결합니다.
2. 헤드셋 어댑터: 각 어댑터를 그래픽 카드의 DisplayPort 포트에 연결한 다음, 마더보드의 USB-A 3.0/3.1 포트에 연결합니다.

자세한 시스템 요구 사항은 [varjo.com/start/system](https://www.varjo.com/start/system)을 참고하십시오.

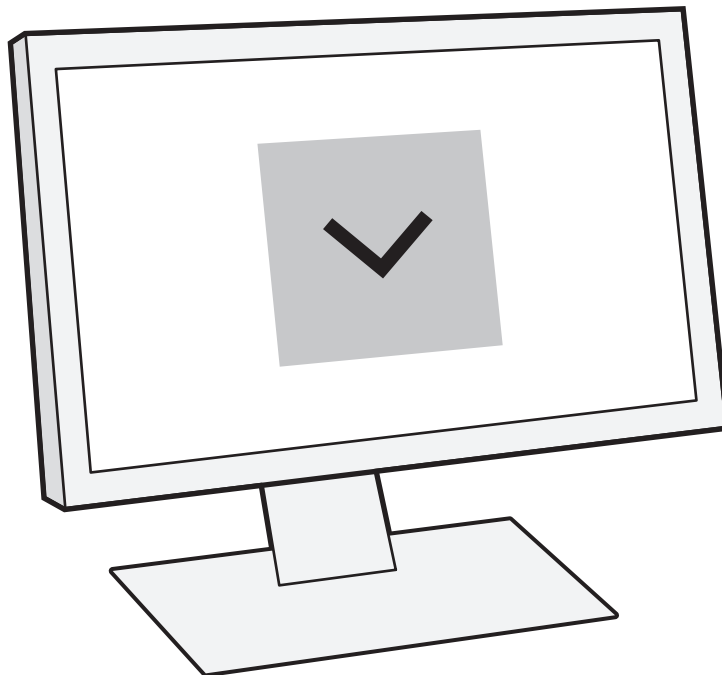


Varjo Base 다운로드

Varjo Base는 Windows 컴퓨터에서 헤드셋을 실행하는 데 사용하는 소프트웨어입니다. 시작하려면 Varjo Base를 다운로드하십시오.

1. [varjo.com/start](https://www.varjo.com/start)로 이동합니다.
2. Varjo 계정을 만듭니다.
3. Varjo Base를 다운로드하고 시작합니다.
4. 설정 지침에 따라 설정합니다.

헤드셋을 사용하려면 가입 유효 기간이 아직 남아 있어야 합니다. 자세한 내용은 [varjo.com/subscriptions](https://www.varjo.com/subscriptions)에서 참고하십시오.



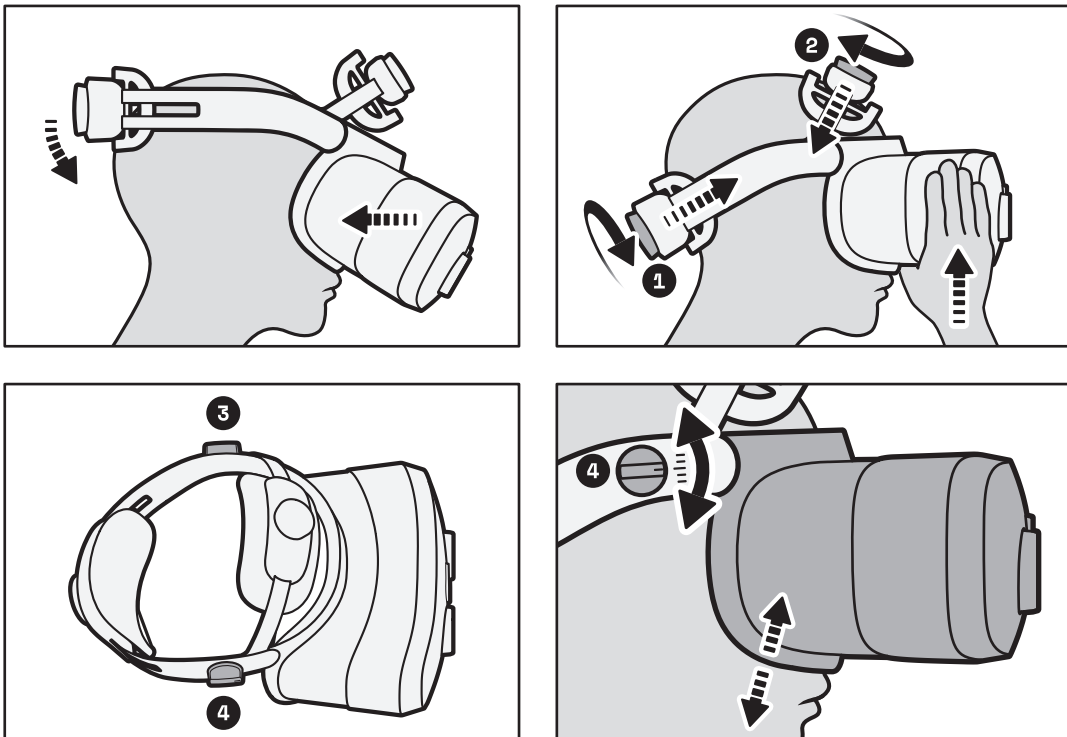
헤드셋 착용

헤드셋을 착용하려면 헤드셋의 앞면을 얼굴에 대고 헤드밴드를 머리 뒤쪽으로 잡아당깁니다. 대부분의 단초점 안경은 헤드셋을 사용하는 동안에도 그대로 쓸 수 있습니다.

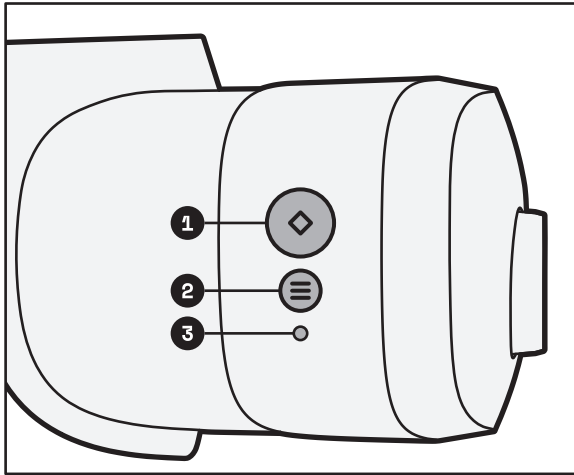
다음을 참고하여 얼굴에 꼭 맞고 편안하게 헤드셋을 조절하십시오.

- ① : 헤드밴드를 조하려면 뒤쪽 조절 휠을 돌립니다.
- ② : 헤드셋을 위나 아래로 옮기려면 앞쪽 조절 휠을 돌립니다. 조절 중에는 다른 손으로 헤드셋 몸체를 잡아주십시오.
- ③ 및 ④ : 헤드셋이 얼굴에 꼭 맞게 조절하려면 사이드 노브를 사용하면 됩니다.

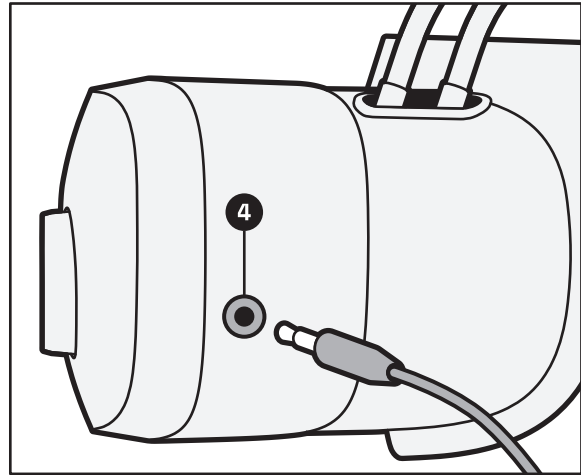
머리에 착용했을 때 편안하고, 헤드셋 내부 이미지가 선명하게 보이도록 헤드셋을 잘 조절하십시오.



헤드셋 사용



- ① 액션 버튼: 애플리케이션과 상호 작용
- ② 메뉴 버튼: 메뉴 열기
- ③ LED 상태등



- ④ 헤드폰 커넥터

| LED 패턴 | 헤드셋 상태 |
|-------------|----------------|
| 흰색(빠르게 깜박임) | 시작 중 |
| 녹색(켜짐) | 정상 작동 중 |
| 녹색(천천히 깜박임) | 유휴 상태 |
| 녹색(빠르게 깜박임) | 종료 중 |
| 주황색(켜짐) | Varjo Base 미작동 |

헤드셋 청소

헤드셋을 정기적으로 청소하고, 특히 다른 사람과 같이 쓸 때에는 좀 더 자주 청소해 주십시오.

헤드셋 렌즈: 광학 렌즈 청소포 또는 극세사 렌즈 청소 천으로 부드럽게 닦아주십시오.

헤드셋 몸체, 쿠션, 코받침, 렌즈 주변: 비마모성 향균 청소포로 닦아주십시오.

Varjo Store에서 추가 쿠션을 구입할 수 있습니다.

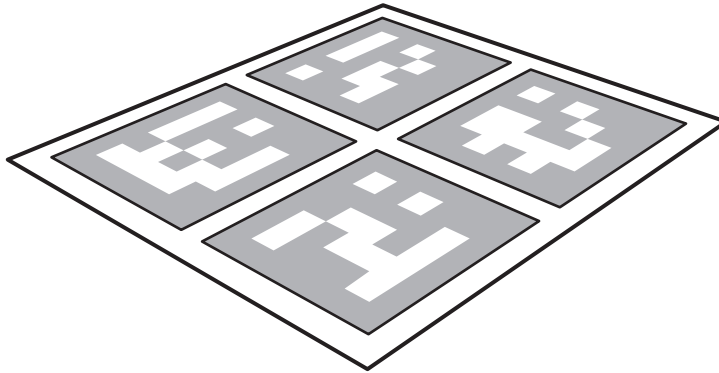


Varjo 참조 마커 사용

Varjo 참조 마커를 사용하여 Varjo 인사이드 아웃 트래킹의 정확도를 높일 수 있습니다.

Varjo 인사이드 아웃 트래킹은 Varjo XR-3 혼합 현실 헤드셋에 지원됩니다.

자세한 내용은 [varjo.com/start/get-to-know-your-headset](https://www.varjo.com/start/get-to-know-your-headset)을 참고하십시오.



제품 및 안전 정보

용도

이 헤드셋은 실내에서 성인만 이용할 수 있습니다. 그 밖에 다른 방식으로 헤드셋을 사용하는 경우 헤드셋이 오작동하거나 고장날 수 있습니다.

고위험 사용

Varjo 소프트웨어 및/또는 제품은 항공, 산업, 상업, 군대, 의학 장비 또는 시스템을 포함한 기타 장비 또는 시스템의 제어용으로 설계, 제조, 인증된 소프트웨어 및/또는 제품이 아닙니다. 이 소프트웨어 또는 제품을 해당 용도로 사용하거나 사용 중 오작동이 발생하는 경우 상당한 확률로 사람이나 동물의 사망 또는 심각한 부상, 또는 심각한 신체 상해나 환경적 손상("고위험 사용")으로 이어질 수 있습니다. VARJO는 어떠한 고위험 용도로든 본 소프트웨어 또는 제품을 사용하지 않기를 강력히 권고합니다. 그럼에도 고위험 용도로 소프트웨어 및/또는 제품을 사용하는 경우 모든 위험 부담과 책임은 귀하에게 있으며, 귀하는 고위험 사용 및/또는 고위험 사용 시의 소프트웨어 및/또는 제품의 고장으로 인한 모든 위험과 손해를 최소화하기 위한 합당한 주의를 다한다는 데 동의한 것으로 간주됩니다.

제품 유형 라벨

헤드셋의 모델명과 일련 번호는 헤드밴드 뒤쪽에 있는 유형 라벨에 인쇄됩니다.

건강 및 안전 경고

개인 부상, 불편함 또는 재산상 손해의 위험을 줄일 수 있도록 헤드셋을 사용하는 모든 사람이 헤드셋을 사용하기 전에 아래의 경고문을 주의깊게 읽어보도록 하십시오.

헤드셋 사용 전 주의사항

혼합 현실 또는 가상 현실을 편하게 경험하기 위해서는 운동감각 또는 균형감각에 이상이 없어야 합니다. 아프거나 피곤하거나 졸릴 때, 또는 알코올이나 약물의 효과가 있을 때, 숙취가 있을 때, 소화 문제가 있을 때, 감정적 스트레스나 불안 증세가 있을 때, 감기, 독감, 편두통, 두통이 있을 때, 컨디션이 정상이 아닐 때에는 상태가 악화될 수 있으므로 헤드셋을 사용하지 마십시오. 시력이나 운동능력이 떨어진 사람, 임신부나 노약자, 심장 질환이나 기타 심각한 질환이 있는 사람, 발작, 편두통, 기타 정신 질환이 있는 사람은 헤드셋 사용 전 반드시 의사와 상담하십시오.

안전 환경

Varjo 헤드셋은 몰입감이 상당한 혼합 환경 또는 가상 환경 경험을 제공합니다.

때문에 실제 주변 환경에 대한 집중력이 떨어지거나 주변을 인식하는 데 어려움이 있을 수 있습니다.

- 귀하가 보고 있는 모든 가상 물체는 실제 환경에는 존재하지 않으며, 그 크기와 위치 역시 실제가 아니라는 점에 주의하십시오. 가상 물체에 앉거나 이를 밟고 올라서려고 해서는 안 되며, 가상 물체를 지지대로 이용해서도 안 됩니다. 가상 물체 뒤에 존재할 수 있는 모든 실제 물체에 주의하십시오.
- 걷기, 자전거 타기, 운전 등 주의가 필요한 활동 중에는 절대 헤드셋을 사용하지 마십시오. 움직이는 차량 안에서 헤드셋을 사용하지 마십시오.
- 헤드셋을 사용하는 동안 근처로 다가오는 사람을 알아채지 못할 수도 있다는 점에 유의하십시오.
- 헤드셋을 사용하기 전에 주변에서 장애물과 위험 요소, 사람, 가구, 그 밖에 자유로운 움직임을 방해할 수 있는 모든 물건을 치우십시오. 또한, 헤드셋을 사용하는 동안 위쪽과 주변으로 팔을 쭉 뻗을 수 있을 만큼 충분한 공간이 있는지 확인하십시오.
- 벽, 계단, 발코니, 창문, 열린 출입문, 낮은 천장, 천장 환풍기, 조명기구, 깨진 물건, 개방형 화기, 열원, 그 밖에 부딪치거나 걸려 넘어질 수 있는 물건 근처에서 헤드셋을 사용하지 마십시오.
- 헤드셋을 사용하는 동안 케이블과 전선의 위치에 유의하여 밟거나 걸려 넘어지거나 걸려서 잡아당기는 일이 없도록 하십시오. 케이블 또는 전선을 갑자기 잡아당기거나 매듭짓거나 구부리지 마십시오.
- 헤드셋을 사용하는 동안 날카롭거나 그 밖에 위험한 물체를 취급하지 마십시오.

불편한 증상

간혹 헤드셋을 사용할 때 안구건조증, 눈의 피로, 눈 또는 근육 경련, 의도치 않은 몸의 움직임, 시력 저하, 흐릿한 시야, 사물 겹침, 기타 시각적 이상, 현기증, 가벼운 두통, 방향 감각 상실, 머리카나 눈의 불편함 또는 통증, 두통, 균형감각 이상, 손과 눈의 협응력 이상, 과도한 땀, 타액분비 증가, 메스꺼움, 피로감, 의식 상실, 발작, 기타 멀미 증상이 있을 수 있습니다.

헤드셋 사용 시 첫 세션은 짧게 가져가고, 사용 중 규칙적으로 휴식을 취하십시오. 불편한 증상이 느껴지면 헤드셋 사용을 중단하고, 증상이 사라진 이후에만 다시 사용하십시오. 어떠한 경우든 불편한 증상이 완전히 사라질 때까지는 운전, 기계 작동, 기타 시각적 또는 신체적 활동은 수행하지 마십시오. 가상 물체를 편안한 상태에서 뚜렷하게 볼 수 없다면 의사와 상담하십시오.

남용

헤드셋을 사용할 때에는 규칙적으로 휴식을 취하십시오. 너무 오래 사용하면 손과 눈의 협응력이나 균형감각에 이상이 생기거나 기타 부작용을 유발할 수 있습니다.

반복성 긴장 증후군

헤드셋을 편안한 자세로 사용하십시오. 헤드셋을 잡거나 헤드셋 버튼을 누를

때 과도한 힘을 쓰지 마십시오. 저림, 무감각, 화끈거림, 뻣뻣함, 육신거림, 기타 불편한 증상이 느껴지면 헤드셋 사용을 중단하고 증상이 완전히 사라질 때까지 휴식을 취하십시오. 증상이 계속 사라지지 않으면 의사와 상담하십시오.

! 의료기기 간섭

헤드셋에서 방출될 수 있는 전파는 근처에 있는 심장박동기, 보청기, 제세동기 등의 전자기기 작동을 방해할 수 있습니다. 심장박동기나 기타 몸에 이식된 의료기기가 있는 경우 먼저 의사와 상담하거나 의학장비의 제조사에 문의하여 사용이 가능하다는 확인을 받기 전까지 헤드셋을 사용하지 마십시오. 헤드셋과 의료기기 간의 안전 거리를 유지하고, 의료기기 간섭 징후가 있는 경우 헤드셋 사용을 중단하십시오.

! 청력 손실

큰 소리에 과도하게 노출되면 청력이 손상될 수 있습니다. 헤드셋과 헤드폰을 함께 사용할 때에는 먼저 낮은 볼륨으로 시작해 천천히 높이십시오. 볼륨을 너무 크게 높이지 마십시오.

! 발작

간혹 과거에 비슷한 증상을 겪은 경험이 없는 사람도 불빛 깜박임, 패턴, 눈 트래커의 적외선 노출로 인해 심각한 현기증, 실신, 간질성 발작, 일시적 기억 상실 증상을 경험할 수 있습니다. 이러한 증상이 생기면 즉시 헤드셋 사용을 중단하고 의사와 상담하십시오. 과거에 비슷한 증상을 겪은 경험이 있다면 헤드셋 사용 전에 먼저 의사와 상담하십시오. 발작 위험을 낮추려면 피곤할 때 헤드셋을 사용하지 마십시오.

! 눈 보호 장치 없음

Varjo 헤드셋에는 충격, 이물질, 화학물질, 자외선, 기타 해로운 빛, 미립자, 발사체, 그 밖에 물리적 위험으로부터 눈을 보호하는 장치가 갖추어져 있지 않습니다.

! 감전

감전이나 기타 위험한 상황이 발생하고, 헤드셋 또는 전원 공급 장치가 손상될 수 있으므로 헤드셋 또는 전원 공급 장치를 분해하거나 열거나 정비하거나 개조하지 마십시오. 플러그형 장비의 경우 콘센트는 장비 근처에 설치해 쉽게 연결할 수 있도록 해야 합니다. 헤드셋을 사용할 때에는 함께 동봉된 전원 공급 장치(Adapter Technology Co., Ltd. (ATS036T-W120V(Level VI)) INPUT Universal 100 ~ 240 Vac / 50 ~ 60 Hz, 1A, OUTPUT +12V / 0~3A) 및 헤드셋 어댑터만 사용하십시오. 다른 전원 공급 장치를 사용하면 위험할 수 있습니다.

1등급 레이저 제품

(Varjo XR-3 혼합 현실 헤드셋만 해당)

! 손상 또는 파손된 장치

파손 또는 손상된 부분이 있거나, 동봉된 케이블이 찢어졌거나 피복이 벗겨져 전선이 노출된 경우 헤드셋을 사용하지 마십시오. 헤드셋을 직접 수리하지 마십시오. 수리는 반드시 공식 서비스 센터 또는 Varjo에 의뢰해야 합니다.

! 전염

전염성 질환이 전염되는 일이 없도록 특히 눈, 피부, 두피에 감염이나 전염성 질환이 있는 사람과 헤드셋을 공유하지 마십시오.

! 피부 자극

부종, 가려움증 또는 기타 자극이 느껴지는 경우 헤드셋 사용을 중단하십시오. 중단 후에도 증상이 사라지지 않으면 의사와 상담하십시오.

안전 정보

사용자 본인과 다른 사람의 부상 또는 헤드셋 손상을 방지하기 위하여 헤드셋 사용 전에 이 안전 정보를 읽고 숙지하십시오.

헤드셋 착용

헤드셋을 처음 착용할 때에는 헤드셋을 머리에 올바르게 착용하는 방법을 참고해서 따르십시오. 머리에 착용했을 때 편안하고, 헤드셋 내부 이미지가 선명하게 보이도록 헤드셋을 잘 조절하십시오. 머리에 통증이나 압박감이 없어야 하며, 얼굴에 닿는 쿠션이 편하게 느껴져야 합니다.

헤드셋을 올바르게 착용하고 나면 렌즈는 동공 사이의 거리에 따라 자동으로 조절됩니다. 이 자동 조절 설정은 기본적으로 켜져 있습니다. 이 설정을 켜진 채로 유지하는 것이 좋습니다. 안경이나 기타 시력을 저하시키는 요인 때문에 자동 조절 기능이 본인에게 잘 맞지 않는다면 설정을 끄십시오. 다만, 자동 조절 기능을 끄면 헤드셋 사용 시 불편함이 느껴질 수도 있습니다.

조명

조명이 밝은 곳에서 헤드셋을 사용해야 헤드셋 카메라가 최대한의 성능을 발휘할 수 있습니다. 단, 반사성 표면은 위치 트래킹을 방해할 수도 있습니다.

청소 및 관리

헤드셋을 주의해서 취급하고, 깨끗하고 먼지가 없는 곳에 보관하십시오.

직사광선 및 외부 광원

헤드셋을 직사광선이나 강한 자외선이 비추는 곳에 보관하지 마십시오. 직사광선에 노출되면 광학 부품과 디스플레이가 손상될 수 있습니다. 레이저나 외부 광원을 렌즈를 통해 비추지 마십시오.

! 손상

- 카메라 렌즈의 캘리브레이션에 영향을 미칠 수 있으므로 헤드셋을 떨어뜨리거나 구부리거나 다른 물체에 부딪치지 마십시오.
- 카메라 렌즈를 긁지 마십시오.
- 헤드셋을 들 때는 헤드셋 몸체 또는 헤드밴드를 잡으십시오.
- 쿠션 또는 케이블을 잡고 헤드셋을 들어올리지 마십시오.
- 케이블을 밟지 마십시오.

! 서비스가 필요한 손상

자격을 갖춘 정식 직원만 헤드셋을 정비할 수 있습니다. 다음과 같은 경우 공식 서비스 센터에 문의하십시오.

- 헤드셋이 액체에 노출되었거나 헤드셋을 떨어트린 경우.
- 헤드셋이 충격을 받았거나 손상된 경우.
- 헤드셋이 과열된 경우.
- 작동법을 따랐지만 헤드셋이 정상 작동하지 않는 경우.

청소

청소하기 전에 헤드셋을 전원에서 분리하십시오. 비마모성 항균 청소포로 헤드셋 물체를 닦아줍니다. 비누, 유독성 화학물질, 알코올, 세정용제, 액상 세제 또는 에어로졸을 사용하지 마십시오. 절대 헤드셋을 물로 씻지 마십시오. 헤드셋 렌즈 및 전면 플레이트는 광학 렌즈 청소포나 극세사 렌즈 청소포로 부드럽게 닦아주십시오. 액체 또는 화학 세제로 렌즈를 닦지 마십시오. 쿠션은 비마모성 항균 청소포로 닦아주십시오.

장치 온도

사용 중 헤드셋이 따뜻해지는 것은 정상입니다. 특히 전면 카메라와 통풍구 표면은 뜨겁게 느껴질 수도 있습니다. 만지기에 뜨거운 정도의 헤드셋에 피부가 오래 접촉하면 피부 자극이나 발진, 저온 화상으로 이어질 수 있습니다. 헤드셋이 만지기에 뜨겁거나 따뜻한 정도를 넘어선 경우 사용을 중단하고 잠시 식을 동안 기다려주십시오.

액세서리

공식으로 인증되지 않았거나 호환되지 않는 액세서리 또는 소프트웨어를 사용하지 마십시오. 공식으로 인증되지 않은 액세서리나 소프트웨어를 사용하면 성능에 이상이 생기거나 신체 부상 또는 헤드셋 손상을 초래할 수 있습니다. 호환되는 액세서리 또는 소프트웨어 목록은 varjo.com/support 를 참고하십시오.

사용 및 보관 환경

장소

적절하게 통풍이 되는 곳에서만 헤드셋을 사용하십시오.

- 헤드셋을 덮지 마십시오.
- 헤드셋 상단 또는 하단에 있는 통풍구를 덮지 마십시오.
- 렌즈를 긁을 수 있는 물체 근처에 헤드셋을 놓지 마십시오.
- 헤드셋을 개방형 화기나 불꽃은 흡연 제품에 노출하지 마십시오.
- 헤드셋을 열면, 뜨거운 곳 또는 극한 온도 근처에 놓지 마십시오.
- 헤드셋을 물이나 기타 액체 근처에서 사용하지 마십시오.
- 온도가 크게 변한 직후에 헤드셋을 사용하지 마십시오. 온도 및/또는 습도가 매우 다른 환경으로 이동해서 헤드셋을 사용하면 헤드셋 표면이나 안쪽에 응결 현상이 나타날 수 있습니다. 헤드셋을 사용하기 전에 수분이 모두 증발할 때까지 충분한 시간을 기다려주십시오.

참고: 저온 환경에서 고온 환경으로, 또는 그 반대로 이동한 후에 헤드셋을 사용할 때에는 헤드셋을 켜기 전에 먼저 실내 온도에 적응할 시간을 주어야 합니다. 헤드셋은 10°C ~ 27°C(50° ~ 80°F) 온도에서 사용하십시오. 헤드셋을 보관할 때에는 예기치 않은 손상을 방지할 수 있도록 원래의 포장 상자에 넣어 0°C ~ 40°C(32°F ~ 104°F) 온도에 보관하십시오.

무선 주파수

| 구성 요소 | 등급 | 주파수 | 피크 출력 전력 |
|-------|---------|----------------|----------|
| 헤드셋 | 12V, 3A | 2.402-2.48 GHz | 1 mW |

재활용

2003년 2월 13일 발표된 폐전기전자제품 처리에 대한 유럽연합 지침(Directive 2012/19/EU on Waste Electrical and Electronic Equipment, WEEE)에 따라 수명을 다한 전기전자제품의 처리 방법이 크게 바뀌었습니다. 전자제품의 적절한 폐기에 관해서는 현지 규정을 참고하십시오.



쓰레기통에 크게 X자가 그려진 기호가 헤드셋, 배터리, 설명서, 기타 포장재에 붙어 있으면 수명이 다한 모든 전기전자제품, 배터리, 사용한 포장재는 분리수거해야 한다는 의미입니다. 해당 제품을 일반 쓰레기로 폐기하지 마십시오. 재활용을 위해 분리수거해야 합니다. 재활용 관련 지침은 현지 규정을 참고하십시오.

CE 유럽 연합 고지

본 문서에서 Varjo는 HS-5 및 HS-6 헤드셋은 Directive 2014/53/EU 를 준수한다고 선언했습니다. EU 적합성 선언의 전문은 varjo.com/compliance에서 확인할 수 있습니다.

참고: 본 장비는 Criterion C 시험을 거쳤으며, Criterion C의 조건을 준수하는 것으로 판정받았습니다.

카메라에 +/- 500V 이상의 정전기가 직접 방전되면 기능이 저하될 수 있습니다. 기능을 완전히 회복하려면 카메라를 다시 시작해야 할 수 있습니다.

FC 사용자를 위한 FCC 및 ISED 정보

참고: 본 장비는 FCC 규정 15조에 따라 A 등급 디지털 기기에 대한 제한 사항을 대상으로 시험을 거쳤으며, 이를 준수하는 것으로 판정받았습니다. 이러한 제한은 장비가 상업용 환경에서 사용될 때 유해한 간섭으로부터 합당한 보호를 제공하기 위해 마련되었습니다. 본 장비는 무선 주파수 에너지를 발생시키고, 이용하고, 방출할 수 있으며, 사용 설명서에 따라 설치 및 사용하지 않는 경우 무선 통신에 유해한 간섭을 일으킬 수 있습니다. 주거 지역에서 본 장비를 사용할 경우 유해한 간섭이 발생할 수 있으며, 이 경우 간섭을 해결하는 데 따르는 비용의 책임은 사용자 본인에게 있습니다.

이 A 등급 디지털 기기는 캐나다 표준 ICES-003을 준수합니다.



California Proposition 65

경고: 암 - www.P65Warnings.ca.gov.

FCC 및 ISED 준수 성명

본 장비는 FCC 규정 15조 및 캐나다 산업부 RSS-247을 준수합니다. 장비 사용은 다음 두 조건에 따릅니다.

- (1) 이 장치는 유해한 간섭을 유발할 수 없습니다.
- (2) 장비가 의도치 않은 작동을 유발할 수도 있는 간섭을 비롯해 모든 종류의 간섭을 수용할 수 있어야 합니다.

규제 준수 담당자가 명시적으로 승인하지 않은 변경 또는 개조 시 장비를 사용할 수 있는 권한이 무효화될 수 있습니다.

FCC 및 ISED 방사선 노출 성명

본 장비는 통제되지 않는 환경에 대해 명시되어 있는 FCC 및 캐나다의 방사선 노출 제한을 준수합니다. 본 송신기는 여타 다른 안테나 또는 송신기와 같은 곳에 위치하거나 함께 작동해서는 안 됩니다.

RoHS 준수

본 장비는 전기전자 기기에 포함되는 특정 유해 물질의 사용 제한(RoHS)에 관한 유럽연합 지침(Directive 2011/65/EU of the European Parliament and of the Council of 8 June 2011) 및 그 개정안을 준수합니다.

사용자 안내문

이 기기는 업무용 환경에서 사용할 목적으로 적합성평가를 받은 기기로서 가정용 환경에서 사용하는 경우 전파간섭의 우려가 있습니다.

Varjo 기업 제한 보증

VARJO 제품은 기업용이며, 일반 소비자에게 판매되지 않습니다. 본 기업 제한 보증은 귀하에게 특정 법적 권한을 부여하며, 귀하는 주 및 국가별로 차이가 있을 수 있는 기타 법적 권한 역시 보유할 수 있습니다.

1. 정의

본 제한 보증에는 다음과 같은 정의가 적용됩니다.

- “Varjo 제품”은 공식 대리점 또는 Varjo(“공식 대리점”)로부터 최초 구매 시 기본 제품 구성에 포함되는 Varjo 헤드셋 및 동봉 액세서리를 의미합니다.
- “귀하”는 공식 대리점으로부터 Varjo 제품을 구매한 기업을 의미합니다.
- “보증 기간”은 공식 대리점으로부터 Varjo 제품을 구매한 날로부터 십이(12)개월입니다.
- “정상 사용 조건”은 정상적인 기업이 사용 설명서에 따라 사용하는 것을 의미합니다.
- “사용 설명서”는 제품 구성에 포함되거나 Varjo에서 온라인으로 게시한 모든 사용 안내, 안전 지침, 기타 설명서를 의미합니다.

2. 보증 범위

Varjo는 보증 기간 동안 Varjo 제품이 정상 사용 조건에서 Varjo의 기술 사양에 따라 정상적으로 작동할 것임을 귀하에게 보증합니다. Varjo 제품을 사용하는 데 필요하지만 Varjo 제품의 최초 구입 시 기본 제품 구성에 포함되어 있지 않은 기타 소프트웨어 또는 제품은 본 제한 보증의 보증 범위에 해당하지 않습니다. 해당 제품은 Varjo 제품과 함께 사용하도록 출시되었거나 명시되어 있다고 하더라도 별도의 이용 약관이나 기타 조건의 적용을 받습니다.

본 제한 보증은 귀하가 공식 대리점으로부터 새 Varjo 제품을 구입하였으며, 해당 Varjo 제품이 원래의 포장재에 밀봉된 상태로 판매된 경우에 한하여 유효하게 적용 가능합니다. 본 제한 보증은 양도 또는 이전의 제한이 준거법에 의해 금지되어 있지 않은 한 제삼자에게 양도 또는 이전할 수 없습니다.

보증 기간 내에 Varjo 제품을 반품하고, 본 제한 보증의 조건을 충족하는 경우 Varjo 또는 서비스 파트너사는 자유 재량으로 제품을 수리 또는 교체할 수 있습니다.

수리 또는 교체 시에는 리퍼 사용이 법으로 금지되어 있지 않은 한 기능적으로 동일한 리퍼 Varjo 제품 및/또는 리퍼 부품으로 진행될 수도 있습니다. Varjo 제품 교체 시 Varjo는 동일한 모델로 교체하거나 동일한 모델이 없는 경우에는 해당 모델과 가장 유사한 모델로 교체할 수 있습니다. 수리하거나 교체한 Varjo 제품을 귀하에게 다시 보낼 때 필요한 비용은 Varjo 또는 서비스 파트너사에서 부담합니다. 귀하가 Varjo에게 보내는 제품 및 Varjo가 교체하는 제품은 모두 Varjo의 재산입니다.

Varjo가 Varjo 제품을 수리하거나 교체하는 경우 수리하거나 교체한 Varjo 제품은 본래 보증 기간 중 남은 기간 또는 수리 또는 교체가 이루어진 날로부터 삼(3)개월 중 더 긴 기간 동안 계속 보증 혜택을 받을 수 있습니다.

Varjo 제품의 고장으로 인해 발생하는 모든 형태의 손해와 관련하여, Varjo 제품의 수리 또는 교체는 귀하에게 제공되는 유일한 배타적 보상이자, Varjo의 유일한 책임입니다. 당사가 자유 재량으로 여기 나온 어떠한 수단으로도 결함이나 오작동을 수정할 수 없다고 판단하면 당사는 귀하가 제품 구입 시 결제한 금액을 환불 처리할 수 있습니다.

본 제한 보증은 Varjo가 Varjo 제품과 관련하여 제공하는 최종적이고 완전한 배타적 보증이며, 다른 어떠한 개인 또는 법인(공식 대리점 포함)도 Varjo를 대신하여 다른 형태의 보증이나 보증 표현을 할 권리가 없습니다. 본 제한 보증을 통해 제공되는 명시적인 제한 보증을 제외하고, VARJO는 상품성에 대한 묵시적 보증과 특정 용도의 상품격적성에 대한 묵시적 보증 등을 포함한 기타 어떠한 종류의 명시적이고 묵시적인 보증 및 그와 같은 진술에 대해 책임이 없습니다. 본 제한 보증에서 달리 명시된 경우를 제외하고, 모든 VARJO 제품은 “모든 결함을 포함한” “현 상태 그대로” 제공됩니다. 묵시적 보증을 부인할 수 없는 경우 그 기간은 보증 기간으로 제한됩니다. 귀하에게 적용되는 준거법에서 묵시적 보증의 유효 기간에 대한 제한을 허용하지 않는 경우에는 이 제한이 귀하에게 적용되지 않을 수도 있습니다.

귀하가 Varjo 제품의 원래 구매자가 아닌 경우 귀하에게는 본 제한 보증이 적용되지 않습니다. 보증 기간이 만료되고, Varjo 제품이 본 제한 보증의 조건을 충족하지 않거나 귀하가 5항에 따라 보증에 따른 서비스 요청을 하지 못하는 경우 본 제한 보증은 적용되지 않습니다. 본 제한 보증이 적용되지 않는 경우 Varjo는 귀하에게 수수료가 부과되는 보증 외 서비스를 제공할 수도 있으며, 이 경우 귀하의 Varjo 제품 수리 또는 교체와 관련된 비용 일체는 귀하가 책임져야 할 수 있습니다.

3. 서비스를 어떻게 받을 수 있습니까?

Varjo 제품에 문제가 있다면 varjo.com/support에서 지원 및 문의 정보를 참고하여 보증 서비스 신청 양식을 제출하십시오. 서비스를 받기 위해 Varjo 제품을 보내야 하는 경우에는 귀하에게 배송 방법을 안내해 드립니다. Varjo 제품을 당사로 보내는 배송비는 귀하가 지불해야 할 수도 있습니다. 당사에서 Varjo 제품을 받고 나면 결함 또는 오작동이 본 제한 보증의 적용 범위에 드는지 검수하게 됩니다. 결함 또는 오작동이 본 제한 보증의 적용 범위에 드는 경우 당사는 귀하에게 정상 사용 조건에서 Varjo의 기술 사양에 부합하는 Varjo 제품을 제공해 드리기 위해 귀하의 Varjo 제품을 수리하거나 교체하고, 이렇게 수리한 Varjo 제품 또는 Varjo 제품의 교체품을 당사의 비용 부담하에 귀하에게 보내 드립니다. 원래의 Varjo 제품은 귀하에게 반송되지 않을 수도 있습니다. 유효한 구입 증빙 없이 Varjo 제품을 보내신 경우에는 해당 Varjo 제품을 귀하의 비용 부담하에(귀하가 배송비를 선납) 다시 반송해 드리며, 배송비를 선납하지 않으신 경우에는 귀하가 다시 픽업해 가실 수 있도록 삼십(30)일 동안 보관해 두었다가 그 기간 내에 픽업하지 않으면 폐기 처리합니다.

4. 보증이 적용되지 않는 항목은 무엇입니까?

본 제한 보증은 (i) 사용되거나 재판매된 Varjo 제품, (ii) 공식 대리점에서 구매하지 않은 Varjo 제품 또는 (iii) 모든 소프트웨어(Varjo 제품에 포함된 모든 소프트웨어 및 Varjo에서 제공하는 모든 PC 소프트웨어를 포함하며 이에 국한되지 않음)에 적용되지 않으며 Varjo는 이러한 항목에 대해 책임지지 않습니다.

이에 더해, 본 제한 보증은 (i) 사고(예: 우발적인 물리적 충격 또는 액체, 음식, 기타 오염 물질에 노출된 경우 등)나 도난, (ii) 정상적인 사용 조건이 아닌 상태로 사용하거나 기타 오용(기만, 남용 또는 개조가 포함되며 이에 국한되지 않음), (iii) Varjo에서 판매되거나 사용권이 없는 부적합한 제품과 함께 사용, (iv) 부적절한 통풍 환경에서 사용, (v) 어린이에 의한 사용, (vi) 보안 메커니즘의 우회, (vii) 역설계, (viii) 바이러스로 인한 오류나 손상 또는 Varjo 제품에 유입된 기타 소프트웨어 문제, (ix) Varjo 제품의 사용 지역에서 적용되는 법률, 규제 또는 규정을 위반하여 Varjo 제품 사용, (x) 승인되지 않은 수리로 인해 발생한 결함이나 손상, (xi) 낙뢰, 홍수, 토네이도, 지진, 태풍 등에 인한 자연 재해 및/또는 (xii) 외관상의 손상(예: 긁힘)에 따른 Varjo 제품의 손상이나 Varjo 제품의 손실에 적용되지 않으며 Varjo는 이러한 사항에 대해 책임지지 않습니다.

또한, 본 제한 보증은 정상적인 마모 및 소모품의 정상적인 감도에 따라 발생하는 Varjo 제품의 손상이나 손실에 적용되지 않으며 Varjo는 이러한 사항에 대해 책임지지 않습니다.

마지막으로, 본 제한 보증에는 Varjo 제품에 오류가 없거나 가동 시간 또는 연속된 가용성, 소프트웨어 또는 온라인 계정의 데이터 보안 기능과 관련한 사항, 또는 소프트웨어, 펌웨어 또는 온라인 사이트가 중단이나 오류 없이 기능할 수 있다는 모든 특정한 보장이 포함되지 않습니다. Varjo 제품이 제거, 손상 또는 변조된 라벨 또는 어떠한 변조(구성 요소 또는 외부 커버의 무단 제거 포함)와 함께 반환되는 경우 이 제한 보증은 무효화됩니다. 본 제한 보증은 데이터 손실에 적용되지 않습니다. [데이터 유지를 원하는 경우 주기적으로 사용자 데이터를 전자적이거나 물리적으로 백업하는 것은 사용자의 책임입니다. 본 제한 보증에서 데이터 복구, 제거 및 설치와 관련된 모든 손상 또는 비용은 보상되지 않습니다.]

5. 책임 제한

해당 법률에서 허용되는 최대 범위까지, VARJO와 공급업체 모두 모든 간접, 부수적, 결과적, 유통성 또는 특수 손상에 대해 책임지지 않으며, 이는 수익 저하나 상업적 손실, 사업 중단, 사업 정보 손실, 데이터 손실, 개인정보 보호 손실, 기밀성 손실, 대체품이나 보완 장비 비용 또는 VARJO 제품을 교체 또는 수리하는 동안 사용 불가를 포함하며 이에 국한되지 않습니다. 해당 법률에서 허용되는 최대 범위까지, 본 제한 보증에 따라 VARJO 및 공급업체의 총체적인 책임은 VARJO 제품 구매를 위해 실제 지불한 금액으로 제한됩니다. 이러한 제외 조항은 계약상, 불법 행위(기만 포함), 엄격한 제조물 책임이나 기타 청구권, 법적, 형평법상 이론 등 조치의 형태에 상관없이 구제 방안이 기본적인 의도를 충족하지 못하거나 VARJO가 이러한 손상의 가능성에 대한 참고 정보를 받았더라도 적용됩니다. 일부 주와 국가에서는 부수적 또는 결과적인 손상의 제외 또는 제한을 허용하지

않으므로 이 제한 보증의 제한 또는 제외 사항이 귀하에게 적용되지 않을 수 있습니다.

Varjo 직원 또는 대리인 또는 그 계열사 또는 제3자 등 어떠한 당사자도 제한된 비즈니스 보증 또는 이용 약관의 일부를 변경, 확장 또는 추가할 권한이 없습니다.

6. 일반 조항

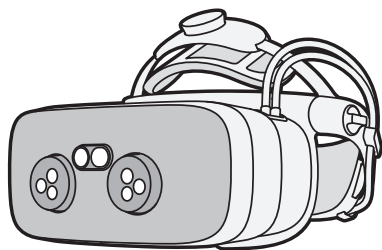
6.1 본 제한 보증은 법률 조항을 제외하고 핀란드법에 따릅니다. 국제 물품 판매 계약에 대한 UN 협약은 적용되지 않습니다. 본 제한 보증으로 인해 발생하는 분쟁, 논란 또는 소송은 핀란드 상거래 중재 규칙에 따른 중재에 의해 최종 판정됩니다. 중재지는 헬싱키입니다. 중재에 사용되는 언어는 영어입니다.

6.2 본 제한 보증의 특정 조항이 일체의 관할권의 법률에 따라 불법적이거나 유효하지 않거나 시행 불가능한 것으로 판단되는 경우, 이는 제한 보증에 포함된 다른 조항의 적법성, 유효성 또는 시행 가능성에 영향을 미치지 않습니다.

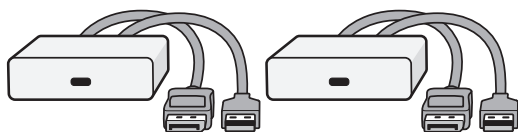
盒子內裝有

XR-3

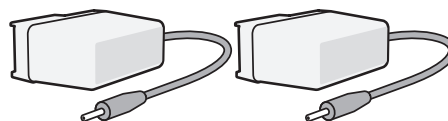
混合實境頭戴裝置



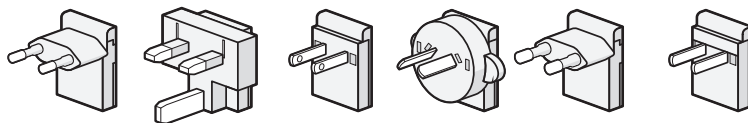
2 個頭戴裝置轉接器



2 個電源供應器



6 種電源插頭，每種各 2 個



歐洲

英國

美國

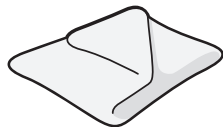
澳洲

韓國

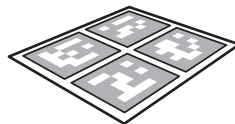
中國

TW

清潔布

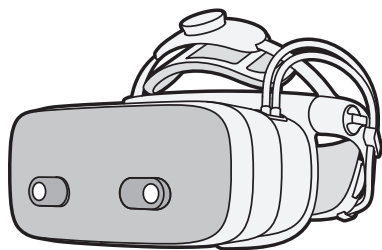


Varjo 參考標記

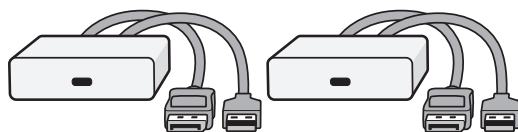


VR-3

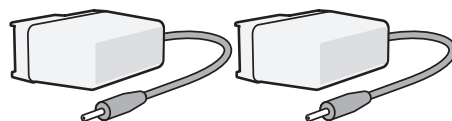
虛擬實境頭戴裝置



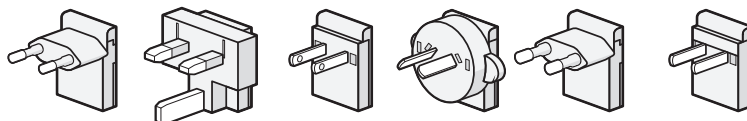
2 個頭戴裝置轉接器



2 個電源供應器



6 種電源插頭，每種各 2 個



歐洲

英國

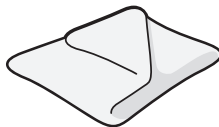
美國

澳洲

韓國

中國

清潔布

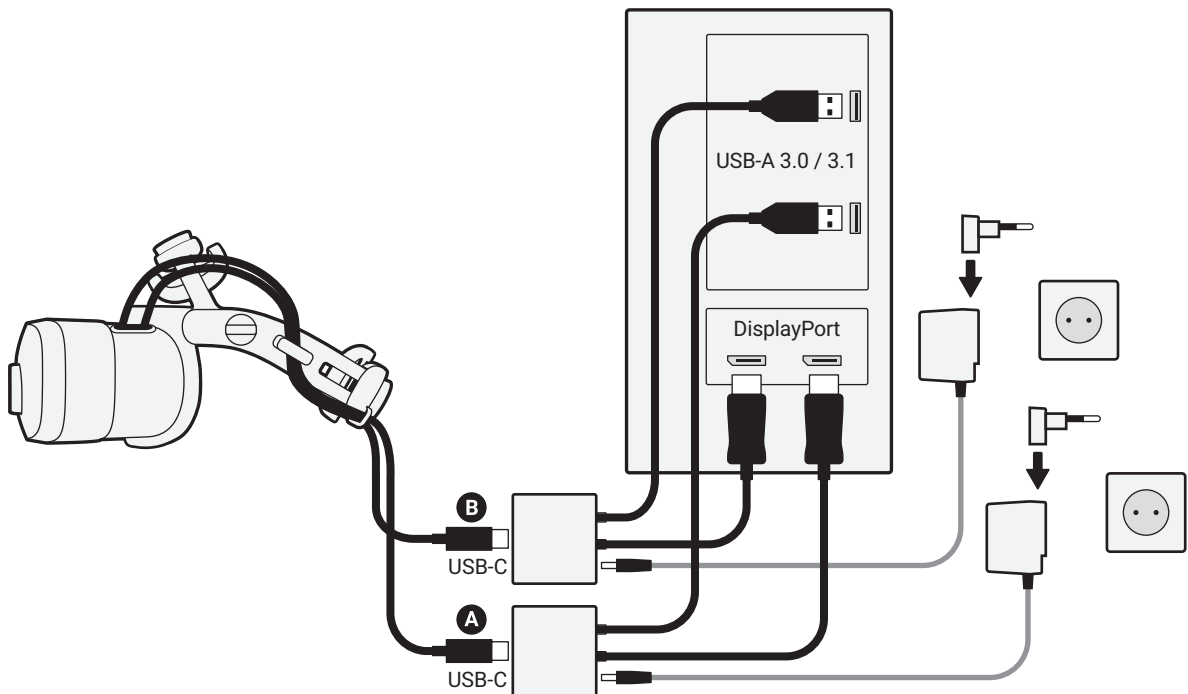


連接頭戴裝置

Varjo 頭戴裝置與 Windows 的電腦相容。

1. **A** 和 **B**：將每一條頭戴裝置纜線連接至一組頭戴裝置轉接器。
2. 頭戴裝置轉接器：將每個轉接器連接至顯示卡的 DisplayPort 連接埠，以及主機板上的一個 USB-A 3.0 / 3.1 連接埠。

如需更詳細的系統需求資訊，請參閱 varjo.com/start/system。

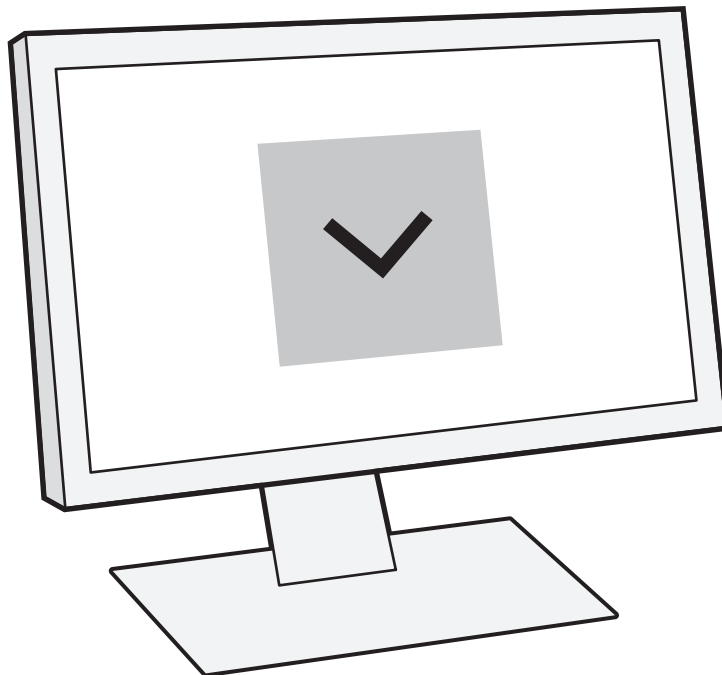


下載 Varjo Base

Varjo Base 是在 Windows 電腦上運行您的頭戴裝置時所使用的軟體。
下載 Varjo Base 即可開始。

1. 前往 varjo.com/start。
2. 建立一個 Varjo Account。
3. 下載並啟動 Varjo Base。
4. 遵從指示設定。

您必須有有效的訂閱服務，才能使用頭戴裝置。
請前往 varjo.com/subscriptions 取得更多資訊。



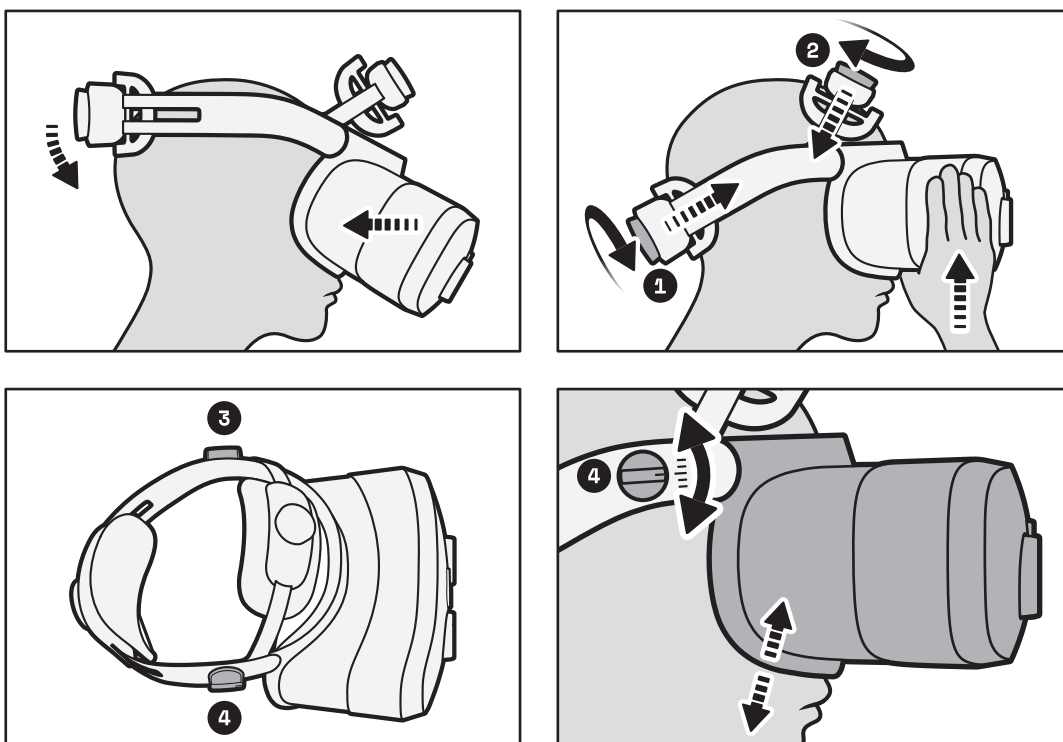
戴上頭戴裝置

要戴上頭戴裝置時，請將頭戴裝置的前面放到您的臉上，然後將頭帶拉到頭部後方。您可以戴著大多數單焦點眼鏡使用頭戴裝置。

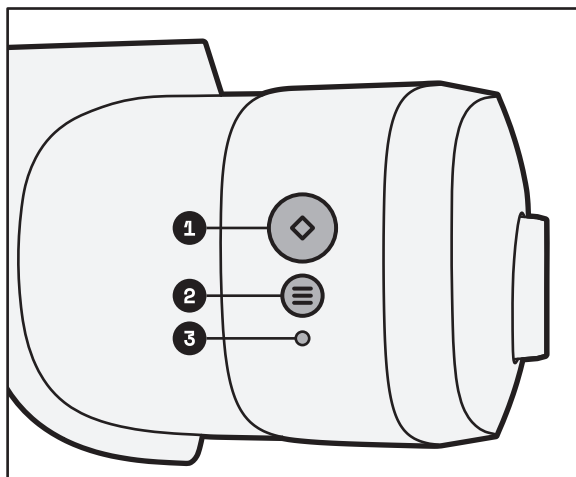
穿戴時請調整頭戴裝置，使其貼合您的頭部大小並確保穿戴舒適：

- ❶：旋轉後調節輪以束緊頭帶。
- ❷：旋轉前調節輪以在您的頭上上下移動頭戴裝置。調整時請用一隻手支撐頭戴裝置本體。
- ❸ 和 ❹：使用側面調節輪調整頭戴裝置包住臉部的方式。

當頭戴裝置戴起來覺得舒服，且從裝置內看到的影響清楚，即表示已正確調整完畢。



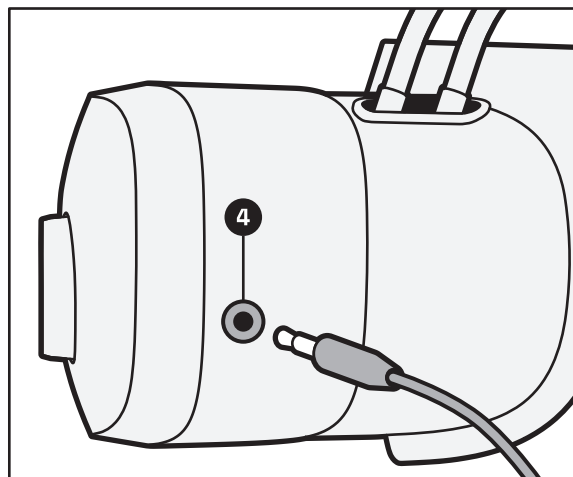
使用頭戴裝置



❶ 動作按鈕：和您的應用程式互動

❷ 選單按鈕：開啟選單

❸ LED 狀態燈



❹ 耳機連接器

| LED 燈光形式 | 頭戴裝置狀態 |
|------------|----------------|
| 白色 (閃爍) | 正在啟動 |
| 綠色 (恆亮) | 正常運作 |
| 綠色 (間歇式閃爍) | 閒置中 |
| 綠色 (連續閃爍) | 關機中 |
| 橘色 (恆亮) | Varjo Base 未啟動 |

清潔頭戴裝置

請定期清潔頭戴裝置，如果與他人共用裝置，請格外注意清潔。

頭戴裝置鏡片：請使用拭鏡紙或超細纖維鏡片擦拭布清潔。

頭戴裝置本體、緩衝墊、鼻墊區與鏡片周圍的部分：使用不具打磨性質的抗菌濕巾擦拭。

您可以在 Varjo Store 添購緩衝墊。

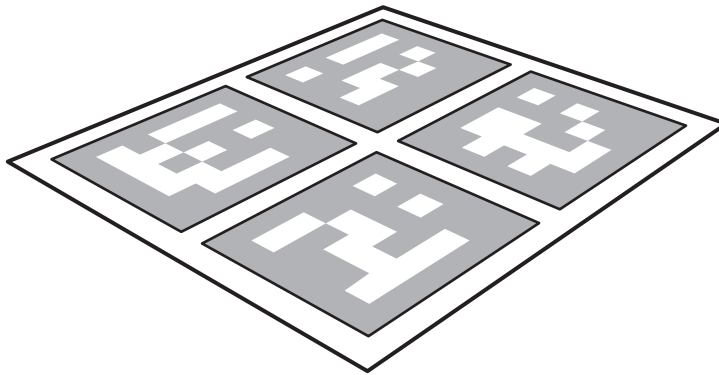


使用 Varjo 參考標記

使用 Varjo 參考標記改善 Varjo 全面追蹤的精準度。

Varjo XR-3 混合實境頭戴裝置 可以使用 Varjo 全面追蹤功能。

如要獲得更多資訊，請前往 [varjo.com/start/get-to-know-your-headset](https://www.varjo.com/start/get-to-know-your-headset)。



產品與安全 資訊

適用用途

本頭戴裝置僅適用於在室內由成人使用。如果您未依適當的方式使用頭戴裝置，可能會造成裝置故障。

高風險用途

Varjo 軟體及 / 或產品的設計、工程設計與認證並不適合控制任何裝備或系統，包括航空、工業、商用、軍用或醫療設備或系統，作任何具有有意義之可能性，可能於使用中或故障時造成任何人或動物死亡或重傷，或是造成嚴重實體或環境損害之用途（以下稱「高風險用途」）。Varjo 強烈不建議將軟體或產品用於任何高風險用途。如果您仍決定將軟體及 / 或產品用於高風險用途，您須自負風險、承擔一切責任，並同意採取所有合理的預防措施，以將此類高風險用途及 / 或軟體及 / 或產品在此類高風險用途中發生故障所造成的風險與損害降至最低。

產品型號標籤

頭戴裝置的型號與序號印在產品型號標籤上，位於頭帶後方的支撐零件上。

健康與安全警語

為了降低個人受傷、不適或物品損毀的風險，請確保所有使用頭戴裝置的使用者在使用裝置之前，皆已仔細閱讀過以下警語。

使用頭戴裝置前

您需要擁有不受限制的動態感與平衡感，才能擁有舒適的混合或虛擬實境體驗。如果您生病、疲勞、想睡、受到酒精或藥物的影響、宿醉、有消化問題、精神壓力較大或焦慮、目前患有感冒、流感、偏頭痛或頭痛，或整體感覺不適，請不要使用頭戴裝置，因為這可能會使您的情況惡化。如果您有任何會影響視力或行動力的身體狀況、懷孕或年紀較大、有心臟或其他嚴重健康狀況、有癲癇發作的問題、偏頭痛或精神問題，在使用頭戴裝置前請先諮詢醫師意見。

安全的環境

Varjo 頭戴裝置能產生十分身歷其境的混合或虛擬實境體驗，可能會使您分心，難以看到您現實世界的身邊狀況。

- 請記住，您看到的虛擬物體都不存在於現實環境，其大小與位置都不是真的。請不要嘗試坐或站在虛擬物體上，或將其用作支撐。請注意任何可能位於虛擬物體後方的現實世界物體。
- 請絕對不要將頭戴裝置用於任何需要注意力的狀況，例如走路、騎腳踏車或開車時。處於移動車輛中時請不要使用頭戴裝置。
- 請記住，當您在使用頭戴裝置時，您可能不會注意到有人來到您所在的區域。
- 使用頭戴裝置前，請清除附近區域的障礙物、危險物品、人員、家具，以及任何可能妨礙您自由移動的物品。另外，也請確認您上方與身邊有足夠的空間，以確保在使用頭戴裝置時能伸長手臂。
- 請不要在接近牆壁、樓梯、陽台、窗戶、打開的門、屋頂較低處、有吊扇處、有燈具固定處、易碎物品、明火、熱源或其他您可能碰撞或擊倒的東西的地方使用頭戴裝置。
- 請記得纜線與電線的位置，以免在使用頭戴裝置時踩到、絆倒或扯到這些線材。請不要猛拉、折彎纜線或電線，也不要使其打結。
- 使用頭戴裝置時，請勿手持尖銳或危險物品。

身體不適情形

使用頭戴裝置時，有些人可能會覺得眼睛變乾、眼睛疲勞、眼球或肌肉抽動、不自主的動作、視野改變、模糊或雙重視野，或其他視覺異常、暈眩、頭昏、失去方向感，或是頭部或眼睛不適或疼痛、頭痛、平衡感欠佳、手眼協調惡化、盜汗、流口水、噁心、疲勞、失去狀況覺知、癲癇發作或其他動暈症的症狀。

剛開始使用頭戴裝置時，請縮短每一次使用的時間，並經常休息。如果您覺得身體不適，請停止使用頭戴裝置，待症狀消退後再繼續使用。在症狀完全消退前，請勿駕車、操作機械或進行任何需要視力或體力的活動。如果您無法清楚、舒適地看見虛擬物品，請考慮諮詢醫師。

過度使用

使用頭戴裝置時，請經常休息。長時間使用可能會影響您的手眼協調或平衡感，也可能造成其他不良影響。

注意事項內容：

- (1) 使用30分鐘請休息10分鐘。
- (2) 未滿2歲幼兒不看螢幕，2歲以上每天看螢幕，不要超過1小時。

重覆壓力傷害

請以舒服的姿勢使用頭戴裝置。抓握頭戴裝置或按下頭戴裝置按鈕時，請不要過度用力。如果您發生搔癢、麻木、灼熱、僵硬、腫痛或其他不適的狀況，請停止使用頭戴裝置，休息症狀完全恢復為止。如果您持續遇到上述症狀，請諮詢醫師意見。

干擾醫療裝置

本頭戴裝置可能會釋放出無線電波，可能會干擾到附近的電器運作，包括心律調節器、助聽器和去顫器。如果您使用心律調節器或其他植入式醫療裝置，請先諮詢醫生或醫療裝置製造商，再使用頭戴裝置。請讓頭戴裝置保持與您的醫療裝置的安全距離，如果您發現有任何干擾醫療裝置的狀況，請馬上停止使用頭戴裝置。

聽覺喪失

過度曝露在大聲的聲音中，可能會造成聽覺受損。搭配耳機使用頭戴裝置時，請先從低音量開始，再依需要增大音量。請勿將音量設定得過大。

癲癇

即使沒有相關病史，有些人仍可能在受到閃光、特定光線模式或眼球追蹤裝置的紅外線光源時，發生嚴重暈眩、昏倒、癲癇發作或失去視覺的狀況。如果您遇到上述任何症狀，請停止使用頭戴裝置並諮詢醫師意見。如果您過去有上述症狀的病史，在使用頭戴裝置前請先諮詢醫師。為了降低癲癇的機會，請不要在感到疲累時使用頭戴裝置。

無眼睛保護效果

Varjo 頭戴裝置無法針對撞擊、碎片、化學品、紫外線、其他有害光線、懸浮微粒、拋射物或其他物理危險，提供對眼睛的保護。

電擊

請勿嘗試拆解、開啟、修理或改裝頭戴裝置或電源供應器，因為這可能會造成電擊或其他風險，也可能會損傷頭戴裝置或電源供應器。針對可插電式裝備，插座應位於裝備附近，且應易於插拔。頭戴裝置應只搭配購買時包裝內隨附的電源供應器 (Adapter Technology Co., Ltd. (ATS036T-W120V (Level VI)) 輸入電源通用 100 到 240

V 交流電 / 50 到 60 Hz, 1A; 輸出電源最大 12V / 0 到 3A) 與頭戴裝置轉接器使用。使用其他電源供應器可能會造成危險。

1 級雷射產品

(僅適用於 Varjo XR-3 混合實境頭戴裝置)



受損或損壞的裝置

如果頭戴裝置的任何部分損壞或受損、提供的纜線扯裂或有任何線材裸露，請不要使用。請不要嘗試自行修理頭戴裝置的任何部分。維修工作應全數交由經授權的維修設施或 Varjo 進行。

具傳染性的狀況

為了避免將傳染病傳染給他人，請不要與受到感染或生病的人共用頭戴裝置，尤其是眼睛、皮膚或頭皮的感染。

皮膚刺激

如果您發生皮膚腫脹、搔癢或其他受到刺激的狀況，請停止使用頭戴裝置。如果症狀持續發生，請諮詢醫師。

安全資訊

為了避免您或其他人受到傷害，或是頭戴裝置受損，使用前請先閱讀本安全資訊。

穿戴頭戴裝置

第一次戴上頭戴裝置時，請遵循指示將頭戴裝置正確固定在頭上。當頭戴裝置戴起來覺得舒服，且從裝置內看到的影響清楚，即表示已正確調整完畢。您的頭部不應感覺到疼痛或壓力，緩衝墊接觸臉部的感覺也應保持舒適。

當您戴上頭戴裝置時，裝置會根據您的瞳距，自動調整鏡片。此功能預設設定為開啟。我們建議您保持此功能開啟。如果自動調整無

法正確調整您的瞳距，請將該功能關閉，這可能是因為例如如眼鏡或其他影響視力的狀況。如果您關閉自動調整，您使用頭戴裝置時可能會感覺到不適。

照明

請在照明充足的環境下使用頭戴裝置，以確保頭戴裝置上的相機能發揮最高的效能。請注意，會反射光源的表面可能會干擾位置追蹤。

保養與維護

請小心使用頭戴裝置，並儲藏在乾淨、沒有灰塵的地方。

日光與外在光源

請勿將頭戴裝置置於日光直射或有強大紫外線照射的地方。曝露在日光直射下可能會損傷鏡頭與螢幕。請勿以雷射或外在光源照射鏡片。

⚠ 損傷

- 請不要讓頭戴裝置摔落，也不要彎曲其構造或用來敲打其他物體，這可能會影響相機鏡頭的校正。
- 請勿刮傷相機鏡頭。
- 要拿起頭戴裝置時，請握住裝置本體或頭帶。
- 請勿透過握著緩衝墊或纜線來拿起頭戴裝置。
- 請不要踩到纜線。

⚠ 需要維修的損傷

維修頭戴裝置時，請務必委託合格人士進行。如有以下情形，請聯絡經授權的維修機構：

- 頭戴裝置接觸到液體或摔落。
- 頭戴裝置遭到撞擊或受損。
- 頭戴裝置過熱。
- 頭戴裝置在依操作說明操作的狀況下無法正常運作。

清潔

清潔前請先將頭戴裝置的電源拔除。使用不具打磨性質的抗菌濕巾清潔頭戴裝置本體。請勿使用肥皂、強力化學藥劑、酒精、清潔用溶劑、液態清潔劑或氣化噴霧劑。請絕對不要用水清潔頭戴裝置。

請使用拭鏡紙或超細纖維鏡片擦拭布清潔頭戴裝置鏡片與前板。請勿使用任何液態或化學清潔劑清潔鏡片。使用不具打磨性質的抗菌濕巾清潔緩衝墊。

裝置溫度

頭戴裝置在使用時摸起來有點溫熱是正常的。尤其是前置攝影鏡頭和空氣散熱表面可能會有點燙。皮膚如果長時間接觸摸起來較熱的頭戴裝置，可能會造成皮膚不適或發紅，也可能發生低溫灼傷。如果您的頭戴裝置發熱到難以觸摸或溫熱到讓人不舒服的程度，請停止使用，讓頭戴裝置冷卻。

配件

請勿將頭戴裝置搭配任何未經授權或不相容的配件或軟體使用。使用未經授權的配件或軟體，可能會造成效能問題，也可能造成使用者受傷或裝置受損。請參考 varjo.com/support 以取得相容配件或軟體的完整清單。

操作與儲藏環境

裝設

頭戴裝置應只在通風良好的環境使用。

- 請勿覆蓋頭戴裝置。
- 請勿蓋住頭戴裝置上下的通風孔。
- 請勿將頭戴裝置置於可能刮傷鏡片的物體附近。
- 請勿將頭戴裝置曝露於明火或已點火的發煙產品前。
- 請勿將頭戴裝置置於接近熱源、高溫區域或極端溫度環境的地方。
- 請勿於靠近水或其他液體處使用本頭戴裝置。
- 請勿在溫度劇烈變化後使用本頭戴裝置。本頭戴裝置在溫度及 / 或溼度範圍差異極大的環境之間移動時，頭戴裝置表面或內部可能形成凝水。使用頭戴裝置前請讓溼氣有充足時間揮發。

註：將本頭戴裝置從低溫狀態移到較溫暖的環境（或相反）時，開啟頭戴裝置前請讓頭戴裝置適應室內溫度。Varjo頭戴裝置的建議操作溫度為10至27°C（50至80°F）。在更高的溫度下操作也可行，最高可達35°C（95°F），但裝置升溫速度更快。把本頭戴裝置放在包裝盒中，於0°C到40°C（32°F到104°F）的溫度之間存放，以盡量避免意外損壞。

無線頻率

| 元件 | 輸入規格 | 頻率 | 峰值輸出功率 |
|------|---------|------------------|--------|
| 頭戴裝置 | 12V, 3A | 2.402 - 2.48 GHz | 1 mW |

回收

2003年2月13日生效的2012/19/EU廢電子電機設備指令(WEEE)對於廢電子設備的處理方式有重大的改變。請確認當地法規，適當處置電子產品。



頭戴裝置、電池、說明材料或包裝上的「垃圾筒打叉」符號是要提醒您，把使用壽命已盡的電子產品、電池和使用過的包裝材料分類收集。請勿把這些產品當作未分類的一般垃圾丟棄，請回收。關於離您最近的回收據點資訊，請洽詢您當地的廢棄物主管機關。

CE 歐盟聲明

Varjo 在此聲明 HS-5 與 HS-6 頭戴裝置符合 2014/53/EU 指令。歐盟符合性聲明的全文在此網址：varjo.com/compliance。

註：本設備已經過測試，結果符合 C 標準的限制。

對攝影機的 +/- 500V 或以上的直接靜電放電可能導致功能降低。攝影機系統可能需要重新啟動才能完全恢復功能。

FC 給使用者的 FCC 與 ISED 資訊

註：本設備已經過測試，結果符合 FCC 規定 15 條的 A 類數位裝置限制。這些限制的設計是讓設備在商業環境中運作時，提供合理防護以避免有害干擾。本設備會產生、使用並且可能發出無線射頻能量，如果未按照說明手冊安裝及使用，可能對無線通訊造成有害干擾。在住宅區操作本設備可能造成有害干擾，在此情況下，使用者必須自行修正干擾。

本 A 類數位儀器符合加拿大 ICES-003 標準。



加州 65 號提案

警告：癌症 - www.P65Warnings.ca.gov

FCC 與 ISED 法規遵循聲明

本裝置符合 FCC 規定第 15 條和加拿大創新科學暨經濟發展部的 RSS-247 規範。操作有以下兩項限制條件：(1) 本裝置可能造成有害

干擾；(2) 本裝置必須接收收到的任何干擾，包括可能造成不理想操作的干擾。法規遵循負責單位未明確核准的變更或改造，可能消除使用者操作本設備的權利。

FCC 與 ISED 輻射曝露聲明

本設備符合 FCC 與加拿大在非受控環境下的輻射曝露限制。這些發射器不得與任何其他天線或發射器放置在同一處，或與任何其他天線或發射器同時運作。

日本無線電法之法規遵循

本裝置符合日本無線電法（電波法）

不應改造本裝置（否則指定合規編號將無效）

RoHS 法規遵循

本設備符合歐洲議會 2011/65/EU 指令及 2011 年 6 月 8 日決議，關於在電子電機設備 (RoHS) 使用特定有害物質的限制及其修正。

| 單元 Unit | 限用物質及其化學符號 Restricted substances and its chemical symbols | | | | | |
|-----------|--|----------------------|----------------------|--|--|--|
| | 鉛 Lead (Pb) | 汞 Mercury (Hg) | 鎘 Cadmium (Cd) | 六價鉻 Hexavalent chromium (Cr ⁺⁶) | 多溴聯苯 Polybrominated biphenyls (PBB) | 多溴二苯醚 Polybrominated diphenyl ethers (PBDE) |
| 顯示面板 | - | ○ | ○ | ○ | ○ | ○ |
| 印刷電路組件板 | - | ○ | ○ | ○ | ○ | ○ |
| 頭戴裝置電源轉接器 | - | ○ | ○ | ○ | ○ | ○ |
| 散熱風扇 | - | ○ | ○ | ○ | ○ | ○ |

備考1. ¹超出0.1 wt %²及³超出0.01 wt %⁴係指限用物質之百分比含量超出百分比含量基準值。

備考2. ²○⁵係指該項限用物質之百分比含量未超出百分比含量基準值。

備考3. ³-⁵係指該項限用物質為排除項目。

代理商

名稱 佐臻股份有限公司

地址 22161 新北市汐止區大同路一段239號17樓之1
(台灣科學園區)

根據 NCC LP0002低功率射頻器材技術規範_章節3.8.2
取得審驗證明之低功率射頻器材，非經核准，公司、商號或使用者
均不得擅自變更頻率、加大功率或變更原設計之特性及功能。低功
率射頻器材之使用不得影響飛航安全及干擾合法通信；經發現有干
擾現象時，應立即停用，並改善至無干擾時方得繼續使用。前述合
法通信，指依電信管理法規定作業之無線電通信。
低功率射頻器材須忍受合法通信或工業、科學及醫療用電波輻射性
電機設備之干擾。

警告使用者：此為甲類資訊技術設備，於居住環境中使用時，
可能會造成射頻擾動，在此種情況下，使用者會被要求採取某些適
當的對策。

使用指南更新

Varjo 保留更新本使用指南中所載資訊的權利。您可以在
varjo.com/downloads 找到最新的版本。

Varjo 有限商業保固

Varjo 產品預期供商業使用，不預期銷售給消費者。本有限商業保固
給予您特定法律權利，因國家 / 地區及州別而異，您也可能擁有其他
法律權利。

1. 定義

本有限保固適用以下定義：

- 「Varjo 產品」代表當初從授權經銷商或 Varjo (下稱「授權經銷商」) 購買時盒內提供的 Varjo 頭戴裝置和任何配件。
- 「您」和「您的」代表當初從授權經銷商購買 Varjo 產品的商業使用者。
- 「保固期」是您從授權經銷商購買 Varjo 產品日期起的十二 (12) 個月。
- 「正常使用狀態」代表按照使用手冊的正常商業使用。

「使用手冊」代表任何及所有使用說明、安全性指引和盒內提供或
Varjo 線上公佈的其他文件。

2. 範圍

Varjo 為您提供專屬保固，在保固期內 Varjo 產品在正常使用狀態
下將符合 Varjo 的技術規格正常運作。本有限保固不涵蓋當初購買
Varjo 產品時不包括在盒內，使用 Varjo 產品所需的任何軟體或其

他產品。上述產品受其各自使用條款或其他條款限制，即使是預期
或標示用於和 Varjo 產品共同使用。

本有限保固僅於您從授權經銷商購買新的 Varjo 產品後生效，而
且銷售給您時 Varjo 產品必須在原本的密封包裝內。您不得指定
或轉讓本有限保固給任何第三方，除非法律強制規定禁止此限制。

如果您在保固期內退還 Varjo 產品並且它滿足本有限保固的條
款，Varjo 及其服務夥伴將自行斟酌予以維修或更換。

除非法律禁止，維修或更換可能包括使用功能相同的修復 Varjo
產品和/或修復零件。更換 Varjo 產品時，Varjo 可能以相同型號更
換，如果無法提供，會以最接近原本型號的型號更換。Varjo 及其
服務夥伴將自費寄回修復或更換的 Varjo 產品給您。您寄給 Varjo
的任何 Varjo 產品或經 Varjo 更換的產品成為 Varjo 的財產。

如果 Varjo 維修或更換 Varjo 產品，修復或更換的 Varjo 產品原
本保固期的剩餘時間仍然享有保固，或者在維修或更換 Varjo 產
品起的三 (3) 個月內享有保固，以時間較長者為準。

對於因 Varjo 產品故障導致的任何損失的任何求償，維修或更換
Varjo 產品是您唯一的補救方式，維修或更換 Varjo 唯一的責
任。如果我們自行斟酌決定上述方式皆無法合理修復缺陷或故障，
我們會退還您當初購買產品的費用。

本有限保固是 Varjo 為 Varjo 產品提供的最終、完整和專屬保固，
沒有其他人或實體 (包括授權經銷商) 有權代表 Varjo 提供任何其
他保固或表述。除了本有限保固提供的明示有限保固，Varjo 不承
認所有其他任何形式的明示及暗示保固與表述，包括任何暗示的
銷售保固以及特定目的的適用性。除了本有限保固提供的內容，所
有 Varjo 產品以「現狀」提供，並且「不保證商品沒有瑕疵」。如果
在無法否認暗示保固的情況下，時間範圍限於保固期。如果適用您
的法律強制規定，不允許限制暗示保固的時間範圍，此限制可能不
適用於您。

如果您不是本 Varjo 產品的原本購買人，本有限保固不適用於您。
如果有限保固過期，如果 Varjo 產品不符合本有限保固的條件或
如果您無法根據第 5 條提出保固申請，本有限保固不適用。如果本
有限保固不適用，Varjo 可能收費為您提供過保服務，您可能要為
維修或更換 Varjo 產品的所有相關費用負責。

3. 如何獲得服務？

如果您有關於 Varjo 產品的問題，請造訪我們的網站 varjo.com/support 取得協助和聯絡資訊，以及提交申請表獲取保固服務。如果您必須寄回 Varjo 產品進行維修，我們會提供您寄回方式的說明。您可能必須支付將 Varjo 產品寄給我們的貨運費用。當我們收到 Varjo 產品時，會判定缺陷或故障是否適用本有限保固。如果我們發現缺陷或故障適用本有限保固，會維修或更換 Varjo 產品，提供您在正常使用狀態下符合 Varjo 的技術規格正常運作的 Varjo 產品。並且我們會自費（若需運費）寄送修復的 Varjo 產品或更換的 Varjo 產品給您。我們不會將原本的 Varjo 產品退還給您。如果您寄給我們沒有有效購買證明的 Varjo 產品，我們會將 Varjo 產品退還給您並且向您收取運費，您必須預先付費，如果未預先付費，我們會保留 Varjo 產品三十 (30) 天等待您取回，逾時廢棄。

4. 不涵蓋哪些範圍？

本有限保固不涵蓋且 Varjo 不對以下產品負責：(i) 已使用過或二手的 Varjo 產品；(ii) 並非從授權經銷商購買的 Varjo 產品；(iii) 任何軟體（包括但不限於 Varjo 產品上的任何軟體及 Varjo 提供的任何電腦軟體）。

此外，本有限保固不涵蓋且 Varjo 不對 Varjo 產品缺陷產生的傷害負責，也不涵蓋且不對以下情況導致的傷害負責：(i) 意外（例如意外物理衝擊、接觸液體、食物或其他汙染物等）或偷竊；(ii) 未在正常使用狀態下使用或任何其他不當使用（包括但不限於疏忽、濫用或改造）；(iii) 和並非 Varjo 銷售或授權的不適當產品一起使用；(iv) 在通風不良處使用；(v) 給孩童使用；(vi) 規避我們的安全機制；(vii) 逆向工程；(viii) Varjo 產品因病毒入侵或其他軟體問題產生的缺陷或損壞；(ix) 使用 Varjo 產品會違反使用 Varjo 產品所在地的任何法律、規定或有效條例；(x) 未經授權維修導致的缺陷或損壞；(xi) 天災，包括但不限於閃電、洪災、龍捲風、地震或颱風；和 / 或 (xii) 外觀缺損（例如刮痕）。

此外，本有限保固不涵蓋且 Varjo 不對正常磨耗及消耗性零件正常消耗導致的 Varjo 產品損壞及 Varjo 產品缺陷負責。

最後，本有限保固不包括 Varjo 產品絕不出錯的任何特定保證，也不包括關於持續時間或持續可用性、軟體或線上帳戶的資料安全功能，或者任何軟體、韌體或線上網站功能不中斷或無錯誤的任何特定保證。如果寄回的 Varjo 產品有標籤被移除、破壞、篡改或有任何改造（包括未經授權移除任何元件或外殼），本有限保固失效。（本有限保固不涵蓋資料損失。如果希望保有您的資料，定期備份電子或實體資料是您的責任。本有限保固不涵蓋關於資料復原、消除及安裝的任何損失或費用。）

5. 責任限制

在適用法律允許的最大範圍內，Varjo 產品更換或維修期間，Varjo 與其供應商皆不對任何間接、附帶、因果性、懲罰或特殊損害負責，包括但不限於利益損失或商業損失、業務中止、業務資訊損失、資料損失、隱私損失、保密性損失、替換物品或替代設備的任何費用，或無法使用。在適用法律允許的最大範圍內，Varjo 與其供應商對於本有限保固的全部責任限於您為 Varjo 產品支付的實際金額。對於本有限保固衍生或相關的任何索賠，即使補救無法達成實質目的或 Varjo 已得知這些損害的可能性，不論訴訟的形態，不論是合約、侵權（包括疏失）、嚴格產品責任或任何其他訴訟事由或法律或公正理論，上述例外都適用。部分州和國家 / 地區不允許排除或限制附帶或因果性損害，因此本有限保固的限制或例外可能不適用於您。

Varjo 員工或代表或其附屬公司或任何第三方皆無權修改、延長或增加本有限商業保固或這些條款中的任何部分。

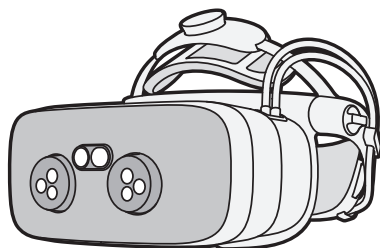
6. 通則

6.1 本有限保固受芬蘭法律約束，其法律選擇規定除外。《聯合國國際商品銷售合約公約》不適用。本有限保固衍生的任何爭議、糾紛或索賠根據芬蘭商會的仲裁規則進行最終裁定。仲裁地為赫爾辛基。仲裁語言為英語。

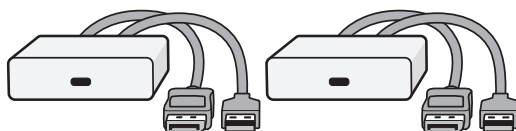
6.2 如果發現本有限保固的任何規定違法、無效或任何司法管轄區的法律無法執行，不影響本有限保固任何其他規定的合法性、有效性和可執行性。

XR-3

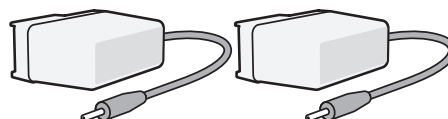
ערכת מציאות משולבת



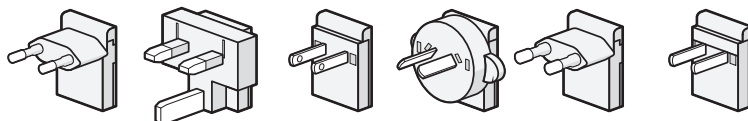
2 מתאמים לערכה



2 יחידות ספק כוח



6 תקעים לחשמל, 2 מכל סוג



אירופה

בריטניה

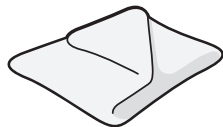
ארה"ב

אוסטרליה

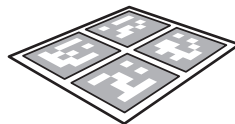
קוריאה

סין

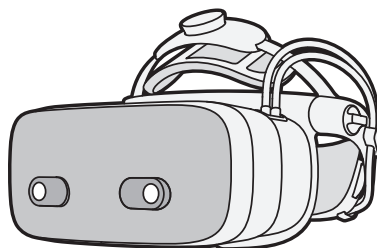
מטלית ניקוי



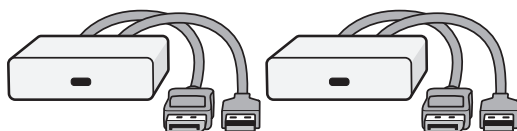
סמן ייחוס Varjo



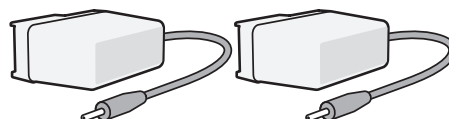
המודם תואיזם תכרע



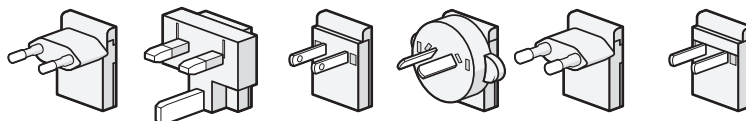
2 מתאמים לערכה



2 יחידות ספק כוח



6 תקעים לחשמל, 2 מכל סוג



אירופה

בריטניה

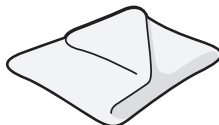
ארה"ב

אוסטרליה

קוריאה

סין

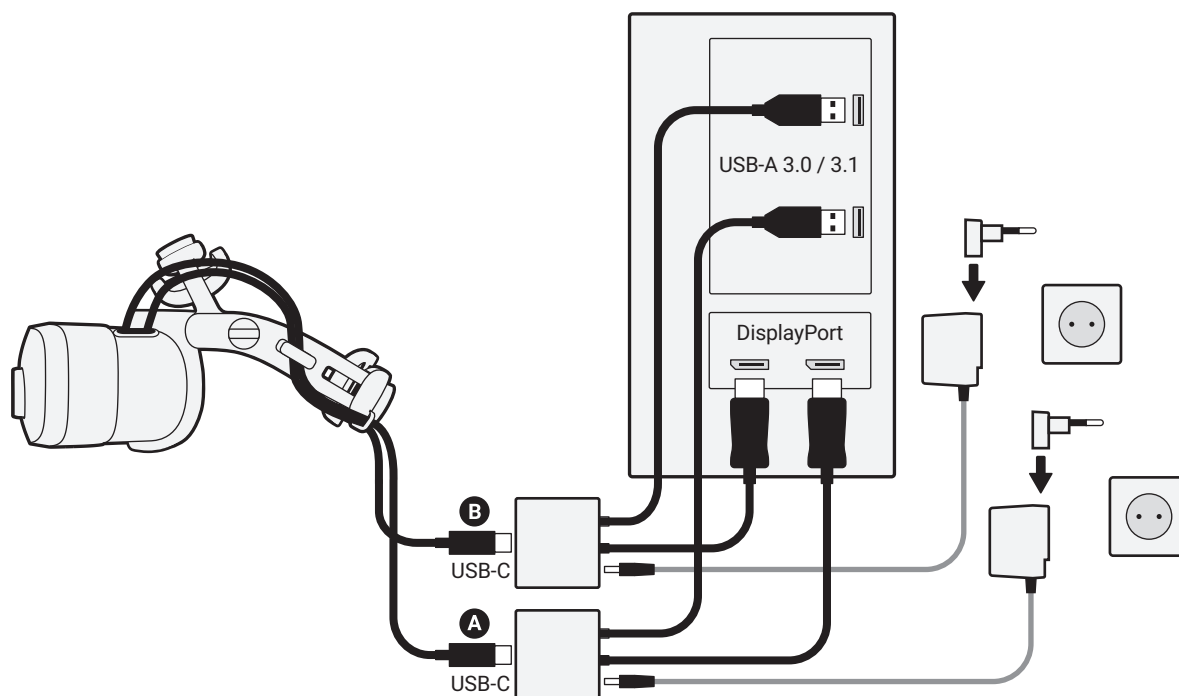
מטלית ניקוי



חיבור הערכה

הערכות של Varjo תואמות למחשבים שמותקנת בהם מערכת הפעלה Windows.

1. **A** ו**B** : חבר כל כבל ערכה למתאם ערכה.
 2. מתאמי ערכה: חבר כל מתאם ליציאת DisplayPort שבכרטיס הגרפי ואל יציאת ה-USB-A 3.0/3.1 שבלוח האם.
- לפירוט נוסף בנוגע לדרישות המערכת, בקר באתר varjo.com/start/system.



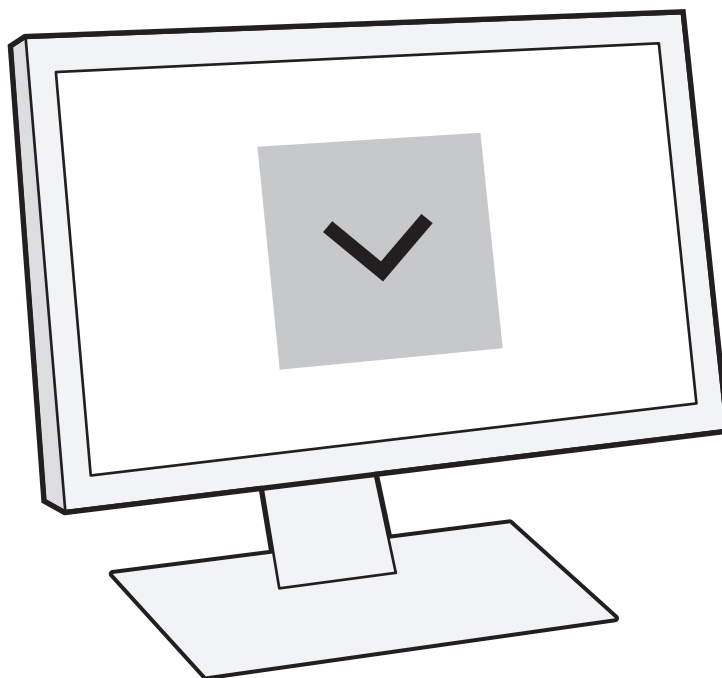
הורדת Varjo Base

Varjo Base היא התוכנה שבה נעשה שימוש להפעלת הערכה במחשב שמוותקנת בו מערכת הפעלה Windows. הורד את Varjo Base כדי להתחיל.

1. עבור אל [varjo.com/start](https://www.varjo.com/start).
2. צור חשבון Varjo.
3. הורד והפעל את Varjo Base.
4. פעל בהתאם להוראות ההתקנה.

תזדקק למינוי תקף כדי להשתמש בערכה.

תוכל למצוא מידע נוסף באתר [varjo.com/subscriptions](https://www.varjo.com/subscriptions).



חבישת הערכה

כדי לחבוש את הערכה, הנח את חזית הערכה על הפנים ומשוך את רצועת הראש כך שתחבוק את חלקו האחורי של ראשך. ניתן להמשיך להרכיב את רוב סוגי המשקפיים עם עדשות רגילות בעלות מוקד אחד בעת השימוש בערכה.

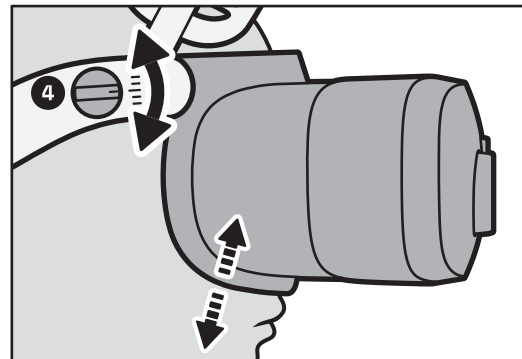
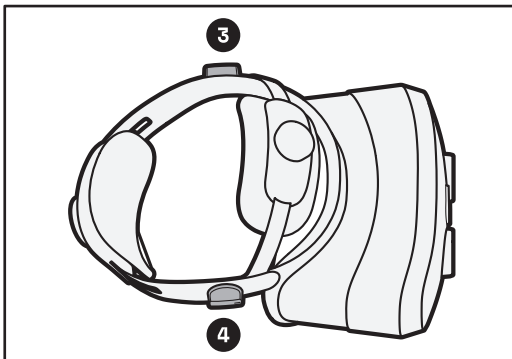
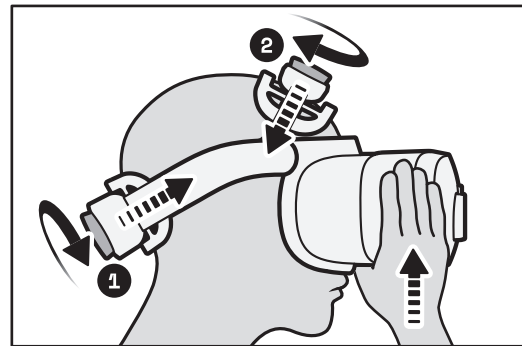
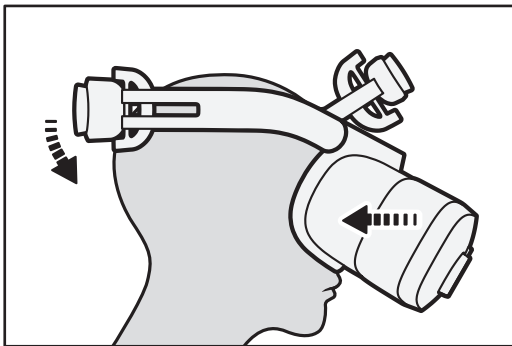
בעת חבישת הערכה, כוון את התאמת הערכה לנוחיותך:

1 : סובב את גלגל הכוונון האחורי כדי להדק את רצועת הראש.

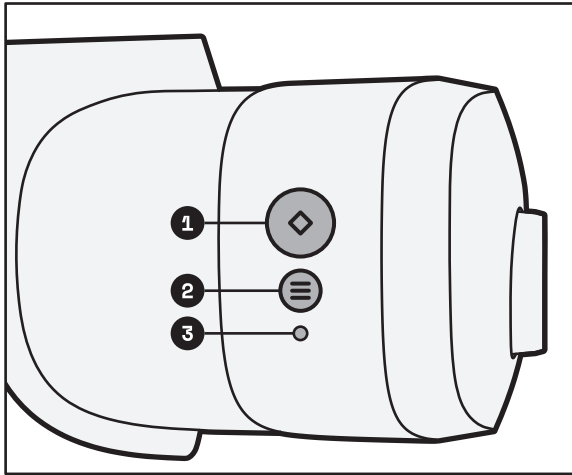
2 : סובב את גלגל הכוונון הקדמי כדי להזיז את הערכה למעלה או למטה על ראשך. תמוך בערכה בידך במהלך הכוונון.

3 וכן **4** : השתמש בכפתורי הצד כדי לכוון את התאמת הערכה להיקף פניך.

הערכה מכוונת בצורה נכונה כאשר היא ממוקמת בנוחות על ראשך והתמונה שמוצגת בתוך הערכה חדה וברורה.



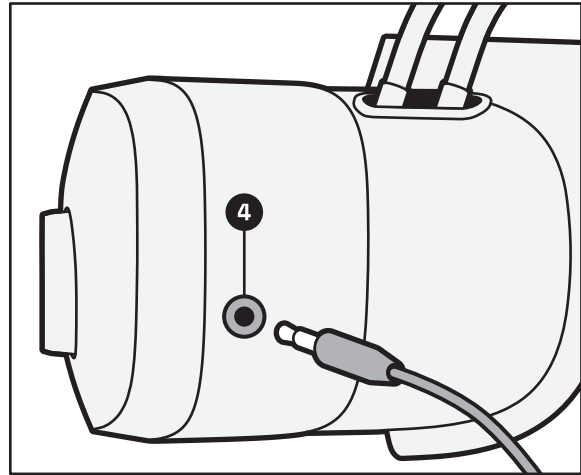
שימוש בערכה



1 לחצן פעולה: אינטראקציה עם היישומים שלך

2 לחצן תפריט: פתיחת התפריט

3 נורית מצב LED



4 מחבר אוזניות

| מופע נורית ה-LED | מצב הערכה |
|------------------|---------------------|
| לבן (מהבהב) | הפעלה |
| ירוק (קבוע) | עבודה רגילה |
| ירוק (פעימות) | מצב המתנה |
| ירוק (מהבהב) | כיבוי |
| כתום (קבוע) | Varjo Base לא פועלת |

ניקוי הערכה

יש לנקות את הערכה בקביעות, במיוחד אם נעשה בה שימוש משותף עם אחרים.

עדשות הערכה: יש לנקות בעדינות עם מגבונים לעדשות אופטיות או במטלית מיקרו-סיבים לעדשות.

גוף הערכה, כריות, אזור האף והאזורים שמסביב לעדשות: יש לנקות בעזרת מגבונים אנטי-בקטריאליים עדינים.

ניתן לרכוש כריות נוספות בחנות [Varjo Store](#).

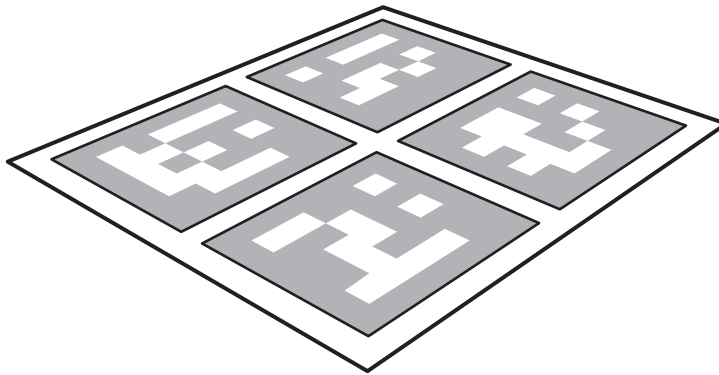


שימוש בסמן הייחוס של Varjo

השתמש בסמן הייחוס של Varjo כדי לשפר את דיוק המעקב של Varjo מבפנים החוצה.

מעקב מבפנים החוצה של Varjo זמין עבור ערכת מציאות משולבת של XR-3 של Varjo.

לקבלת מידע נוסף, בקר בדף varjo.com/start/get-to-know-your-headset.



מידע על המוצר ואמצעי בטיחות

ייעוד השימוש

הערכה נועדה למבוגרים בלבד ולשימוש בתוך מבנה. שימוש בערכה באופן שמנוגד לייעודה עלול להוביל לתקלות בערכה.

שימוש בסיכון גבוה

התוכנות ו/או המוצרים של Varjo לא עוצבו, הונדסו או הוסמכו לבקרה של כל ציוד או מערכת, לרבות ציוד או מערכות תעופה, תעשייה, מסחר, צבא או רפואה, באופן שבו כל שימוש מעין זה או תקלה בתוכנות או במוצרים עלולים להוביל בסבירות גבוהה למוות או לנזקי גוף משמעותיים של כל אדם או בעל חיים, או לנזקים פיזיים או סביבתיים חמורים ("שימוש בסיכון גבוה"). Varjo ממליצה בחום להימנע משימוש בתוכנות או במוצרים לכל שימוש בסיכון גבוה. אם בכל זאת תחליט להשתמש בתוכנות ו/או במוצרים לשימוש בסיכון גבוה, כל שימוש מעין זה ייעשה על אחריותך בלבד, אתה תישא בכל החבות הקשורות בכל שימוש מעין זה, ואתה מסכים לנקוט כל אמצעי זהירות סביר כדי למזער כל סיכון לנזק שיגיע מכל שימוש בסיכון גבוה מעין זה ו/או מכל כשל בתוכנות ו/או במוצרים במהלך כל שימוש בסיכון גבוה מעין זה.

תווית סוג המוצר

שם הדגם והמספר הסידורי של הערכה מודפסים על תווית הסוג שנמצאת בתומך שמוקדם בגב רצועת הראש.

אזהרות בטיחות וגהות

כדי לצמצם את הסיכון לפציעה, אי-נוחות או נזק לרכוש, יש לוודא שכל המשתמשים בערכה קראו היטב את האזהרות שלהלן לפני עשיית שימוש בערכה.

⚠️ לפני השימוש בערכה

לחויית מציאות משולבת או מדומה נוחה נדרשת תחושת תנועה ושויון משקל נקיים מהפרעות. אין להשתמש בערכה בכל מצב של מחלה, עייפות, ישנוניות, תחת השפעת סמים או אלכוהול, חמורמות, בעיות עיכול, לחץ רגשי או חרדה, צינון, שפעת, מיגרנה, כאב ראש, או בכל מצב שבו אינך חש בטוב, כיוון שהשימוש עלול להוביל להחמרת המצב. יש להיוועץ ברופא לפני השימוש בערכה במקרים הבאים: בעיה רפואית שעלולה לפגוע בראייה או בניידות, היריון, גיל מבוגר, בעיית לב או כל בעיה רפואית חמורה אחרת, התקפים, מיגרנות או מחלות נפש.

⚠️ סביבה בטוחה

ערכות Varjo מפיקות חויית מציאות משולבת או מדומה סוחפת שעלולה להסיח את הדעת ולהקשות על ראיית הסביבה הממשית.

- יש לזכור שכל אובייקט וירטואלי שמוצג אינו קיים בסביבה האמיתית, ושהגודל והמיקום שלו אינם ממשיים. אין לנסות לשבת על אובייקטים וירטואליים או להשתמש בהם לקבלת תמיכה. יש להיזהר מאובייקטים ממשיים שעשויים להימצא מאחורי אובייקטים וירטואליים.
- לעולם אין להשתמש בערכה במצבים שדורשים תשומת לב, כגון בעת הליכה, רכיבה על

אופניים או נהיגה. אין להשתמש בערכה בעת שהות בתוך כלי רכב נוסע.

- יש לזכור כי בעת השימוש בערכה, ייתכן שלא תבחין באנשים שנכנסים לאזור.
- לפני השימוש בערכה, יש לפנות את האזור ממכשולים ומסכנות, מאנשים, מרהיטים ומכל פריט אחר שעשוי למנוע תנועה חופשית. כמו כן, יש לוודא שיש מספיק מרחב מעליך ומסביבך כדי שתוכל לפרוש זרועות בעת שימוש בערכה.
- אין להשתמש בערכה ליד קירות, מדרגות, מרפסות, חלונות, דלתות פתוחות, תקרות נמוכות, מאווררי תקרה, גופי תאורה, חפצים שבירים, אש גלויה, מקורות חום, או כל דבר אחר שניתן להיתקל בו או להפיל אותו.
- יש להקפיד לזכור את מיקום הכבלים וחוטי החשמל כדי להימנע מהליכה או מעידה עליהם, או ממשיכתם בעת השימוש בערכה. אין למשוך, לקשור או לכופף את הכבלים או החוטים.
- אין להחזיק חפצים חדים או מסוכנים אחרים בעת השימוש בערכה.

⚠️ אי-נוחות

בעת השימוש בערכה, יש אנשים שעשויים לחוות יובש בעיניים, תחושת מאמץ בעיניים, עוויתות בעיניים או שבירים, תנועות בלתי רצוניות, שינוי בראייה או ראייה מטושטשת או כפולה, או אירועי ראייה חריגים אחרים, סחרחורת, טשטוש, חוסר אוריינטציה, אי-נחת או כאב בראש או בעיניים, כאבי ראש, פגיעה בשינוי המשקל, פגיעה בתיאום עין-יד, הזעה מוגברת, הזלת ריר מוגברת, בחילה, עייפות, אובדן מודעות, או התקפים ותסמינים אחרים של מחלת ים.

בעת התחלת השימוש בערכה, יש להקפיד שמשכי ההפעלה הראשוניים יהיו קצרים וילוו בהפסקות קבועות. אם מתעוררת תחושת אי-נוחות, יש להפסיק להשתמש בערכה ולהמשיך רק לאחר שהתסמינים יחלפו. אין לנהוג, להפעיל מכונות או לקחת חלק בכל פעילות אחרת שדורשת אימוץ ראייה או מאמץ פיזי עד להתאוששות מלאה מכל התסמינים. יש לשקול להיוועץ ברופא אם אובייקטים וירטואליים אינם נראים באופן ברור ובנוחות.

⚠️ שימוש יתר

יש לערוך הפסקות קבועות בעת השימוש בערכה. שימוש ממושך עלול לפגוע בתיאום עין-יד או בשינוי המשקל ועלול להוביל להשפעות שליליות אחרות.

⚠️ פציעות עקב מאמץ חוזר ונשנה

יש למקם את הערכה באופן נוח בעת השימוש. אין להפעיל כוח רב מדי בעת אחיזה בערכה או בעת לחיצה על לחצניה. אם חווים תחושת נמלול, צריבה, נוקשות, כאב פועם או כל חוויה אחרת של אי-נוחות, יש להפסיק להשתמש בערכה ולנוח עד שכל התסמינים חלפו. אם התסמינים ממשיכים, יש להיוועץ ברופא.

⚠️ הפרעה לפעולתם של התקנים רפואיים

הערכה עשויה לפלוט גלי רדיו, העלולים להשפיע על פעולתם של מכשירים אלקטרוניים סמוכים, לרבות קוצבי לב, עזרי שמיעה ודפיברילטורים. אם אתה משתמש בקוצב לב או בהתקן רפואי מושל, אין להשתמש בערכה מבלי להיוועץ לפני כן ברופא או ביצרן של ההתקן הרפואי. יש לשמור על מרחק בטוח בין הערכה להתקן הרפואי, ולהפסיק להשתמש בערכה אם היא פוגעת בפעולת ההתקן הרפואי.

⚠️ אובדן שמיעה

חשיפה מופרזת לצלילים חזקים עלולה לפגוע בשמיעה. בעת שימוש באוזניות ביחד עם הערכה, יש להתחיל בעוצמת שמע נמוכה ולהגביר אותה בהדרגה במקרה הצורך. אין להגביר את השמע לעוצמה גבוהה מדי.

⚠ התקפים

יש אנשים שעלולים לחוות סחרחורת חמורה, התקפים אפילפטיים או התעלפויות שייגרמו עקב הבקיה אורות, תבניות אורות, או חשיפה למקורות אור אינפרה-אדום של אמצעי מעקב אחר העין, גם אם לא חוו מקרים כאלה בעבר. אם חווים כל אחד מהתסמינים הללו, יש להפסיק את השימוש בערכה ולהיוועץ ברופא. משתמשים שחוו בעבר תסמינים כאלה צריכים להיוועץ ברופא לפני השימוש בערכה. לצמצום הסבירות להתקף, אין להשתמש בערכה במצב של עייפות.

⚠ ללא הגנה על העיניים

הערכות של Varjo אינן מספקות לעיניים הגנה מפני מכות, פסולת, כימיקלים, אור אולטרה-סגול, צורות מיוקת אחרות של אור, חלקיקים, קליעים או סכנות פיזיות אחרות.

⚠ התחשמלות

אין לנסות לפרק, לפתוח, לתקן או לשנות את הערכה או את יחידת ספק הכוח, כיוון שפעולות אלה עלולות להביא להתחשמלות או לסכנות אחרות ולגרום נזק לערכה או ליחידת ספק הכוח. עבור ציוד שכולל תקע לחיבור למקור חשמל, יש לוודא שהשקע נמצא בקרבת הציוד ובמקום נגיש בקלות. יש להשתמש בערכה רק עם יחידת ספק הכוח (Adapter Technology Co., Ltd.) קלט אוניברסלי (ATSo36T-W120V (Level VI $1A, 50 \sim 60 \text{ Hz} / 100 \sim 240 \text{ Vac}$ +12V / 0~3A ועם מתאם הערכה שכלולים באריזה הנמכרת. השימוש ביחידות ספק כוח אחרות עלול להיות מסוכן.

מוצר לייזר דרגה 1

(חל רק על ערכת המציאות המשובטת Varjo XR-3)

⚠ התקן פגום או שבור

אין להשתמש בערכה אם חלק כלשהו שלה שבור או ניווק, אם הכבלים המסופקים קרועים או אם החוטים חשופים. אין לנסות לתקן כל חלק של הערכה לבד. על כל התיקונים להתבצע אך ורק על ידי מתקן שירות מורשה או על ידי Varjo.

⚠ מחלות מידבקות

כדי להימנע מהפצת מחלות מידבקות מאדם לאדם, אין לחלוק את הערכה עם אנשים החולים במחלות מידבקות, במיוחד כאלה הקשורות לעיניים, לעור או לקרקפת.

⚠ גירוי בעור

יש להפסיק להשתמש בערכה בכל מקרה של הופעת נפיחות, גרד או גירוי אחר. אם התסמינים ממשיכים, יש להיוועץ ברופא.

מידע על בטיחות

כדי למנוע פציעה של המשתמש או של אחרים או נזק לערכה, יש לקרוא את תונוי הבטיחות הללו לפני השימוש בערכה.

חבישת הערכה

בעת חבישת הערכה בפעם הראשונה, יש לפעול בהתאם להנחיות למיקום נכון של הערכה על הראש. הערכה מכוונת בצורה נכונה כאשר היא ממוקמת בנוחות על הראש והתמונה שמוצגת בתוך הערכה חדה וברורה. הערכה לא אמורה להכאיב או לגרום תחושת לחץ על הראש, והכריז אמורה להתאים בנוחות לפניכם.

בעת חבישת הערכה, היא תתאים את העדשות באופן אוטומטי למרחק בין אישוני המשתמש. הגדרה זו מופעלת כברירת מחדל. מומלץ לשמור על ההגדרה מופעלת. ש לכבות את ההגדרה אם הכוונן האוטומטי אינו פועל כראוי עבור המשתמש, לדוגמה, עקב הרכבת משקפיים או כל מצב אחר שפוגע בראייה. כיבוי הכוונן האוטומטי עלול להוביל לתחושת חוסר נוחות בעת השימוש בערכה.

תאורה

יש להשתמש בערכה בסביבה מאורת היטב לשם קבלת הביצועים המיטביים של המצלמות המתוקנות בערכה. יש לזכור שמשטחים היוצרים השתקפות עלולים להפריע למעקב המיקום.

טיפול ותחזוקה

יש לטפל בערכה בוהירות ולשמור אותה במקום נקי וללא אבק.

אור שמש ומקורות אור חיצוניים

אין להשאיר את הערכה במקום חשוף לשמש ישירה או לקרינה אולטרה-סגולה חזקה. חשיפה לשמש ישירה עלולה לפגוע ברכיבים האופטיים ובתצוגה. אין להקרין לייזר או מקור אור חיצוני דרך העדשות.

⚠ נזק

- אין להפיל או לכופף את הערכה או להטיח אותה בחפצים אחרים, מכיוון שפעולות אלה עלולות להשפיע על כיוול עדשות המצלמות.
- אין לשרוט את עדשות המצלמות.
- יש להרים את הערכה על ידי אחיזה בגוף הערכה או ברצועת הראש.
- אין להרים את הערכה על ידי אחיזה בכריות או בכבלים.
- אין לדרוך על הכבלים.

⚠ נזק המחייב טיפול

יש להשתמש אך ורק בשירותיהם של עובדים המוסמכים לטפל בערכה. יש לפנות למתקן שירות מורשה אם:

- הערכה נחשפה לנוזל או נפלה.
- הערכה ספגה חבטה או נזק.
- הערכה מתחממת יתר על המידה.
- הערכה אינה פועלת כרגיל בעת ביצוע הוראות ההפעלה.

ניקוי

יש לנתק את הערכה ממקור החשמל לפני הניקוי. יש לנקות את גוף הערכה באמצעות מגבונים אנטי-בקטריאליים עדינים. אין להשתמש בסבון, בכימיקלים אלימים, באלכוהול, בתמיסות ניקוי, בחומרי ניקוי נוזליים או בתרסיסים. לעולם לא להשתמש במים כדי לנקות את הערכה. יש לנקות את עדשות הערכה ואת הלוח הקדמי בעדינות באמצעות מגבונים ניקוי עדשות אופטיות או מטלית מיקרו-סיבים לניקוי עדשות. אין לנקות את העדשות בחומרי ניקוי נוזליים או כימיים. יש לנקות את הכריות באמצעות מגבונים אנטי-בקטריאליים עדינים.

טמפרטורת ההתקן

התחממות הערכה במהלך השימוש והיותה חמימה למגע הן תופעות נורמליות. המצלמות הפונות לחזית ומשטחי האורז עשויים להתחמם במיוחד. מגע ממושך של העור עם ערכה חמה למגע עלול להוביל לתחושת אי-נוחות בעור, לאדמומיות או לכוויות הנובעות מטמפרטורות לא גבוהות. אם הערכה חמה למגע או חמה באופן שגורם לאי-נוחות, יש להפסיק להשתמש בה ולאפשר לה להתקרר.

אבזורים

אין להשתמש בערכה יחד עם כל אבזר או תוכנה בלתי מורשים או לא תואמים. השימוש בתכונות או באבזורים בלתי מורשים עלול לגרום לפגיעה בביצועים או לפגיעה ולנזק. עיין באתר varjo.com/support לרשימת התוכנות והאבזורים התואמים.

סביבת הפעלה ואחסון

מיקום

יש להשתמש בערכה אך ורק באזורים מאווררים כהלכה.

- אין לכסות את הערכה.
- אין לכסות את פתחי האורז שבחלקה העליון או התחתון של הערכה.
- אין להניח את הערכה לצד חפצים שעלולים לשרוט את העדשות.
- אין לחשוף את הערכה לאש גלויה או למוצרים פולטי עשן.
- אין להניח את הערכה לצד מקורות חום או במקומות חמים, או לחשוף אותה לטמפרטורות קיצוניות.
- אין להשתמש בערכה בקרבת מים או נוזלים אחרים.
- אין להשתמש בערכה לאחר שינוי קיצוני במידות החום. בעת העברת הערכה בין סביבות שמתאפיינות בתנאי טמפרטורה ו/או לחות שונים מאוד, אדים עלולים להתעבות על פני הערכה או בתוכה. יש לאפשר יד וזמן לאידוי הלחות לפני השימוש בערכה.

הערה: בעת העברת הערכה מטמפרטורה נמוכה לסביבה חמה יותר או להיפך, יש להמתין עד שהערכה תותאם לטמפרטורת החדר לפני הפעלתה. יש להשתמש בערכה בטמפרטורה שנהה בין 10°C ל- 27°C . כדי לצמצם את הסיכוי לנזק בלתי מכוון, יש לאחסן את הערכה באריזה שבה הגיעה בטמפרטורה שנהה בין 0°C ל- 40°C .

תדרי רדיו

| הספק פלט מרבי | תדר | דירוג | רכיב |
|---------------|----------------|---------|------|
| 1 mW | 2.402–2.48 GHz | 12V, 3A | ערכה |

מחזור

הנחייה 2012/19/EU בנוגע לפסולת חשמל וציוד אלקטרוני (WEEE), שנכנסה לתוקף ב-13 בפברואר 2003, הביאה לשינוי מהותי באופן הטיפול בציוד אלקטרוני בסוף חייו. יש לבדוק את התקנות המקומיות בנוגע להשלכה נכונה של מוצרי אלקטרוניקה.

סמל פח האשפה המסומן ב-X ומופיע על הערכה, הסוללה, החומרים הכתובים או האריזה נועד להזכיר שיש לקחת את כל מוצרי החשמל והאלקטרוניקה, הסוללות וחומרי האריזה הממושים לאתרי איסוף שונים בתום חיי השירות שלהם. אין להשליך מוצרים אלה כאשפה רגילה לא ממוינת, אלא להעביר אותם למיחזור. למידע בנוגע לנקודת המחזור הקרובה למקום מגוריך, צור קשר עם הרשות המטפלת בפסולת באזורך.

CE הודעה עבור האיחוד האירופי

Varjo מצהירה בזאת שערכות HS-5 ו-HS-6 עומדות בדרישות של הנחייה 2014/53/EU. הנוסח המלא של הצהרת התאימות לאיחוד האירופי מופיע באתר האינטרנט הבא: varjo.com/compliance.

הערה: ציוד זה נבדק ונמצא שהוא עומד במגבלות שנקבעו עבור קריטריון C.

פריקה אלקטרוסטטית ישירה של $500V \pm$ או יותר למערך המצלמות עלולה לפגוע בתפקודו. ייתכן שיהיה צורך להפעיל את מערכת המצלמות מחדש כדי להשיבה לתפקוד מלא.

FC מידע FCC ו-ISED למשתמש

הערה: ציוד זה נבדק ונמצא שהוא עומד במגבלות שנקבעו עבור התקן דיגיטלי מרמה A, בהתאם לפרק 15 של כללי ה-FCC. מגבלות אלה נועדו לספק הגנה סבירה מפני הפרעות מייקוט בעת הפעלת הציוד בסביבה מסחרית. ציוד זה מפיץ אנרגיית תדרי רדיו, עושה בה שימוש ויכול להקרינה, ואם התקנתו והשימוש בו לא יתבצעו בהתאם להוראות המדריך, הוא עלול לגרום להפרעה מוזיקה לשידורי רדיו. הפעלת ציוד זה באזור מגורים עלולה במידה רבה על סבירות לגרום להפרעה מוזיקה. במקרה זה, המשתמש יידרש לתקן את ההפרעה על חשבונו.

התקן דיגיטלי זה מרמה A ותואם לתקן הקנדי ICES-003. Canadianne ICES-003.

הצעת קליפורניה 65

אזהרה: סרטן – www.P65Warnings.ca.gov



הצהרת תאימות ל-FCC ו-ISED

התקן זה מותאם לפרק 15 של כללי ה-FCC ולכללי RSS-247 של הרשות לפיתוח חדשנות, מדע וכלכלה בקנדה (Innovation, Science and Economic Development Canada). ההפעלה כפופה לתנאים הבאים:

(1) התקן זה לא יגרום להפרעה מוזיקה כלשהי, וכן

(2) ההתקן נדרש לקבל כל הפרעה, לרבות הפרעה שעלולה לגרום לפעולה לא רצויה.

כל שינוי שלא אושר במפורש על ידי הגורם האחראי על ציות ותאימות עלול לבטל את הרשאות של המשתמש להפעיל את הציוד.

הצהרת FCC ו-ISED לגבי חשיפה לקרינה

פריט ציוד זה עומד במגבלות החשיפה לקרינה של ה-FCC ושל קנדה כפי שנקבעו עבור סביבות לא מבוקרות. אין למקם משדר זה לצד כל אנטנה או משדר אחר, ואין להפעילו בשילוב עם כל אנטנה

או משדר אחר. עמידה בדרישות RoHS

פריט ציוד זה עומד בדרישות הנחיה 2011/65/EU של הפרלמנט האירופי ושל ישיבת המועצה מיום 8 ביוני 2011, בדבר הגבלת השימוש בחומרים מסוכנים מסוימים בצידוד חשמל ואלקטרוניקה (RoHS), וגם בדרישות שנקבעו בתקוניה.

אחריות עסקית מוגבלת של Varjo

מוצר Varjo נועד לשימוש עסקי ולא נועד למכירה לצרכנים. אחריות עסקית מוגבלת זו מעניקה זכויות משפטיות מיוחדות, לצד זכויות משפטיות אחרות שמקובלות בהתאם למדינה ולאורך.

1. הגדרות.

ההגדרות הבאות חלות על אחריות מוגבלת זו:

- "מוצר Varjo" פירושו ערכת Varjo וכל האביזרים המסופקים בתוך האריזה בזמן הרכישה המקורית ממשווק מורשה או מ-Varjo ("משווק מורשה").
- "אתה" ו"שלך" מתייחסים למשתמש העסקי המקורי שרכש את מוצר Varjo ממשווק מורשה.
- "תקופת האחריות" היא שנים עשר (12) חודשים מהתאריך רכישת מוצר Varjo ממשווק מורשה.
- "תנאי שימוש רגילים" פירושו שימוש עסקי רגיל בהתאם למדריך למשתמש.
- "מדריך למשתמש" פירושו כל הוראות השימוש, הנחיות הבטיחות והמסמכים האחרים המסופקים באריזה או שפורסמו ברשת האינטרנט על ידי Varjo.

2. כיסוי

Varjo מתחייבת כלפיך באופן בלעדי, שבמהלך תקופת האחריות, תנאי שימוש רגילים, המוצר של Varjo יתפקד מכל בחינה מהותית בהתאם למפרטים הטכניים של Varjo. אחריות מוגבלת זו אינה מסכה כל תוכנה או מוצר אחר שנדרשים לשם שימוש במוצר Varjo שאינם נמצאים באריזה במועד הרכישה המקורית של מוצר Varjo. מוצרים אלה כפופים לתנאי שימוש או לתנאים אחרים משהלם, גם אם נועדו או הותוו לשימוש יחד עם מוצר Varjo.

אחריות מוגבלת זו תקפה וניתנת לאכיפה רק אם מוצר Varjo החדש נרכש ממשווק מורשה, ואם מוצר Varjo נמכר בארצות המקורית והחתומה. אינך רשאי להעביר או להמחית אחריות מוגבלת זו לכל צד שלישי כלשהו, אלא אם מגבלה זו אסורה על פי החוק החל.

אם מוצר Varjo יחזור במהלך תקופת האחריות והוא יעמוד בתנאיה של אחריות מוגבלת זו, Varjo או שותף השירות שלה יתקנו או יחליפו אותו, בהתאם לשיקול דעתם הבלעדי.

תיקון או החלפה עשויים לדרוש שימוש במוצר Varjo משופץ בעל תפקודים שווים ערך ו/או בחלקים משופצים בעלי ביצועים שווים ערך, אלא אם הדבר אסור בחוק. בעת החלפת מוצר Varjo, תהיה רשאית להחליף אותו בפריט אחר מאותו דגם, או, אם אין כזה בנמצא, בפריט מדגם שקרוב ביותר לדגם המקורי. Varjo או שותף השירות שלה יישבו את מוצר Varjo

המתוקן או המוחלף אליך על חשבונם. כל מוצר Varjo שיישלח אל Varjo ושוחרף על ידי Varjo יהפוך להיות רכוש של Varjo.

אם Varjo תתקן או תחליף את מוצר Varjo, מוצר Varjo המתוקן או המוחלף ימשיך ליהנות מאחריות למשך שארית תקופת האחריות המקורית או למשך תקופה של שלושה (3) חודשים ממועד התיקון או ההחלפה, הארוך מבין השניים.

התיקון או ההחלפה של מוצר Varjo הם הסעד היחיד והבלעדי שלו תהיה זכאי, והם החובה היחידה שתהיה ל-Varjo בכל מקרה של כל תביעה כלשהי או בגין כל הפסד עשוי להיגרם עקב הכשל במוצר Varjo. אם נקבע, בהתאם לשיקול דעתנו הבלעדי, שאף אחד מהאמצעים שנמנו לעיל אינו מהווה דרך סבירה לתיקון הפגם או התקלה, אנו עשויים להציע החזר של המחיר ששולם בעת רכישת המוצר.

אחריות מוגבלת זו היא האחריות הסופית, המלאה והבלעדית ש-Varjo מציעה בכל הקשור למוצר Varjo, ואף אדם או ישות אחרים (לרבות המשווק המורשה) אינם מורשים להציע כל התחייבות או מצג אחרים בשמה של Varjo. להוציא ההתחייבויות המוגבלות המפורשות שקובעות באחריות מוגבלת זו, Varjo מתנערת מכל אחריות או מצג מפורשים או משתמעים אחרים מכל סוג שהוא, לרבות כל אחריות משתמעת לסחירות ולכשירות למטרה מסוימת. להוציא כל מקום שבו נאמר אחרת באחריות מוגבלת זו, כל מוצריה של Varjo מסופקים "כפי שהם" ו"עם כל התקלות". אם ובמידה שלא ניתן להתנער מאחריות משתמעת כלשהי, משך תקופה יוגבל לתקופת האחריות. אם החוק החל עליך אינו מתיר הטלת מגבלות על משך חלותה של אחריות משתמעת, מגבלה זו עשויה שלא לחול עליך.

במקרה שאינך הרוכש המקורי של מוצר Varjo, אחריות מוגבלת זו אינה חלה עליך. אם תקופת האחריות פקעה, אם מוצר Varjo אינו עומד בתנאים שנקבעו באחריות מוגבלת זו, או אם התביעה להפעלת האחריות לא הוגשה בהתאם להוראותיו של סעיף 5, אחריות מוגבלת זו לא תחול. במקרים שבהם אחריות מוגבלת זו אינה חלה, Varjo תהיה רשאית להציע בתשלום שירות שלא במסגרת האחריות, ואתה עשוי לשאת באחריות לכל הוצאה הקשורה בתיקון או בהחלפה של מוצר Varjo שלך.

3. איך מקבלים שירות?

אם יש בעיה במוצר Varjo שלך, יש לפנות אלינו בכתובת varjo.com/support לקבלת סיוע ופרטים לצירת קשר, וכן כדי להגיש תופס תביעה לשירות במסגרת האחריות. אם תצטרך לשלוח את מוצר Varjo שלך לקבלת טיפול, נספק לך הנחיות לגבי אופן ביצוע הדבר. ייתכן שתידרש לשלם את עלות המשלוח של מוצר Varjo אלינו. כאשר נקבל את מוצר Varjo, נקבע אם יש פגם או תקלה שמכוסים על ידי אחריות מוגבלת זו. אם נמצא פגם או תקלה שמכוסים באחריות מוגבלת זו, אנו נתקן את מוצר Varjo או נחליפו כדי לספק לך מוצר Varjo שעומד מכל בחינה מהותית במפרטים הטכניים של Varjo בתנאי שימוש רגילים, ואנו נשלח את מוצר Varjo המתוקן או את מוצר Varjo החליפי, אם יהיה כזה, אליך ללא כל חיוב. ייתכן שלא נחזיר לך את מוצר Varjo המקורי. אם תשלח אלינו מוצר Varjo ללא קבלת תקפה, נשיב את מוצר Varjo אליך על חשבונך, בכפוף לתשלום מראש, ואם עלויות אלה לא ישולמו, נשמור את מוצר Varjo אצלנו למשך שלושים (30) ימים כדי שתוכל לבוא לאסוף אותו לפני שנשלח אותו.

4. מה לא מכוסה?

אחריות מוגבלת זו אינה מסכה את המקרים הבאים, ו-Varjo לא תישא בכל אחריות בגינם: (1) מוצרי Varjo משומשים או ששווקו מחדש; (2) מוצרי Varjo שלא נרכשו ממשווקים מורשים; או (3) כל תוכנה (לרבות, אך לא רק, כל תוכנה שמתקנת במוצר Varjo וכל תוכנת מחשב שמסופקת על ידי Varjo).

6.2 אם ייקבע שתנאי כלשהו מתנאייה של אחריות מוגבלת זו אינו חוקי, חסר תוקף או בלתי ניתן לאכיפה בכפוף לכל חוק של כל תחום שיפוט, הדבר לא יפגע בחוקיותם של שאר תנאייה של אחריות מוגבלת זו, בתקפותם או ביכולת לאכוף אותם.

בנוסף לכך, אחריות מוגבלת זו אינה מכסה נזק או אובדן שייגרמו למוצר Varjo עקב המקרים הבאים, i-Varjo לא תישא בכל אחריות בגינם: (1) תאונה (לדוגמה, חבטה לא מכוונת, חשיפה לא מכוונת לנוזל, למזון או לגורמים מזהמים אחרים, וכו') או גנבה; (2) שימוש שלא נעשה בהתאם לתנאי השימוש הרגילים או כל שימוש בלתי הולם אחר (לרבות, אך לא רק, רשלנות, שימוש לרעה או שינוי); (3) שימוש יחד עם מוצר לא מתאים שאינו נמכר על ידי Varjo או מורשה על ידיה; (4) שימוש באוורור בלתי הולם; (5) שימוש על ידי ילדים; (6) עקיפה של מנגנון הבטיחות שלנו; (7) הנדסה לאחור; (8) פגמים או נזק שייגרמו על ידי ירוסטים או בעיות תוכנה אחרות שיועלו לתוך מוצר Varjo; (9) שימוש במוצר Varjo בניגוד לכל חוק, תקנה או פקודה שחלה במקום שבו נעשה שימוש במוצר Varjo; (10) פגמים או נזק שייגרמו על ידי תיקונים בלתי מורשים; (11) אירועי כוח עליון, לרבות, אך לא רק, ברקים, שיטפונות, רעידות אדמה או סופות הוריקן; ו/או (12) נזקים קוסמטיים (למשל שריטות).

בנוסף, אחריות מוגבלת זו אינה מכסה נזק או אובדן שייגרמו למוצר Varjo עקב בלאי רגיל ומיצוי רגיל של חלקים נצרכים, i-Varjo לא תישא בכל אחריות בגינם.

לבסוף, אחריות מוגבלת זו אינה כוללת כל התחייבות ספציפית לכך שמוצר Varjo יהיה חף משגיאות, או בנוגע לזמן הפעילות או לרציפות המינות, לתכונות אבטחת הנתונים של תוכנות או של חשבונות מקוונים, או שכל תוכנה, קושחה או אתר מקוון יפעלו ללא הפרעות ושגיאות. אחריות מוגבלת זו תהיה בטלה ומבוטלת אם מוצר Varjo יוחזר עם תוויות שהוסרו, שניזוקו או ששוננו או עם כל סימן לכל שינוי אחר (לרבות הסרה הבלתי מורשית של כל רכיב או כיסוי חיצוני). [אחריות מוגבלת זו אינה מכסה אובדן נתונים. באחריותך ליצור באופן קבוע גיבוי של הנתונים שלך, בין אם באופן פיזי או אלקטרוני, אם ברצונך לשמור על הנתונים שלך. בכפוף לאחריות מוגבלת זו, לא יינתן כל החזר עבור כל נזק או עלות שיהיו קשורות לשחזור נתונים, להסרה או להתקנה.]

5. הגבלת אחריות

במידה הרבה ביותר המותרת בחוק החל, Varjo וספקיה לא יישאו בכל אחריות לכל נזק עקיף, מקרי, תוצאתי, עונשי או מיוחד, לרבות, אך ללא הגבלה, אובדן רווחים או הפסד מסחרי, הפרעה למהלך העסקים, אובדן מידע עסקי, אובדן נתונים, אובדן פרטיות, אובדן סודיות, עלות של כל טובין חלופיים או של כל ציוד חלופי או אובדן שימוש בזמן שמוצר Varjo מוחלף או נמצא בתיקון. במידה הרבה ביותר המותרת בחוק החל, סך חבות המלאה של Varjo ושל ספקיה בכפוף לאחריות מוגבלת זו יוגבל לסכום ששולם בפועל עבור מוצר Varjo. החרגות אלה יחולו על כל תביעה שתנבע מאחריות מוגבלת זו או שתהיה קשורה בה, גם אם סעד כלשהו אינו עומד במובנו היסודי או אם Varjo יודעה בדבר אפשרות התרחשותם של נזקים אלה, ללא קשר לעילת התביעה, בין אם בדיני חושים, עוולה (לרבות רשלנות), אחריות מוצר קפידה, או כל עילה מזכה או תורה משפטית או תורת דיני יושר אחרת. מדינות וארצות מסוימות אינן מתירות את החרגות של נזקים מקריים או תוצאתיים, או את הטלתן של מגבלות עליהם, כך שיתכן שהמגבלות או החרגות הקבועות באחריות מוגבלת זו לא יחולו עליך.

אף אחד מעובדי Varjo או מנציגיה או מסוכניה או כל צד שלישי אחר אינו מורשה לבצע כל שינוי, הארכה או תוספת לאחריות העסקית המוגבלת או לכל חלק מתנאים אלה.

6. תנאים כלליים

6.1 אחריות מוגבלת זו תהיה כפופה לחוקי פינלנד, להוציא כללי ברירת הדין שלהם. אמנת האומות המאוחדות בדבר חושים למכר טובין בינלאומי לא תחול. כל מחלוקת, סכסוך או תביעה שינבעו מאחריות מוגבלת זו ייושבו באופן סופי בבוררות שתתבצע בהתאם לכללי הבוררות של לשכת המסחר של פינלנד. הבוררות תתקיים בהלסינקי. הבוררות תתקיים בשפה האנגלית.



**Visit varjo.com/start for more information
and updates to these instructions.**